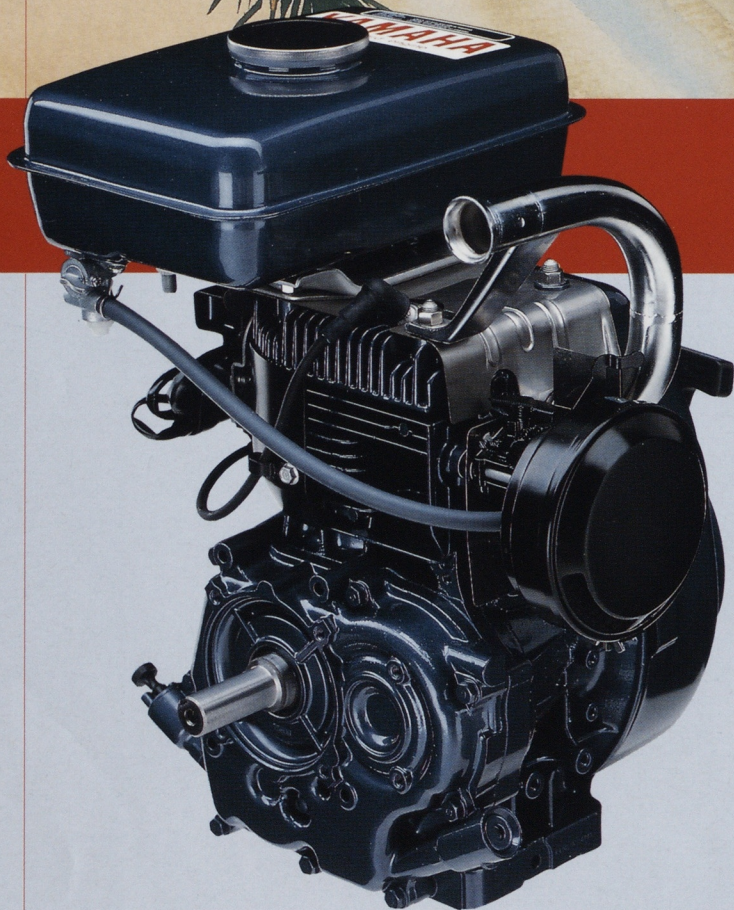
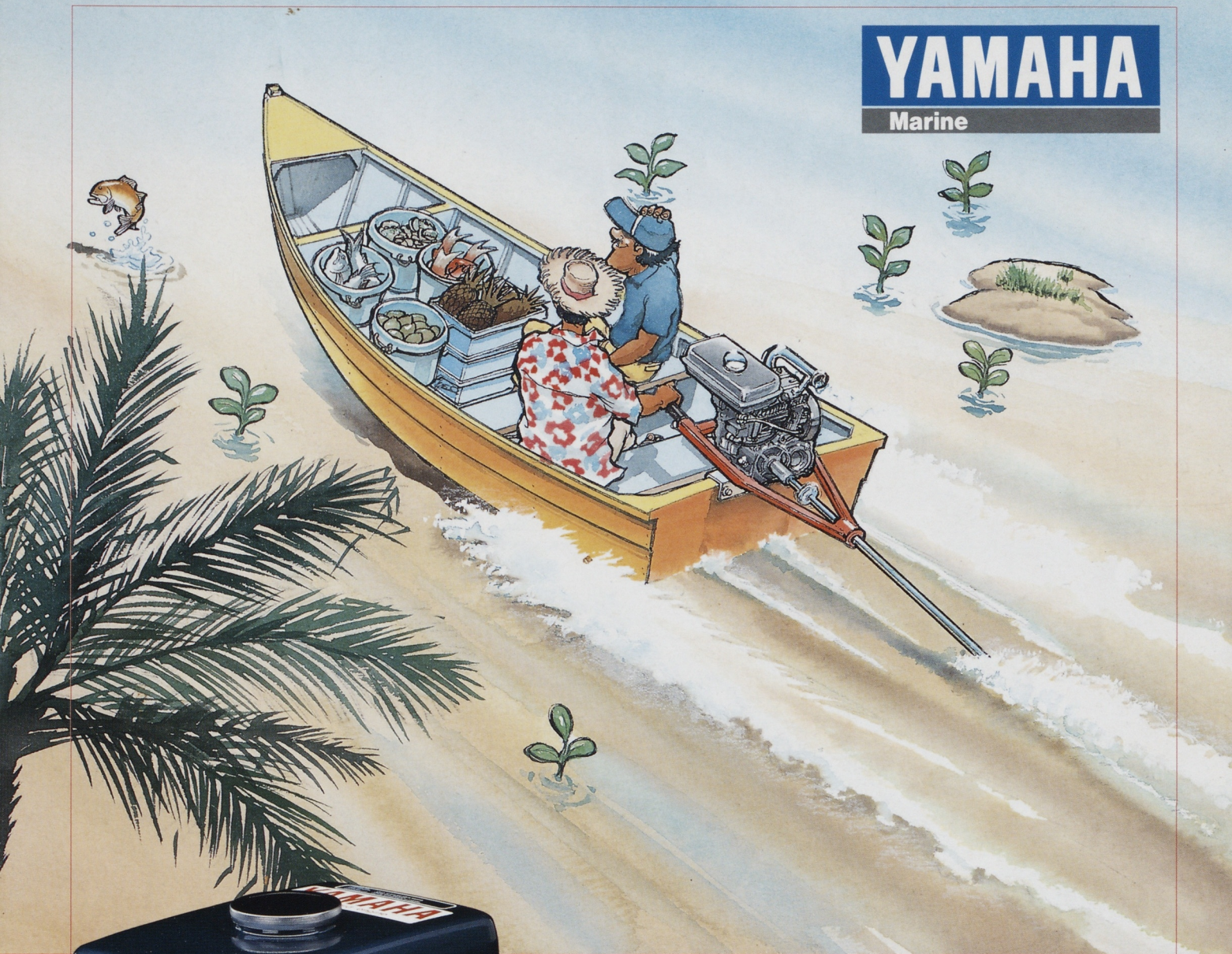


YAMAHA

Marine



OV66

YAMAHA MARINE ENGINE

The power behind bigger catches and higher profits

This marine engine is highly resistant to sea water corrosion. It is also light in weight, compact in size and low in fuel consumption, even though it provides enough power to run as fast or faster than competing engines.

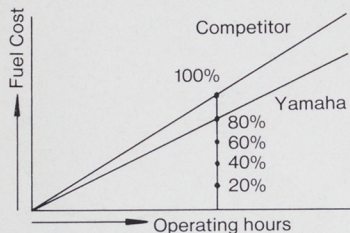
INCREASED CORROSION RESISTANCE

The engine's exterior and electrical components are made of reinforced, waterproofed and highly rust-proof materials, thus preventing corrosion by sea water. Stainless steel and a special surface treatment ensure maximum protection.

LOW FUEL CONSUMPTION

Fuel consumption is at least 20% lower than competing engines, resulting in significant savings.

FUEL COST COMPARISON



EASY INSTALLATION AND OPERATION

1) The engine's size simplifies installation in a banca boat. Replace-

ment of existing engine is easy. The output shaft is 1 inch (25.4mm) in diameter to match existing coupling.

2) The engine weight is 33.6 kg (74 lbs), at least 30% lighter than that of competing engines. It can be carried easily.

3) The manual starter makes it easy to start the engine.

4) The lead wire of the engine stop switch is fully extended so that the switch can be mounted near the operator's seat.

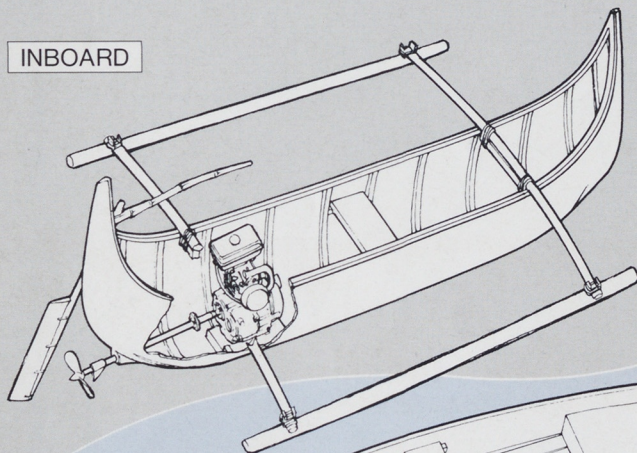
YAMAHA'S ORIGINAL DESIGN

The forced air-cooled, 4-stroke engine features a dynamic balancer that reduces engine vibration.

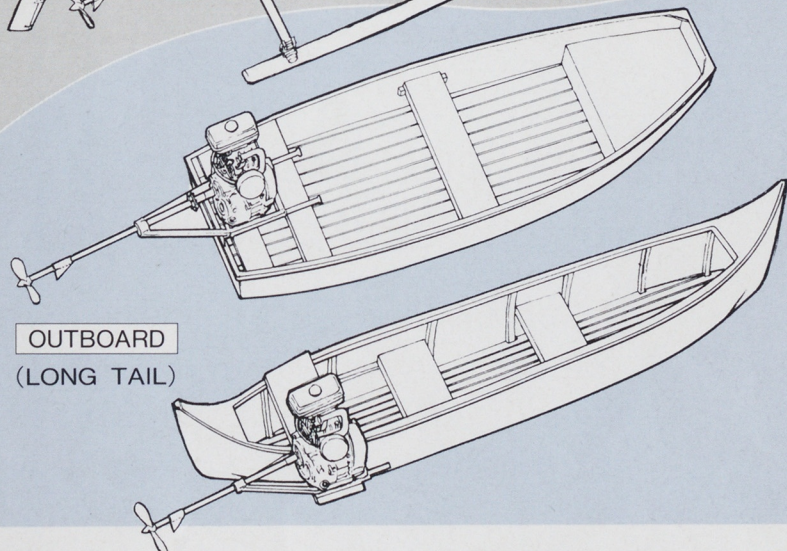
The Yamaha Electro Ignition System has no breakers and delivers a strong spark for easy starting and reduced maintenance.

Versatile mounting possibilities to meet every boating need

INBOARD

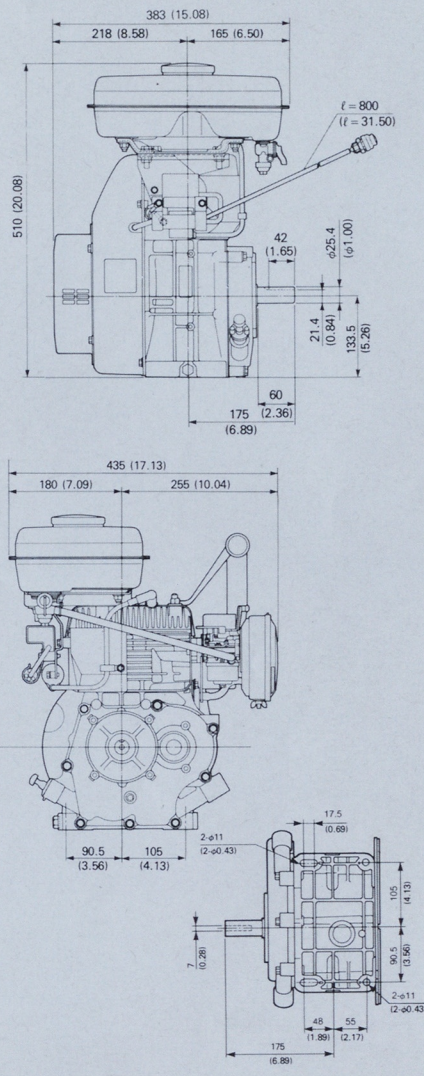


OUTBOARD (LONG TAIL)



DIMENSIONS

Unit: mm (in)



SPECIFICATIONS

Type	Gasoline 4-stroke side valve, forced air-cooled
Bore X Stroke	86.0mm X 71.0mm (3.39in X 2.80in)
Displacement	412cc (25.1 cu. in.)
Max. horsepower	12HP (8.95kW) at 3,600r/min
Max. torque	2.43m·kg (17.5ft·lbs.) @ 2,400r/min
Lubrication oil capacity	1.1 liters (1.16 US qt.)
Fuel tank capacity	5.0 liters (1.32 US gal.)
Ignition system	Electro Ignition (Condenser Discharge Ignition)
Net weight	33.6kg (74 lbs.)
Dimensions	383 X 435 X 510mm (15.08 X 17.13 X 20.08 in.)
Crankshaft rotational direction	Counterclockwise (Viewed from stern)
Starting system	Rewind manual starter

YAMAHA

YAMAHA MOTOR CO., LTD.
2500 SHINGAI IWATA SHIZUOKA JAPAN