

YAMAHA NETWORK BOARD RCX series

DeviceNet

Command Reference Manual

ENGLISH 

YAMAHA MOTOR CO., LTD.

IM Operations

882 Soude, Naka-ku, Hamamatsu, Shizuoka 435-0054.Japan
URL <http://www.yamaha-motor.jp/robot/index.html>

E81-Ver. 1.08

Introduction

Thank you for purchasing the DeviceNet compatible module. This DeviceNet compatible module is an option module that allows the YAMAHA robot controller RCX series to be connected as a DeviceNet system slave module. The robot controller explained in this manual refers to the RCX series.

This manual describes the remote commands used with the DeviceNet compatible module. For details on wiring and setting the DeviceNet compatible module, refer to the DeviceNet user's manual for the RCX series. For information on other devices such as connecting the master module and sequence programming, refer to the manual for the respective product. Refer to the controller user's manual and programming manual supplied with the YAMAHA robot controller for details on operating the robot controller and on the robot program.

Applicable controllers: RCX240, RCX141, RCX142, RCX40, RCX221 and RCX222

Model names as used in this manual include the following controllers.

RCX240:	Includes RCX240, RCX141, RCX142 and RCX40 (4-axis controllers)
RCX14x:	Includes RCX141, RCX142 and RCX40 (4-axis controllers excluding RCX240)*
RCX22x:	Includes RCX221 and RCX222 (2-axis controllers)

* Here, "RCX14x" does not include RCX240 and is used when there is a difference between the RCX240 and other 4-axis controllers due to differences in software versions.

● NOTE

The master module explained in this manual is based on the OMRON CJ1 series. If the explanations differ from other brands, refer to the manual for the product being used.

Safety Precautions (Always read before starting use)

Before using this product, be sure to read this manual carefully as well as the DeviceNet user's manual, robot controller user's manual and programming manual. Take sufficient precautions to ensure safety and handle the product correctly.

The cautions given in this manual are related to this product. Refer to the robot controller user's manual for details on the cautions to be taken with the robot controller system using this product.

* The safety precautions are ranked as "WARNING" and "CAUTION" in this manual.



WARNING

FAILURE TO FOLLOW WARNING INSTRUCTIONS COULD RESULT IN SERIOUS INJURY OR DEATH TO THE OPERATOR OR PERSON SERVICING THE PRODUCT.



CAUTION

Failure to follow CAUTION instructions may result in injury to the operator or person servicing product, or damage to the product or peripheral equipment.



NOTE

Explains the key point in the operation in a simple and clear manner.

Note that some items described as "CAUTION" may lead to serious results depending on the situation. In any case, important information that must be observed is explained.

Store this manual where it can be easily referred to, and make sure that it is delivered to the end user.

DeviceNet is a registered trademark of ODVA (Open DeviceNet Vendor Association).

[Precautions for design]**WARNING**

- REFER TO THE DEVICENET SYSTEM MASTER MODULE USER'S MANUAL AND THIS MANUAL FOR DETAILS ON THE STATE OF THE DEVICENET SYSTEM AND ROBOT CONTROLLER WHEN A COMMUNICATION ERROR OCCURS WITH THE DEVICENET SYSTEM, ETC. CONFIGURE AN INTERLOCK CIRCUIT IN THE SEQUENCE PROGRAM SO THAT THE SYSTEM, INCLUDING THE ROBOT CONTROLLER WILL WORK SAFELY USING THE COMMUNICATION STATUS INFORMATION.
- THE SAFETY CONNECTOR OF THE ROBOT CONTROLLER HAS AN EMERGENCY STOP TERMINAL TO TRIGGER EMERGENCY STOP. USING THIS TERMINAL, PREPARE A PHYSICAL INTERLOCK CIRCUIT SO THAT THE SYSTEM INCLUDING THE ROBOT CONTROLLER WILL WORK SAFETY.

**CAUTION**

- The control line and communication cable must not be bound with or placed near the main circuit or power line. Separate these by at least 100mm. Failure to observe this could lead to malfunctions caused by noise.
- The dedicated input of STD.DIO connector provided on the RCX240 controllers will be disabled except for an interlock signal (DI 11). When the external 24V monitor control setting of system parameters is set invalid, the interlock signal (DI 11) will also be disabled. On the RCX22x, the dedicated input of STD.DIO connector will be disabled, but the interlock signal (DI 11) in SAFETY connector enabled.

[Precautions for installation]**WARNING**

- ALWAYS CRIMP, PRESS-FIT OR SOLDER THE CONNECTOR WIRE CONNECTIONS WITH THE MAKER-DESIGNATED TOOL, AND SECURELY CONNECT THE CONNECTOR TO THE MODULE.
- ALWAYS SHUT OFF ALL PHASES OF THE POWER SUPPLY EXTERNALLY BEFORE STARTING INSTALLATION OR WIRING WORK.
FAILURE TO SHUT OFF ALL PHASES COULD LEAD TO ELECTRIC SHOCKS OR PRODUCT DAMAGE.

**CAUTION**

- Use the robot controller within the environment specifications given in the manual. Use in an environment outside the environment specification range could lead to electric shocks, fires, malfunctioning, product damage or deterioration.
- Install the DeviceNet compatible module into the robot controller, and securely fix with screws.
- Never directly touch the conductive sections or electronic parts other than the rotary switch on the DeviceNet compatible module.
- Never directly touch the conductive sections or electric parts inside the controller.
- Accurately connect each connection cable connector to the mounting section. Failure to observe this could lead to malfunctions caused by a connection fault.

[Precautions for wiring]**WARNING**

-
- ALWAYS SHUT OFF ALL PHASES OF THE POWER SUPPLY EXTERNALLY BEFORE STARTING INSTALLATION OR WIRING WORK. FAILURE TO SHUT OFF ALL PHASES COULD LEAD TO ELECTRIC SHOCKS OR PRODUCT DAMAGE.
 - ALWAYS INSTALL THE TERMINAL COVERS ENCLOSED WITH THE PRODUCT BEFORE TURNING ON THE POWER OR OPERATING THE PRODUCT AFTER INSTALLATION OR WIRING WORK. FAILURE TO INSTALL THE TERMINAL COVER COULD LEAD TO MALFUNCTIONS.
-

**CAUTION**

-
- Tighten the terminal screws within the specified torque range. A loose terminal screw could lead to short-circuiting or malfunctioning. If the terminal screw is too tight, short-circuiting or malfunctioning could occur due to screw damage.
 - Make sure that foreign matter, such as cutting chips or wire scraps, do not enter the robot controller.
 - The communication cables connected to the DeviceNet compatible module must be placed in a conduit or fixed with a clamp. If the cable is not placed in a conduit or fixed with a clamp, the module or cable could be damaged by the cable shifting, movement or unintentional pulling leading to malfunctioning caused by an improper cable connection.
 - Do not disconnect the communication cable connected to the DeviceNet compatible module by pulling on the cable section. Loosen the screws on the connector, and then disconnect the cable. Pulling on the cable fixed with screws could lead to module or cable damage, or malfunctioning caused by an improper cable connection.
-

[Precautions for starting and maintenance]**WARNING**

- DO NOT TOUCH THE TERMINALS WHILE THE POWER IS ON. FAILURE TO OBSERVE THIS COULD LEAD TO MALFUNCTIONING.
- ALWAYS SHUT OFF ALL PHASES OF THE POWER SUPPLY EXTERNALLY BEFORE CLEANING OR TIGHTENING THE TERMINAL SCREWS. FAILURE TO SHUT OFF ALL PHASES COULD LEAD TO ELECTRIC SHOCKS, PRODUCT DAMAGE OR MALFUNCTIONING. A LOOSE SCREW COULD LEAD TO DROPPING, SHORT-CIRCUITING OR MALFUNCTIONING. IF THE SCREW IS TOO TIGHT, SHORT-CIRCUITING OR MALFUNCTIONING COULD OCCUR DUE TO SCREW DAMAGE.
- NEVER DISASSEMBLE OR MODIFY ANY OF THE ROBOT CONTROLLER MODULES. FAILURE TO OBSERVE THIS COULD LEAD TO TROUBLE, MALFUNCTIONING, INJURIES OR FIRES.
- ALWAYS SHUT OFF ALL PHASES OF THE POWER SUPPLY EXTERNALLY BEFORE INSTALLING OR REMOVING THE DEVICENET COMPATIBLE MODULE. FAILURE TO SHUT OFF ALL PHASES COULD LEAD TO ROBOT CONTROLLER TROUBLE OR MALFUNCTIONING.
- WHEN USING THE ROBOT CONTROLLER WITH THE DEVICENET COMPATIBLE MODULE MOUNTED, ALWAYS MOUNT THE ENCLOSED FERRITE CORE FOR NOISE MEASURES ON THE POWER CABLE AS CLOSE TO THE ROBOT CONTROLLER AS POSSIBLE. FAILURE TO MOUNT THIS FERRITE CORE COULD LEAD TO MALFUNCTIONING CAUSED BY NOISE.

**CAUTION**

The DeviceNet system may not function properly if the master module and robot controller power are turned ON simultaneously. Always turn the robot controller power ON after turning ON the power for the master module ON.

[Precautions for disposal]**CAUTION**

Dispose of this product as industrial waste.

This manual does not guarantee the implementation of industrial rights or other rights, and does not authorize the implementation rights. YAMAHA shall not be held liable for any problems regarding industrial rights that occur through the use of the contents given in this manual.

2011 YAMAHA MOTOR CO., LTD.

MEMO

General Contents

Chapter 1 OUTLINE

1. Features	1-1
2. Mechanism	1-2
3. Names of each part on the DeviceNet compatible module	1-3
4. Assignment of DeviceNet compatible I/O	1-4
5. Shift of DeviceNet system connection status and robot controller status	1-7

Chapter 2 REMOTE COMMANDS

1. Remote command format	2-1
1.1 Remote command specifications	2-1
1.2 Remote status	2-2
2. Sending and receiving remote commands	2-4
3. Remote command & remote status tables	2-6
4. Remote command information	2-10
4.1 Special commands	2-10
4.1.1 Status reset command	2-11
4.1.2 Main robot current position reference command	2-11
4.1.3 Sub robot current position reference command	2-12
4.2 Category 1 remote commands	2-14
4.2.1 MOVE command	2-15
4.2.1.1 PTP designation	2-15
4.2.1.2 Arch designation	2-18
4.2.1.3 Linear interpolation	2-21
4.2.1.4 Circular interpolation	2-24
4.2.1.5 Direct PTP designation (millimeter units)	2-27
4.2.1.6 Direct PTP designation (pulse units)	2-30
4.2.2 MOVEI command	2-33
4.2.2.1 PTP designation	2-33
4.2.2.2 Direct PTP designation (millimeter units)	2-36
4.2.2.3 Direct PTP designation (pulse units)	2-39
4.2.3 DRIVE command	2-42
4.2.3.1 Point designation	2-42
4.2.3.2 Direct designation (millimeter units)	2-45
4.2.3.3 Direct designation (pulse units)	2-48
4.2.4 DRIVEI command	2-51
4.2.4.1 Point designation	2-51
4.2.4.2 Direct designation (millimeter units)	2-54
4.2.4.3 Direct designation (pulse units)	2-57

4.2.5	Pallet movement command	2-60
4.2.5.1	PTP designation	2-60
4.2.5.2	Arch designation	2-63
4.2.6	Jog movement command	2-66
4.2.7	Inching movement command	2-69
4.2.8	Point teaching command	2-72
4.2.9	Absolute reset movement command	2-73
4.2.10	Absolute reset command	2-74
4.2.11	Return-to-origin command	2-75
4.2.12	Servo command	2-76
4.2.13	Manual speed change command	2-78
4.2.14	Auto speed change command	2-79
4.2.15	Program speed change command	2-80
4.2.16	Shift designation change command	2-81
4.2.17	Hand designation change command	2-82
4.2.18	Arm designation change command	2-83
4.2.19	Point display unit designation command	2-84
4.3	Category 2 remote commands	2-85
4.3.1	Point-related command	2-86
4.3.1.1	Point data definition	2-86
4.3.1.2	Point data reference	2-88
4.3.2	Point comment-related command	2-90
4.3.2.1	Point comment data definition	2-90
4.3.2.2	Point comment data reference	2-92
4.3.3	Pallet-related command	2-94
4.3.3.1	Pallet data definition	2-94
4.3.3.2	Pallet data reference	2-95
4.3.4	Shift-related command	2-97
4.3.4.1	Shift data definition	2-97
4.3.4.2	Shift data reference	2-99
4.3.5	Hand-related command	2-101
4.3.5.1	Hand data definition	2-101
4.3.5.2	Hand data reference	2-103
4.4	Category 3 remote commands	2-105
4.4.1	Static variable-related command	2-106
4.4.1.1	Assigning a numerical value to a static variable	2-106
4.4.1.2	Assigning a variable to a static variable	2-108
4.4.1.3	Arithmetic operation using numerical data on static variable	2-110
4.4.1.4	Arithmetic operation using variable on static variable	2-112
4.4.1.5	Static variable value reference	2-114
4.4.2	Parameter-related command	2-116
4.4.2.1	Assigning a value to a parameter	2-116
4.4.2.2	Parameter value reference	2-118
4.4.3	Point-related command	2-120
4.4.3.1	Assigning a point to a parameter	2-120
4.4.3.2	Point addition/subtraction	2-122
4.4.3.3	Assigning a pallet point	2-124
4.4.4	Element assignment command	2-126
4.4.4.1	Assigning to a point element	2-126
4.4.4.2	Assigning to a shift element	2-128
4.5	Category 4 remote commands	2-130

4.5.1	I/O port commands	2-131
4.5.1.1	Assigning a numerical value to an I/O port	2-131
4.5.1.2	I/O port reference	2-133
4.6	Category 5 remote commands	2-135
4.6.1	Execution program designation	2-136
4.6.2	Program execution	2-137
4.6.3	Program reset	2-138
4.6.4	Program task switching	2-139
4.6.5	Program execution information reference	2-140
4.7	Category 6 remote commands	2-142
4.7.1	Version information reference	2-143
4.7.2	Controller configuration reference	2-144
4.7.3	Servo status reference	2-146
4.7.4	Absolute reset status reference	2-147
4.7.5	Current position reference	2-149
4.7.5.1	Pulse designation	2-149
4.7.5.2	Millimeter designation	2-150
4.7.6	Task status reference	2-152
4.7.7	Task execution line reference	2-153
4.7.8	Message reference	2-154
4.7.9	Speed status reference	2-155
4.7.10	Arm designation status reference	2-156
4.7.11	Arm status reference	2-157
4.7.12	Service mode status reference	2-158
4.7.13	Point unit status reference	2-159
4.7.14	Return-to-origin status reference	2-160

Chapter 3 IO COMMANDS

1.	IO command format	3-1
2.	Sending and receiving IO commands	3-3
3.	IO command list	3-5
4.	IO command description	3-6
4.1	MOVE command	3-6
4.1.1	PTP designation	3-6
4.1.2	Linear interpolation	3-6
4.2	MOVEI command	3-7
4.2.1	PTP designation	3-7
4.3	Pallet movement command	3-8
4.3.1	PTP designation	3-8
4.4	Jog movement command	3-8
4.5	Inching movement command	3-9
4.6	Point teaching command	3-9
4.7	Absolute reset movement command	3-10
4.8	Absolute reset command	3-10
4.9	Return-to-origin command	3-11

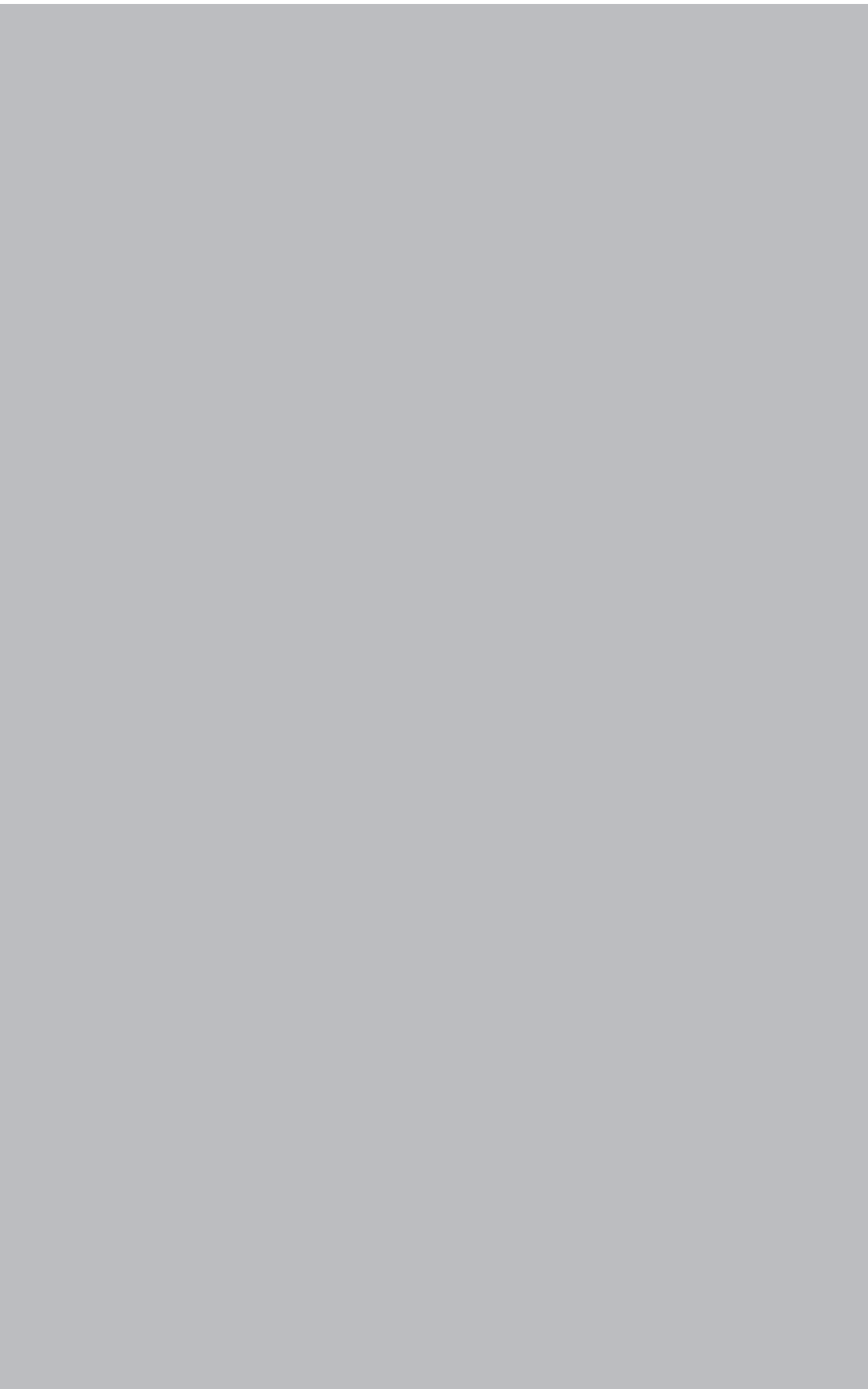
4.10	Servo command	3-11
4.11	Manual speed change command	3-12
4.12	Auto speed change command	3-12
4.13	Program speed change command	3-13
4.14	Shift designation change command	3-13
4.15	Hand designation change command	3-13
4.16	Arm designation change command	3-14
4.17	Point display unit designation command	3-14

Chapter 4 APPENDIX

1.	Definition of terms	4-1
-----------	----------------------------	------------

Contents

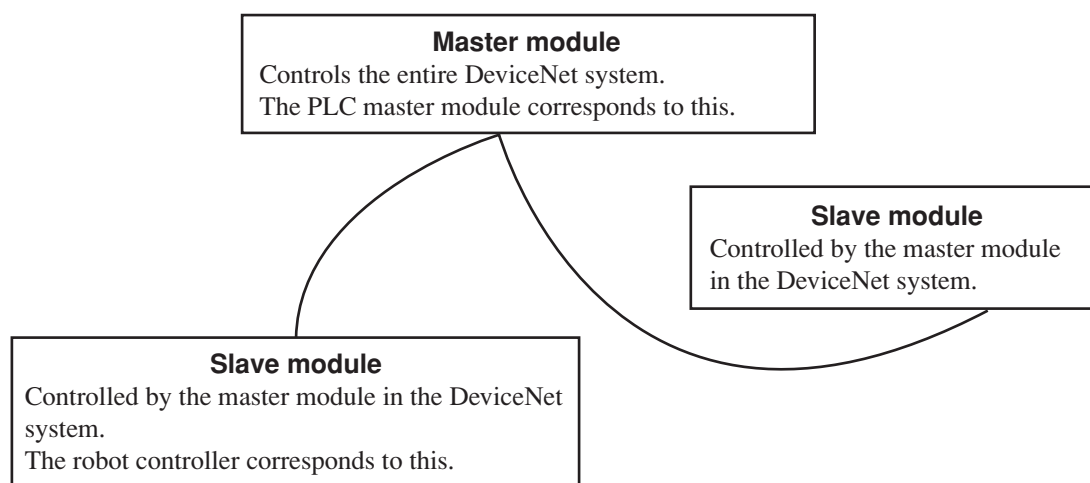
1. Features	1-1
2. Mechanism	1-2
3. Names of each part on the DeviceNet compatible module	1-3
4. Assignment of DeviceNet compatible I/O	1-4
5. Shift of DeviceNet system connection status and robot controller status	1-7



1. Features

The DeviceNet system is a system used to connect the robot controller or scattered input/output modules, etc., with dedicated cables, and to control these modules from the master module.

The DeviceNet system allows wiring to be reduced.



DeviceNet is a registered trademark of ODVA (Open DeviceNet Vendor Association).



NOTE

The dedicated input of STD.DIO connector provided on the RCX240 controllers will be disabled except for an interlock signal (DI 11). When the external 24V monitor control setting of system parameters is set invalid, the interlock signal (DI 11) will also be disabled. On the RCX22x, the dedicated input of STD.DIO connector will be disabled, but the interlock signal (DI 11) in SAFETY connector enabled.

[Wiring saving]

One dedicated cable (5-wire) is used to connect the robot controller and PLC. This allows the entire system wiring to be reduced.

[Emulated serialization on parallel DIO]

By making the robot controller's internal settings without using a robot program, the various I/O devices, such as the sensors and relays mounted on the robot controller's parallel I/O can be controlled from the PLC as if they were DeviceNet system I/O devices.



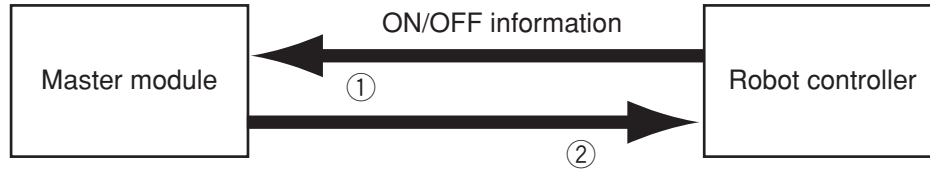
CAUTION

An emergency stop terminal for hardwire is provided in SAFETY connector on the robot controller.

In the case of the RCX240, when the DeviceNet system is used while STD. DIO is not used (external DC 24V power supply is not used), the external DC 24V monitor control setting of system parameters must be set invalid. If it is left valid, the STD. DIO interlock signal is enabled causing an error in the robot operation commands.

2. Mechanism

The mechanism of communication is explained in this section to provide an understanding of how the robot controller and master module operate via the DeviceNet system.



- ① The robot controller's ON/OFF information is sent to the master module via the network (DeviceNet system cable).
- ② The master module's ON/OFF information is sent to the robot controller via the network (DeviceNet system cable).

- * **The robot controller monitors the ON/OFF information at a 10ms cycle.**
- * **The ON/OFF information consists of two words each of dedicated I/O words, 14 words each of general-purpose I/O words as word information, and 16 points each of dedicated I/O points, 96 points each of general-purpose I/O points as bit information. However, when the number of channels that the DeviceNet compatible module occupies is set to "Small" (2CH each of I/O) by option board parameter, bit information consists 16 points each of dedicated I/O points and 16 points each of general-purpose I/O points, so that word information cannot be handled.**



NOTE

The number of channels that the DeviceNet compatible module occupies can be set to either "Large" (24CH each of I/O) or "Small" (2CH each of I/O) by option board parameter. This function is supported by the controllers using the following software versions:

RCX14x: Ver. 8.63 onwards RCX22x: Ver. 9.09 onwards RCX240: all versions

If the following is executed with the robot program in the robot controller, the bit information will be sent to the master module via the DeviceNet system by ①.

SO (20)=1

Conversely, if the following is executed with the robot program, the bit information received from the master module via the DeviceNet system will be monitored by ②, and the robot controller will wait for the ON information.

WAIT SI (20)=1

If the following is executed with the robot program in the robot controller, the word information will be sent to the master module via the DeviceNet system by ①.

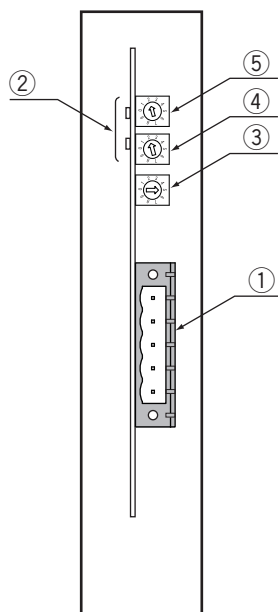
SOW (2)= 256

Conversely, if the following is executed with the robot program, the word information received from the master module via the DeviceNet system will be substituted in integer variable A% by ②.

A% = SIW (3)

3. Names of each part on the DeviceNet compatible module

The part names of the DeviceNet compatible module installed in the robot controller are described in this section. The DeviceNet compatible module is installed into an optional slot in the robot controller.



Front of the unit

① **DeviceNet system cable terminals**

These terminals are used to connect the DeviceNet system cable. Each of the five terminals has a meaning, so do not make miswiring. These terminals are "V-" (Black), "CAN L" (Blue), "SHIELD (-)", "CAN H" (White) and "V+" (Red) from the top.

② **Transmission monitor LED**

The status in the DeviceNet system is indicated with ON, OFF and flickering status of two LEDs. These terminals are "MS" and "NS" from the top.

③ **MAC ID setting switch (LSB: 1st digit)**

This is the rotary switch for setting the robot controller MAC ID in the DeviceNet system. The 1st digit of the MAC ID is set with this switch.

④ **MAC ID setting switch (MSB: 2nd digit)**

This is the rotary switch for setting the robot controller MAC ID in the DeviceNet system. The 2nd digit of the MAC ID is set with this switch.

⑤ **Communication speed switch (BPS)**

This is the rotary switch for setting the DeviceNet system's communication speed.

4. Assignment of DeviceNet compatible I/O

The table below shows the correspondence of the robot controller's serial I/O to the I/O data (channel) on the DeviceNet. The number of channels assigned to the DeviceNet compatible module can be set to either 24 channels each or 2 channels each of I/O by robot controller parameter.

■ Using Input 24CH / Output 24CH

Serial output (Robot controller → Master module)			Serial input (Master module → Robot controller)		
Robot controller		Master module	Robot controller		Master module
Port No.		Channel No.	Port No.		Channel No.
	SOW(0) ^{*1}	(mCH)		SIW(0) ^{*1}	(nCH)
	SOW(1) ^{*1}	(m+1CH)		SIW(1) ^{*1}	(n+1CH)
SOD(2)	SOW(2)	(m+2CH)	SID(2)	SIW(2)	(n+2CH)
	SOW(3)	(m+3CH)		SIW(3)	(n+3CH)
SOD(4)	SOW(4)	(m+4CH)	SID(4)	SIW(4)	(n+4CH)
	SOW(5)	(m+5CH)		SIW(5)	(n+5CH)
SOD(6)	SOW(6)	(m+6CH)	SID(6)	SIW(6)	(n+6CH)
	SOW(7)	(m+7CH)		SIW(7)	(n+7CH)
SOD(8)	SOW(8)	(m+8CH)	SID(8)	SIW(8)	(n+8CH)
	SOW(9)	(m+9CH)		SIW(9)	(n+9CH)
SOD(10)	SOW(10)	(m+10CH)	SID(10)	SIW(10)	(n+10CH)
	SOW(11)	(m+11CH)		SIW(11)	(n+11CH)
SOD(12)	SOW(12)	(m+12CH)	SID(12)	SIW(12)	(n+12CH)
	SOW(13)	(m+13CH)		SIW(13)	(n+13CH)
SOD(14)	SOW(14)	(m+14CH)	SID(14)	SIW(14)	(n+14CH)
	SOW(15)	(m+15CH)		SIW(15)	(n+15CH)
SO0(7 to 0) ^{*2}	(m+16CH)	7 to 0	SI0(7 to 0) ^{*2}	(n+16CH)	7 to 0
SO1(7 to 0) ^{*2}		15 to 8	SI1(7 to 0) ^{*2}		15 to 8
SO2(7 to 0)	(m+17CH)	7 to 0	SI2(7 to 0)	(n+17CH)	7 to 0
SO3(7 to 0)		15 to 8	SI3(7 to 0)		15 to 8
SO4(7 to 0)	(m+18CH)	7 to 0	SI4(7 to 0)	(n+18CH)	7 to 0
SO5(7 to 0)		15 to 8	SI5(7 to 0)		15 to 8
SO6(7 to 0)	(m+19CH)	7 to 0	SI6(7 to 0)	(n+19CH)	7 to 0
SO7(7 to 0)		15 to 8	SI7(7 to 0)		15 to 8
SO10(7 to 0)	(m+20CH)	7 to 0	SI10(7 to 0)	(n+20CH)	7 to 0
SO11(7 to 0)		15 to 8	SI11(7 to 0)		15 to 8
SO12(7 to 0)	(m+21CH)	7 to 0	SI12(7 to 0)	(n+21CH)	7 to 0
SO13(7 to 0)		15 to 8	SI13(7 to 0)		15 to 8
SO14(7 to 0)	(m+22CH)	7 to 0	SI14(7 to 0)	(n+22CH)	7 to 0
SO15(7 to 0)		15 to 8	SI15(7 to 0)		15 to 8
Reserved ^{*3}	(m+23CH)	15 to 0	Reserved ^{*3}	(n+23CH)	15 to 0

m: Input-area head CH number assigned to master module
n: Output-area head CH number assigned to master module

Note)

*1: These are used as a dedicated command and so cannot be used as general-purpose I/O data.

*2: These are used as a dedicated I/O and so cannot be used as general-purpose I/O data.

*3: Reserved area.

■ Using Input 2CH / Output 2CH

Serial output (Robot controller → Master module)			Serial input (Master module → Robot controller)		
Robot controller	Master module		Robot controller	Master module	
Port No.	Channel No.		Port No.	Channel No.	
SO0(7 to 0) **1	(mCH)	7 to 0	SI0(7 to 0) **1	(nCH)	7 to 0
SO1(7 to 0) **1		15 to 8	SI1(7 to 0) **1		15 to 8
SO2(7 to 0)	(m+1CH)	7 to 0	SI2(7 to 0)	(n+1CH)	7 to 0
SO3(7 to 0)		15 to 8	SI3(7 to 0)		15 to 8

m: Input-area head CH number assigned to master module
n: Output-area head CH number assigned to master module

Note)

*1: These are used as a dedicated I/O and so cannot be used as general-purpose I/O data.



CAUTION

The number of channels assigned to the DeviceNet compatible module can be selected by the controllers using the following versions:

RCX14x: Ver. 8.63 onwards RCX22x: Ver. 9.09 onwards RCX240: all versions
Earlier version controllers support only input 24CH and output 24CH.



NOTE

- Each channel consists of 16-bit data.
- SO_n() and SI_n() are handled as unsigned 8-bit integer data.
- SOW_(n) and SIW_(n) are handled as unsigned 16-bit integer data.
- SOD_(n) and SID_(n) are handled as signed 32-bit integer data.
- The upper and lower words of SOD_(n) respectively correspond to SOW_(n+1) and SOW_(n).
- The upper and lower words of SID_(n) respectively correspond to SIW_(n+1) and SIW_(n).
- The dedicated input of STD.DIO connector provided on the RCX240 controllers will be disabled except for an interlock signal (DI 11). When the external 24V monitor control setting of system parameters is set invalid, the interlock signal (DI 11) will also be disabled. On the RCX22x, the dedicated input of STD.DIO connector will be disabled, but the interlock signal (DI 11) in SAFETY connector enabled.

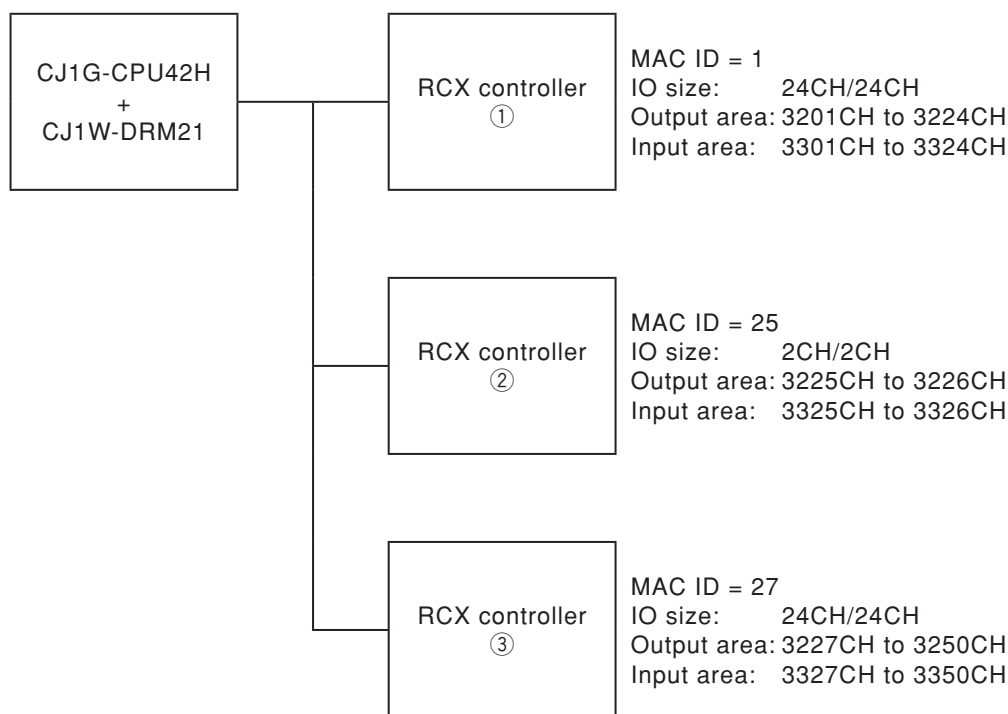
4. Assignment of DeviceNet compatible I/O

The head channel numbers in the input and output areas differ depending on the method of assigning the DeviceNet compatible module to the master module and the MAC ID setting. Refer to the master module and PLC instruction manuals for details.

Example: When fixed assignment is applied to fixed assignment area 1 while using a programmable controller (OMRON CJ1G-CPU42H) and a DeviceNet unit (OMRON CJ1W-DRM21).

Output-area CH (n) = 3200 + MAC ID

Input-area head CH (m) = 3300 + MAC ID

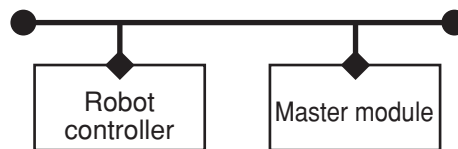


Master module	Controller		
Channel No.	MAC ID	Number of channels	Data
3201 to 3224	1	24	RCX controller ① serial input
3225 to 3226	25	2	RCX controller ② serial input
3227 to 3250	27	24	RCX controller ③ serial input
⋮			
3301 to 3324	1	24	RCX controller ① serial output
3325 to 3326	25	2	RCX controller ② serial output
3327 to 3350	27	24	RCX controller ③ serial output
⋮			

5. Shift of DeviceNet system connection status and robot controller status

Always start the DeviceNet system specification robot controller in the servo OFF state after the power is turned ON.

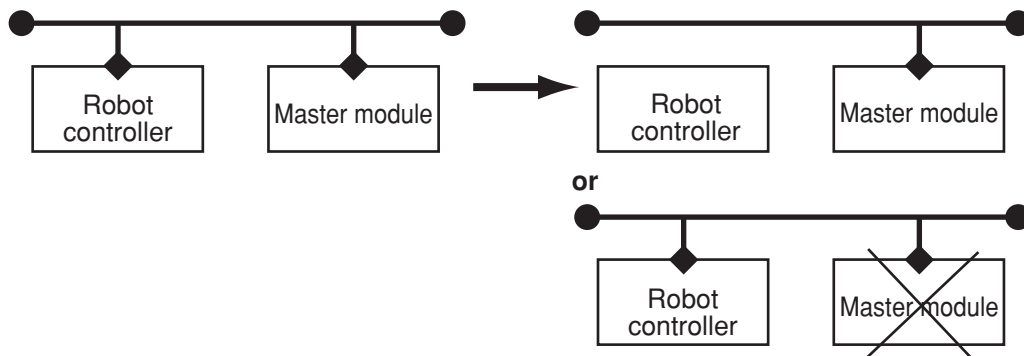
① Normal state of DeviceNet system connection when robot controller power is turned ON



- Emergency stop/interlock signals in DeviceNet system are valid.
- When SAFE mode is enabled, service mode input signal is made valid with SI (02) in the DeviceNet system.
- Emergency stop terminal in SAFETY connector is valid.
- Interlock signal in STD. DIO connector is valid unless the external 24V monitor control setting of system parameters is set invalid. (RCX240)
- Interlock signal in SAFETY connector is valid. (RCX22x)
- When the external 24V monitor control setting of system parameters is left valid while SAFE mode is enabled, service mode input signal is made valid with DI (02) in SAFETY connector. (RCX240)
- When SAFE mode is enabled, service mode input signal is made valid with DI (02) in SAFETY connector. (RCX22x)

* The signals in the DeviceNet system are sent and received.

② Shift from DeviceNet system normal connection state to DeviceNet system erroneous connection state

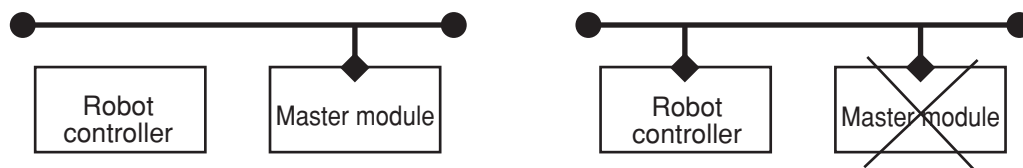


- Emergency stop input turns off with SI (00) in the robot controller.
- Service mode input turns off with SI (02) in the robot controller.
- Emergency stop terminal in SAFETY connector is valid.
- Interlock signal in STD. DIO connector is valid when the external 24V monitor control setting of system parameters is left valid. (RCX240)
- Interlock signal in SAFETY connector is valid. (RCX22x)

- When the external 24V monitor control setting of system parameters is left valid while SAFE mode is enabled, service mode input signal is made valid with DI (02) in SAFETY connector. (RCX240)
- When SAFE mode is enabled, service mode input signal is made valid with DI (02) in SAFETY connector. (RCX22x)
- * The signals in the DeviceNet system are not sent or received.
- * The "DeviceNet Link Error" is added to the error history in the robot controller.
- * If the connection to the DeviceNet system shifts from the normal state to the erroneous state, the DeviceNet system connection must be returned to the normal state.
- * The DeviceNet system will return when the DeviceNet system connection is recovered to the normal state.

③ DeviceNet system erroneous connection state due to following factors when robot controller power is turned ON

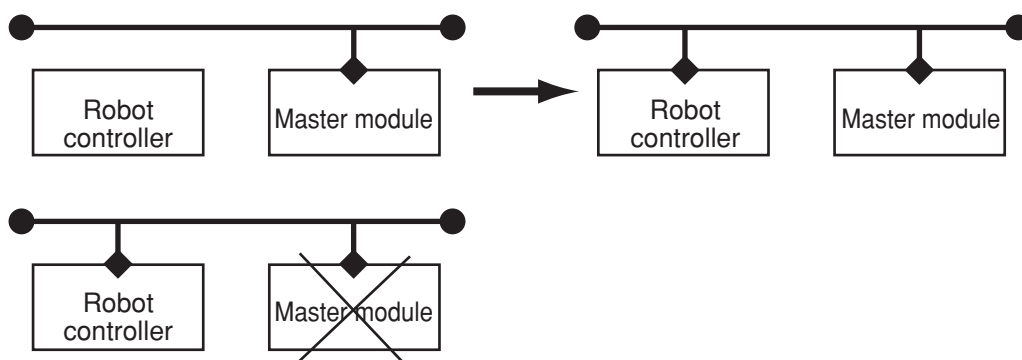
- Connection to DeviceNet system not possible
- Error in master module



- Emergency stop/interlock signals in DeviceNet system are invalid.
- When SAFE mode is enabled, service mode input signal is made valid with SI (02) in the DeviceNet system.
- Emergency stop terminal in SAFETY connector is valid.
- Interlock signal in STD. DIO connector is valid when the external 24V monitor control setting of system parameters is left valid. (RCX240)
- Interlock signal in SAFETY connector is valid. (RCX22x)
- When the external 24V monitor control setting of system parameters is left valid while SAFE mode is enabled, service mode input signal is made valid with DI (02) in SAFETY connector. (RCX240)
- When SAFE mode is enabled, service mode input signal is made valid with DI (02) in SAFETY connector. (RCX22x)
- * The signals on the DeviceNet system cannot be exchanged.
- * The "DeviceNet Link Error" has been added to the error history in the robot controller.
(A standby state for up to 10 seconds will occur to check the communication.)
- * As opposed to the state given in ②, in this state, the emergency stop state by SI (00) is not attained in the controller, so the robot can be operated from the programming box.
(The robot controller can be started independently when setting up the system, etc.)

- * Service mode input signal cannot be invalidated with SI (02) when SAFE mode is enabled, so change the service mode parameter setting in SYSTEM > PARAM mode. In this case, take full precautions to prevent improper settings that might lead to a hazardous situation.
- * When the connection to the DeviceNet system is correctly recovered, the system will automatically return to the DeviceNet system.

④ **Transmission from DeviceNet system erroneous connection state to DeviceNet correct connection state when robot controller power is turned ON**



- DeviceNet system emergency stop/interlock signals change to valid state.
 - Emergency stop terminal in SAFETY connector is valid.
 - Interlock signal in STD. DIO connector is valid when the external 24V monitor control setting of system parameters is left valid. (RCX240)
 - Interlock signal in SAFETY connector is valid. (RCX22x)
 - When the external 24V monitor control setting of system parameters is left valid while SAFE mode is enabled, service mode input signal is made valid with DI (02) in SAFETY connector. (RCX240)
 - When SAFE mode is enabled, service mode input signal is made valid with DI (02) in SAFETY connector. (RCX22x)
- * The signals in the DeviceNet system can be sent and received.
 - * When service mode parameter setting in SYSTEM > PARAM mode has been changed while SAFE mode is enabled, make the service mode parameter setting again. In this case, take full precautions to prevent improper settings that might lead to a hazardous situation.
 - * The DeviceNet system will return when the DeviceNet system connection is recovered to the normal state.

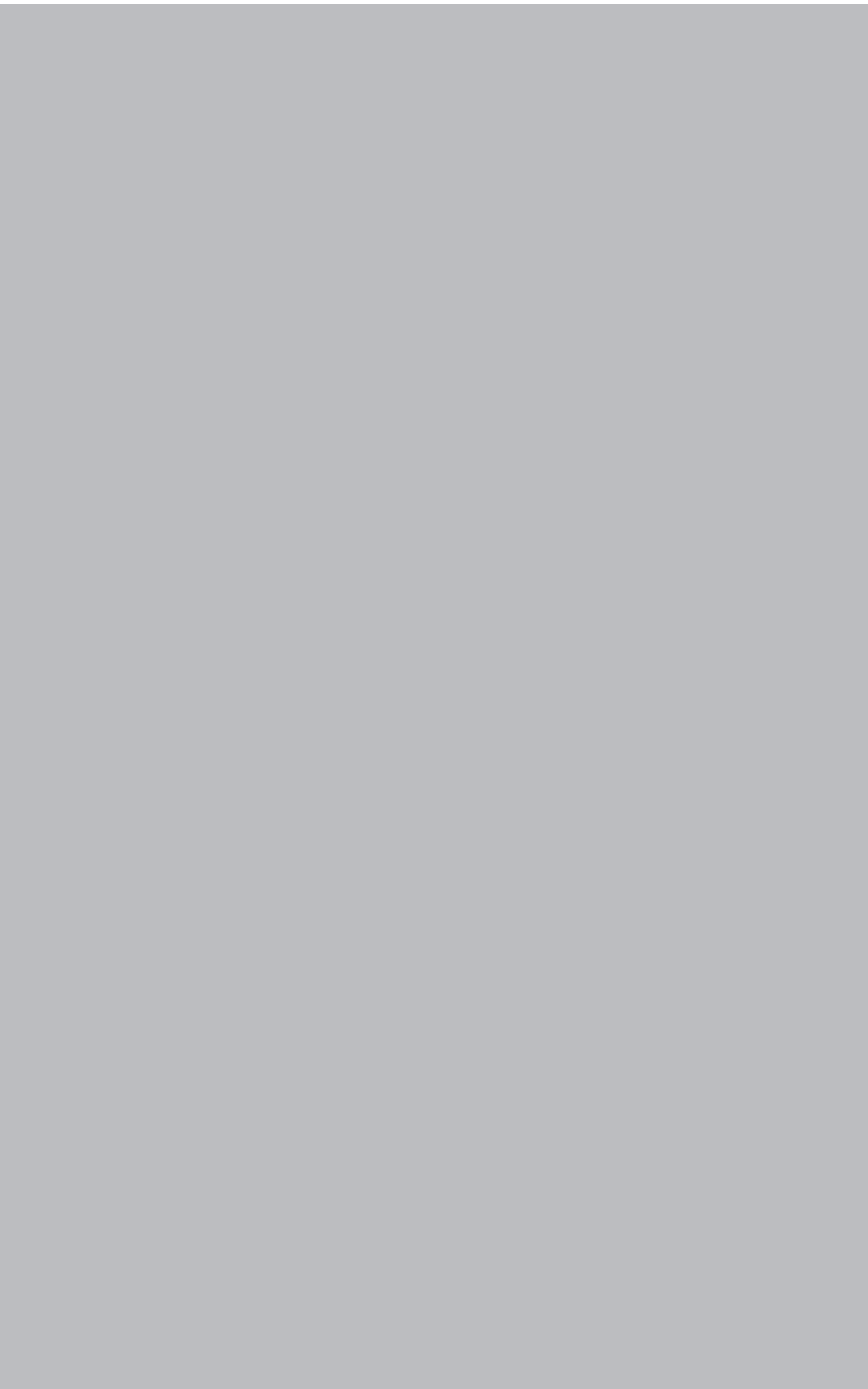
MEMO

Contents

1. Remote command format	2-1
1.1 Remote command specifications	2-1
1.2 Remote status	2-2
2. Sending and receiving remote commands	2-4
3. Remote command & remote status tables	2-6
4. Remote command information	2-10
4.1 Special commands	2-10
4.1.1 Status reset command	2-11
4.1.2 Main robot current position reference command	2-11
4.1.3 Sub robot current position reference command	2-12
4.2 Category 1 remote commands	2-14
4.2.1 MOVE command	2-15
4.2.1.1 PTP designation	2-15
4.2.1.2 Arch designation	2-18
4.2.1.3 Linear interpolation	2-21
4.2.1.4 Circular interpolation	2-24
4.2.1.5 Direct PTP designation (millimeter units)	2-27
4.2.1.6 Direct PTP designation (pulse units)	2-30
4.2.2 MOVEI command	2-33
4.2.2.1 PTP designation	2-33
4.2.2.2 Direct PTP designation (millimeter units)	2-36
4.2.2.3 Direct PTP designation (pulse units)	2-39
4.2.3 DRIVE command	2-42
4.2.3.1 Point designation	2-42
4.2.3.2 Direct designation (millimeter units)	2-45
4.2.3.3 Direct designation (pulse units)	2-48
4.2.4 DRIVEI command	2-51
4.2.4.1 Point designation	2-51
4.2.4.2 Direct designation (millimeter units)	2-54
4.2.4.3 Direct designation (pulse units)	2-57
4.2.5 Pallet movement command	2-60
4.2.5.1 PTP designation	2-60
4.2.5.2 Arch designation	2-63
4.2.6 Jog movement command	2-66
4.2.7 Inching movement command	2-69
4.2.8 Point teaching command	2-72

4.2.9	Absolute reset movement command	2-73
4.2.10	Absolute reset command	2-74
4.2.11	Return-to-origin command	2-75
4.2.12	Servo command	2-76
4.2.13	Manual speed change command	2-78
4.2.14	Auto speed change command	2-79
4.2.15	Program speed change command	2-80
4.2.16	Shift designation change command	2-81
4.2.17	Hand designation change command	2-82
4.2.18	Arm designation change command	2-83
4.2.19	Point display unit designation command	2-84
4.3	Category 2 remote commands	2-85
4.3.1	Point-related command	2-86
4.3.1.1	Point data definition	2-86
4.3.1.2	Point data reference	2-88
4.3.2	Point comment-related command	2-90
4.3.2.1	Point comment data definition	2-90
4.3.2.2	Point comment data reference	2-92
4.3.3	Pallet-related command	2-94
4.3.3.1	Pallet data definition	2-94
4.3.3.2	Pallet data reference	2-95
4.3.4	Shift-related command	2-97
4.3.4.1	Shift data definition	2-97
4.3.4.2	Shift data reference	2-99
4.3.5	Hand-related command	2-101
4.3.5.1	Hand data definition	2-101
4.3.5.2	Hand data reference	2-103
4.4	Category 3 remote commands	2-105
4.4.1	Static variable-related command	2-106
4.4.1.1	Assigning a numerical value to a static variable	2-106
4.4.1.2	Assigning a variable to a static variable	2-108
4.4.1.3	Arithmetic operation using numerical data on static variable	2-110
4.4.1.4	Arithmetic operation using variable on static variable	2-112
4.4.1.5	Static variable value reference	2-114
4.4.2	Parameter-related command	2-116
4.4.2.1	Assigning a value to a parameter	2-116
4.4.2.2	Parameter value reference	2-118
4.4.3	Point-related command	2-120
4.4.3.1	Assigning a point to a parameter	2-120
4.4.3.2	Point addition/subtraction	2-122
4.4.3.3	Assigning a pallet point	2-124
4.4.4	Element assignment command	2-126
4.4.4.1	Assigning to a point element	2-126
4.4.4.2	Assigning to a shift element	2-128

4.5	Category 4 remote commands	2-130
4.5.1	I/O port commands	2-131
4.5.1.1	Assigning a numerical value to an I/O port	2-131
4.5.1.2	I/O port reference	2-133
4.6	Category 5 remote commands	2-135
4.6.1	Execution program designation	2-136
4.6.2	Program execution	2-137
4.6.3	Program reset	2-138
4.6.4	Program task switching	2-139
4.6.5	Program execution information reference	2-140
4.7	Category 6 remote commands	2-142
4.7.1	Version information reference	2-143
4.7.2	Controller configuration reference	2-144
4.7.3	Servo status reference	2-146
4.7.4	Absolute reset status reference	2-147
4.7.5	Current position reference	2-149
4.7.5.1	Pulse designation	2-149
4.7.5.2	Millimeter designation	2-150
4.7.6	Task status reference	2-152
4.7.7	Task execution line reference	2-153
4.7.8	Message reference	2-154
4.7.9	Speed status reference	2-155
4.7.10	Arm designation status reference	2-156
4.7.11	Arm status reference	2-157
4.7.12	Service mode status reference	2-158
4.7.13	Point unit status reference	2-159
4.7.14	Return-to-origin status reference	2-160



1. Remote command format

Using the DeviceNet compatible module allows issuing commands directly from the PLC (programmable logic controller). Commands such as MOVE commands can now be run that were impossible to execute up until now without using the robot program or RS-232C port.



CAUTION

- Remote commands are compatible with the RCX40 with software version 8.15 onwards.
- Remote commands cannot be used when the IO size is set to "Small".
- To use remote commands, the "Remote cmd / IO cmd (SI05)" parameter in SYSTEM > PARAM > OP.BRD mode must be set to "VALID" in advance. Refer to the DeviceNet user's manual and controller user's manual for more details.

1.1 Remote command specifications

Functions such as shown below are assigned to each remote register.

Output (remote → master)		Input (remote ← master)		
Address	Contents	Address	Contents	
(mCH)	Status		(nCH)	Execute command code
	Normal end	Abnormal end		
(m+1CH)	Response	Error code	(n+1CH)	Command data
(m+2CH)		Additional information	(n+2CH)	
(m+3CH)			(n+3CH)	
to			to	
(m+15CH)			(n+15CH)	

m: Input-area head CH number assigned to master module
n: Output-area head CH number assigned to master module



NOTE

Remote commands must be held until the status changes to a normal end (0x0200) or an abnormal end (0x4000). If a remote command is changed before the status changes to an end, the status of the remote command executed will not be reflected.

- Remote commands are run by assigning the command codes to the (nCH), and command data to the (n+ℓCH). When the controller receives the remote command, it starts the processing and sends the status (results) and its other information to the PLC by way of the (mCH) and (m+ℓCH). When the remote command ends, assign the status reset command (0x0000 (hexadecimal)) to the (nCH) to clear the status. The remote command can be run when in command ready status (0x0000 (hexadecimal)).
- Command data to be added to remote commands differs according to the particular remote command. See the detailed information available on the remote commands. Command data must always be entered before trying to set the remote command.
- Contents of the remote command response sent as the remote command results differ according to the particular remote command. See the detailed information available on the remote commands.

- Data is set in binary code. When setting two pieces of 8-bit data such as character code data, set the upper bit data into the higher address. If the data size is greater than 16 bits, set the upper bit data into the higher address. (little endian)
For example, to set "12" in (n+4CH), enter 0x3231 (hexadecimal)
(character code: "1" = 0x31, "2" = 0x32)
For example, to set 0x01234567 (hexadecimal) (=19,088,743) in the (n+4CH) and (n+5CH) registers, set 0x0123 (hexadecimal) in (n+5CH) and set 0x4567 (hexadecimal) in (n+4CH).
- The status code is sent to (mCH) when the remote command ends correctly.
- When the remote command ends incorrectly, an error code is sent to (m+1CH) and additional information is sent to (m+2CH) as a response. The error group number is displayed in the upper 8 bits of the error code and the error category number is displayed in the lower 8 bits. The additional information section appears in the upper 8 bits of additional information and a detail value for the additional information appears in the lower 8 bits. See the troubleshooting section of the robot controller user's manual for description of the error group number and error category number.
For example, when 0x0201 (hexadecimal) was set in (m+1CH), this shows that a "soft limit over" error has occurred. When 0x0001 (hexadecimal) is set in (m+2CH), it indicates that Axis 1 of the controller is selected.

1.2 Remote status

The controller starts processing when the remote command is received and sends the status (results) to the PLC by way of (mCH).

Remote status list

Status contents				Meaning
(mCH)	(m+1CH)	(m+2CH)	From (m+3CH)	
0x0000	0x0000			Command ready status
0x0100	0x0000			Command run status
0x0200	Response data			Normal end status
0x4000	Error code	Additional information	0x0000	Abnormal end status

m: Input-area head CH number assigned to master module



NOTE

Remote commands must be held until the status changes to a normal end (0x0200) or an abnormal end (0x4000). If a remote command is changed before the status changes to an end, the status of the remote command executed will not be reflected.

- **Code 0x0000** Command ready status
Indicates a state where remote command is not being run and a new remote command can be received. Remote status must always be set to command ready status (0x0000) in order to execute a remote command. To change the remote status to command ready status (0x0000), run the status reset command (0x0000).
- **Code 0x0100** Command run status
Indicates a state where the controller has received a remote command and is in command run status.
In some cases the command run status (0x0100) might not be sent to the PLC due to problems caused by a short remote command execution time versus the controller scan time (10 ms).
- **Code 0x0200** Normal end status
Indicates a state where the remote command was run correctly.
Category 5 (key operation command) indicates command was received as a key operation command. The actual key operation sometimes might be in progress.
- **Code 0x4000** Abnormal end status
Indicates remote command ended abnormally.
Error number and error additional information on the error that occurred are sent to (m+1CH) and (m+2CH).
 - **Error code (m+1CH)**
Shows the error code for error causing command to end abnormally.
Upper 8 bits show the group number and lower 8 bits show the category number.
 - **Additional information (m+2CH)**
Shows additional information if present in error code, such as axis number causing error.
Upper 8 bits show the section number of additional information and lower 8 bits show a detail value.

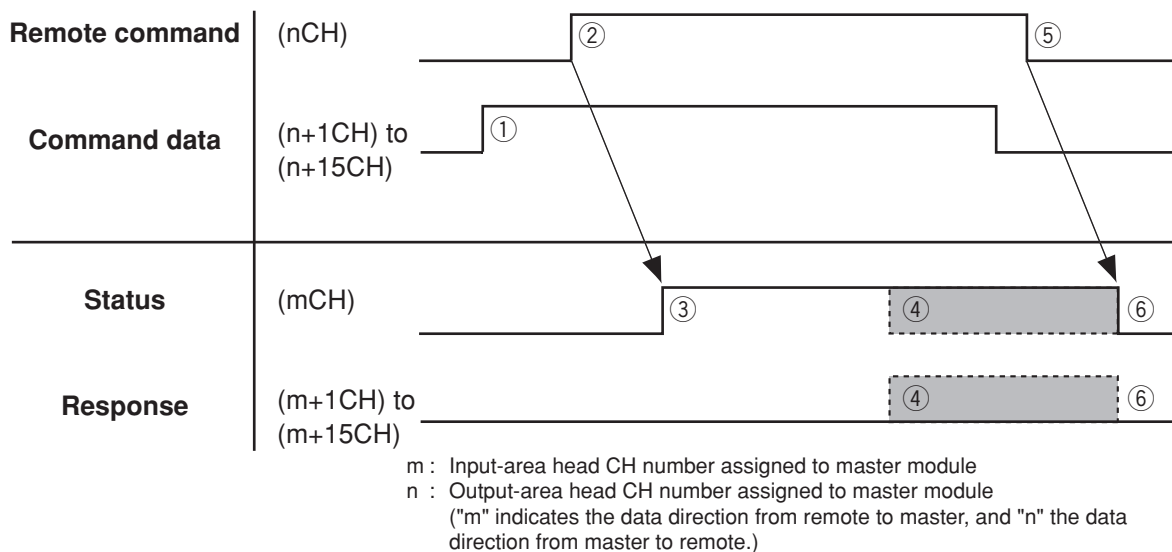
Section No.	Contents
00	Actual axis d
01	Axis-d of main robot
02	Axis-d of sub robot
04	Main robot
05	Sub robot
09	d task

Here, d shows a detail value for the additional information.

- * For example, 0x0C02 is set in (m+1CH) as the error code when the remote command was interrupted by an interlock signal.
- * For information on the error code, refer to the error message section of the robot controller user's manual.

2. Sending and receiving remote commands

Remote register transmit and receive is performed as follows.



NOTE

Remote commands must be held until the status changes to a normal end (0x0200) or an abnormal end (0x4000). If a remote command is changed before the status changes to an end, the status of the remote command executed will not be reflected.

- ① Command data setting
- ② Remote command setting
- ③ Status shifts to command run status (0x0100).
(If the command is quickly executed, status may sometimes shift to normal end status (0x0200) without changing to command run status (0x0100).)
- ④ Shifts to response change and normal end status (0x0200) or to abnormal end status (0x4000).
- ⑤ Status reset command (0x0000) setting
- ⑥ Status and response shifts to command ready status.

Example: Typical transmit/receive when running a PTP movement command (all axes, program speed 50%) to point 19 is shown below.

- ① To run the PTP movement command for the designated point, enter the value in the registers shown below.
 - (n+1CH) : command flag (0x0004 = speed setting)
 - (n+3CH) : speed setting (0x0032=50%)
 - (n+4CH) : point setting (0x0013= point 19)
- ② Enter the PTP movement command (0x0001) for the designated point into the (nCH).

- ③ The robot controller receives the remote command and starts running it if the command code and command data can be executed. Status now shifts to command run status (0x0100). The robot moves to the position designated as point 19 at the program speed (50% of normal speed). If the command cannot be executed, status shifts to abnormal end status (0x4000) and (m+1CH) changes to an error code.
- ④ When finished executing the remote command, status changes to normal end status (0x0200). Response information is changed at the same time if present.
- ⑤ The current remote command has now finished, so set the status reset command (0x0000) in (nCH) in order to issue the next command.
- ⑥ The status and response shift to command ready status (0x0000).

3. Remote command & remote status tables

Remote commands and remote status codes are shown in hexadecimal notation.

■ Remote Command

Command contents		Meaning
Category	(nCH)	
Special	0x0000	Status reset command
	0x8000	Main robot current position reference command
	0x4000	Sub robot current position reference command
1	0x00nn	Movement command and associated command (including commands supported with IO command)
2	0x01nn	Definition and reference command
3	0x02nn	Arithmetic command
4	0x03nn	I/O port command
5	0x04nn	Key operation command
6	0x05nn	Data handling command

n : Output-area head CH number assigned to master module
("n" indicates the data direction from master to remote.)

* nn is determined by the particular remote command.

■ Remote Status

Status contents				Meaning
(mCH)	(m+1CH)	(m+2CH)	From (m+3CH)	
0x0000	0x0000			Command ready status
0x0100	0x0000 or response data			Command run status
0x0200	Response data			Normal end status
0x4000	Error code	Additional information	0x0000	Abnormal end status

m : Input-area head CH number assigned to master module
("m" indicates the data direction from remote to master.)

■ Category 1

No.	Command contents		Command code (nCH)		
			Main robot	Sub robot	
1-1	MOVE command	PTP point designation		0x0001	0x0081
		Arch designation		0x0002	0x0082
		Linear interpolation		0x0003	0x0083
		Circular interpolation		0x0004	0x0084
		Direct PTP designation	Millimeter units	0x0006	0x0086
Pulse units	0x0007		0x0087		
1-2	MOVEI command	PTP point designation		0x0009	0x0089
		Direct PTP designation	Millimeter units	0x000E	0x008E
			Pulse units	0x000F	0x008F
1-3	DRIVE command	Point designation		0x0010	0x0090
		Direct designation	Millimeter units	0x0012	0x0092
			Pulse units	0x0013	0x0093
1-4	DRIVEI command	Point designation		0x0014	0x0094
		Direct designation	Millimeter units	0x0016	0x0096
			Pulse units	0x0017	0x0097
1-5	Pallet command	PTP designation		0x0018	0x0098
		Arch designation		0x0019	0x0099
1-6	Jog movement command			0x0020	0x00A0
1-7	Inching movement command			0x0024	0x00A4
1-8	Point teaching command			0x0028	0x00A8
1-9	Absolute reset movement command			0x0030	0x00B0
1-10	Absolute reset command			0x0031	0x00B1
1-11	Return-to-origin command			0x0032	0x00B2
1-12	Servo command	On designation		0x0034	0x00B4
		Off designation		0x0035	0x00B5
		Free designation		0x0036	0x00B6
		Power-on designation		0x0037	
1-13	Manual speed change command			0x0038	0x00B8
1-14	Automatic speed change command			0x0039	0x00B9
1-15	Program speed change command			0x003A	0x00BA
1-16	Shift designation change command			0x003B	0x00BB
1-17	Hand designation change command			0x003C	0x00BC
1-18	Arm designation change command			0x003D	0x00BD
1-19	Point display unit designation command			0x003E	

- * The DRIVE command (1-3) and DRIVEI command (1-4) are only valid for a single axis.
- * The movement methods on the jog movement command (1-6) and inching movement command (1-7) will differ according to the point units that were specified.
- * Point units for the point teaching command (1-8) will differ according to the point units that were specified.
- * If no axis is specified, the absolute reset command (1-10) is executed on all axes (main robot + sub robot) in either case of command code 0x0031 or 0x00B1.
- * If no axis is specified, the return-to-origin command (1-11) is executed on all axes (main robot + sub robot) in either case of command code 0x0032 or 0x00B2.
- * The point unit designation command (1-19) is for use on the controller.



NOTE

- In the MOVE command, linear interpolation (0x0083) and circular interpolation (0x0084) for sub robot are only available on the following software versions.

RCX14x: Ver. 8.64 onwards RCX22x: Ver. 9.11 onwards RCX240: all versions

- On controllers whose software version is earlier than 8.45 (RCX14x), the return-to-origin command is always executed on all axes (main robot + sub robot) and command code 0x0032 can only be used.

3. Remote command & remote status tables

■ Category 2

No.	Command contents		Command code (nCH)	
2-1	Point-related command	Point data definition	0x0100	
		Point data reference	0x0101	
2-2	Point comment-related command	Point comment data definition	0x0104	
		Point comment data reference	0x0105	
2-3	Pallet-related command	Pallet data definition	0x0108	
		Pallet data reference	0x0109	
2-4	Shift-related command	Shift data definition	0x010C	
		Shift data reference	0x010D	
2-5	Hand-related command	Hand data definition	Main robot	0x0110
			Sub robot	0x0190
		Hand data reference	0x0111	

■ Category 3

No.	Command contents		Command code (nCH)	
3-1	Static variable-related commands	Assignment	Value	0x0200
			Variable	0x0201
		Addition	Value	0x0204
			Variable	0x0205
		Subtraction	Value	0x0208
			Variable	0x0209
		Multiplication	Value	0x020C
			Variable	0x020D
		Division	Value	0x0210
			Variable	0x0211
Reference	Variable	0x0214		
3-2	Parameter-related command	Assignment	Main robot	0x0220
			Sub robot	0x02A0
		Reference	Main robot	0x0224
			Sub robot	0x02A4
3-3	Point-related command	Point assignment		0x0230
		Addition		0x0234
		Subtraction		0x0235
		Pallet point assignment		0x0238
3-4	Element assignment command	Point element assignmen	"x1" input format	0x0240
			"x100" input format	0x0241
		Shift element assignment	"x100" input format	0x0245

■ Category 4

No.	Command contents		Command code (nCH)	
4-1	I/O port-related commands	Assignment	Port units	0x0300
			Bit units	0x0301
		Reference	Port units	0x0304

■ Category 5

No.	Command contents		Command code (nCH)
5-1	Execution program designation		0x0401
5-2	Program execution	Program execution	0x0402
		Program step execution	0x0403
		Program skip execution	0x0404
		Program next execution	0x0405
5-3	Program reset		0x0406
5-4	Program task switching		0x0407
5-5	Program execution information reference		0x0408

■ Category 6

No.	Command contents		Command code (nCH)	
6-1	Version information reference		0x0501	
6-2	Controller configuration reference		0x0502	
6-3	Servo status reference		0x0503	
6-4	Absolute reset status reference		0x0504	
6-5	Current position reference	Pulse units	Main robot	0x0505
			Sub robot	0x0585
		Millimeter units	Main robot	0x0506
			Sub robot	0x0586
6-6	Task status reference		0x0507	
6-7	Task execution reference		0x0508	
6-8	Message reference		0x0509	
6-9	Speed status reference		0x050A	
6-10	Arm designation status reference		0x050B	
6-11	Arm status reference		0x050C	
6-12	Service mode status reference		0x050D	
6-13	Point unit status reference		0x050E	
6-14	Return-to-origin status reference		0x050F	

4. Remote command information

4.1 Special commands

Special commands are used in applications different from other remote commands. A list of those commands is shown below.

No.	Command contents	Command code (nCH)
1	Status reset command	0x0000
2	Main robot current position reference command	0x8000
3	Sub robot current position reference command	0x4000

4.1.1 Status reset command

This command is executed to set the status to command ready status (0x0000). Remote commands cannot be executed unless in command ready status (0x0000). Therefore after executing a remote command, this command must always be executed before running the next command.

■ Command

Channel	Contents	Value
(nCH)	Command code	0x0000
(n+1CH)	Not used	0x0000
to		
(n+15CH)		

■ Status

Channel	Contents	Value
(mCH)	Status code	0x0000
(m+1CH)	Response	
to		
(m+15CH)		

4.1.2 Main robot current position reference command

Execute this command to obtain the main robot current position data. This command returns normal end status (0x0200) as the status code, but continually executes the main robot current position reference command until the status reset command is run. Units for the current position obtained at this time are the same as the point unit system of the controller. This command is useful when constantly monitoring the main robot current position.

■ Command

Channel	Contents	Value
(nCH)	Command code	0x8000
(n+1CH)	Not used	0x0000
to		
(n+15CH)		

■ Status

Channel	Contents		Value
(mCH)	Status code		0x0200
(m+1CH)	Not used		
(m+2CH)	Not used		
(m+3CH)	Point flag	bit 0	a
		bit 15–bit 1	0
(m+4CH)	Axis-1 data		0xbbbbbbbb
(m+5CH)	Axis-1 data		0xbbbbbbbb
(m+6CH)	Axis-2 data		0xbbbbbbbb
(m+7CH)	Axis-2 data		0xbbbbbbbb
(m+8CH)	Axis-3 data		0xbbbbbbbb
(m+9CH)	Axis-3 data		0xbbbbbbbb
(m+10CH)	Axis-4 data		0xbbbbbbbb
(m+11CH)	Axis-4 data		0xbbbbbbbb
(m+12CH)	Axis-5 data		0xbbbbbbbb
(m+13CH)	Axis-5 data		0xbbbbbbbb
(m+14CH)	Axis-6 data		0xbbbbbbbb
(m+15CH)	Axis-6 data		0xbbbbbbbb

a : Shows in 1 bit the units for the current position data obtained. Linked with point display unit of controller.

Value	Meaning
0	Pulse units
1	Millimeter units

bbbbbbbb : Shows the data in 32 bits. (little endian)
 Data is shown in integers when units are in pulses.
 Data is shown in integers (x100) when units are in millimeters.

Example:
 Values are expressed as shown at right when controller display units are in millimeters and with:

Axis 1 = 200.01
 Axis 3 = -123.45
 Other axes = 0.00

Channel	Value
(mCH)	0x0200
(m+1CH)	0x0000
(m+2CH)	0x0000
(m+3CH)	0x0001
(m+4CH)	0x4E21
(m+5CH)	0x0000
(m+6CH)	0x0000
(m+7CH)	0x0000
(m+8CH)	0xCFC7
(m+9CH)	0xFFFF
(m+10CH)	0x0000
(m+11CH)	0x0000
(m+12CH)	0x0000
(m+13CH)	0x0000
(m+14CH)	0x0000
(m+15CH)	0x0000

4.1.3 Sub robot current position reference command

Execute this command to obtain the sub robot current position data. This command returns normal end status (0x0200) as the status code, but continually executes the sub robot current position reference command until the status reset command is run. Units for the current position obtained at this time are the same as the point unit system of the controller. This command is valid when constantly monitoring the sub robot current position.

■ Command

Channel	Contents	Value
(nCH)	Command code	0x4000
(n+1CH)	Not used	0x0000
to		
(n+15CH)		

■ Status

Channel	Contents	Value		
(mCH)	Status code	0x0200		
(m+1CH)	Not used			
(m+2CH)				
(m+3CH)	Point flag	bit 0	Point unit	a
		bit 15-bit 1	Not used	0
(m+4CH)	Axis-1 data			0xbbbbbbbb
(m+5CH)				
(m+6CH)	Axis-2 data			0xbbbbbbbb
(m+7CH)				
(m+8CH)	Axis-3 data			0xbbbbbbbb
(m+9CH)				
(m+10CH)	Axis-4 data			0xbbbbbbbb
(m+11CH)				
(m+12CH)	Axis-5 data			0xbbbbbbbb
(m+13CH)				
(m+14CH)	Axis-6 data			0xbbbbbbbb
(m+15CH)				

a : Shows in 1 bit the units for the current position data obtained.
Linked with point display unit of controller.

Value	Meaning
0	Pulse units
1	Millimeter units

bbbbbbbb : Shows the data in 32 bits. (little endian)
Data is shown in integers when units are in pulses.
Data is shown in integers (x100) when units are in millimeters.

Example:

Values are expressed as shown at right when controller display units are in pulses and with:

Axis 1 = 123456
Axis 2 = -123
Other axes = 0

Channel	Value
(mCH)	0x0200
(m+1CH)	0x0000
(m+2CH)	0x0000
(m+3CH)	0x0000
(m+4CH)	0xE240
(m+5CH)	0x0001
(m+6CH)	0xFF85
(m+7CH)	0xFFFF
(m+8CH)	0x0000
(m+9CH)	0x0000
(m+10CH)	0x0000
(m+11CH)	0x0000
(m+12CH)	0x0000
(m+13CH)	0x0000
(m+14CH)	0x0000
(m+15CH)	0x0000

4.2 Category 1 remote commands

These are remote commands mainly for movement commands. A list of these commands is shown below.

No.	Command contents		Command code (nCH)		
			Main robot	Sub robot	
1	MOVE command	PTP point designation		0x0001	0x0081
		Arch designation		0x0002	0x0082
		Linear interpolation		0x0003	0x0083
		Circular interpolation		0x0004	0x0084
		Direct PTP designation	Millimeter units	0x0006	0x0086
Pulse units	0x0007		0x0087		
2	MOVEI command	PTP point designation		0x0009	0x0089
		Direct PTP designation	Millimeter units	0x000E	0x008E
			Pulse units	0x000F	0x008F
3	DRIVE command	Point designation		0x0010	0x0090
		Direct designation	Millimeter units	0x0012	0x0092
			Pulse units	0x0013	0x0093
4	DRIVEI command	Point designation		0x0014	0x0094
		Direct designation	Millimeter units	0x0016	0x0096
			Pulse units	0x0017	0x0097
5	Pallet command	PTP designation		0x0018	0x0098
		Arch designation		0x0019	0x0099
6	Jog movement command			0x0020	0x00A0
7	Inching movement command			0x0024	0x00A4
8	Point teaching command			0x0028	0x00A8
9	Absolute reset movement command			0x0030	0x00B0
10	Absolute reset command			0x0031	0x00B1
11	Return-to-origin command			0x0032	0x00B2
12	Servo command	On designation		0x0034	0x00B4
		Off designation		0x0035	0x00B5
		Free designation		0x0036	0x00B6
		Power-on designation		0x0037	
13	Manual speed change command			0x0038	0x00B8
14	Automatic speed change command			0x0039	0x00B9
15	Program speed change command			0x003A	0x00BA
16	Shift designation change command			0x003B	0x00BB
17	Hand designation change command			0x003C	0x00BC
18	Arm designation change command			0x003D	0x00BD
19	Point display unit designation command			0x003E	

m: Input-area head CH number assigned to master module
 n: Output-area head CH number assigned to master module
 ("m" indicates the data direction from remote to master, and "n" the data direction from master to remote.)

- * The DRIVE command (3) and DRIVEI command (4) are only valid for a single axis.
- * The movement methods on the jog movement command (6) and inching movement command (7) will differ according to the point units that were specified.
- * Point units for the point teaching command (8) will differ according to the point units that were specified.
- * If no axis is specified, the absolute reset command (10) is executed on all axes (main robot + sub robot) in either case of command code 0x0031 or 0x00B1.
- * If no axis is specified, the return-to-origin command (11) is executed on all axes (main robot + sub robot) in either case of command code 0x0032 or 0x00B2.
- * The point unit designation command (19) is for use on the controller.



NOTE

- In the MOVE command, linear interpolation (0x0083) and circular interpolation (0x0084) for sub robot are only available on the following software versions.
 RCX14x: Ver. 8.64 onwards RCX22x: Ver. 9.11 onwards RCX240: all versions
- On controllers whose software version is earlier than 8.45 (RCX14x), the return-to-origin command is always executed on all axes (main robot + sub robot) and command code 0x0032 can only be used.

4.2.1 MOVE command

Execute this command group to move the robot to an absolute position.

4.2.1.1 PTP designation

This command moves the robot to a target position in PTP motion by specifying the point number.

■ Command

Channel	Contents		Value
(nCH)	Command code		For main robot
			For sub robot
(n+1CH)	Command flag	bit 0	Axis designation flag
		bit 2–bit 1	Speed designation flag
		bit 14–bit 3	(0:Fixed)
		bit 15	Current position output designation flag
(n+2CH)	Specified axis to move	bit 0	Axis 1
		bit 1	Axis 2
		bit 2	Axis 3
		bit 3	Axis 4
		bit 4	Axis 5
		bit 5	Axis 6
(n+3CH)	Specified speed		0xssss
(n+4CH)	Point number		0xpppp
(n+5CH)	Not used		0x0000
to			
(n+15CH)			

a : Specify in 1 bit whether all axes are designated.

Value	Meaning
0	All axes are specified.
1	One or more axes are specified.

bb : Specify the speed setting method in 2 bits.

Value	Meaning
00	Speed is not specified.
10	Speed is set in %.

n : Specify in 1 bit whether to output current position.

Value	Meaning
0	No output.
1	Output.

tt : Specify the axis to move in bit pattern using lower 8 bits. Valid when axis designation flag is 1.

ssss : Specify the movement speed in 16 bits.
Specified range: 1 (=0x0001) to 100 (=0x0064)

pppp : Specify the point number in 16 bits.
Specified range: 0 (=0x0000) to 9999 (=0x270F)



CAUTION

In the RCX40 controllers whose software version is earlier than 8.28, point numbers from 0 to 4000 can be specified.

■ Status

Normal end

Channel	Contents		Value
(mCH)	Status code		0x0200
(m+1CH)	Not used		
(m+2CH)	Not used		
(m+3CH)	Point flag	bit 0	Point unit
		bit 15–bit 1	Not used
(m+4CH)	Axis-1 data		0xbbbbbbbb
(m+5CH)	Axis-2 data		0xbbbbbbbb
(m+6CH)	Axis-3 data		0xbbbbbbbb
(m+7CH)	Axis-4 data		0xbbbbbbbb
(m+8CH)	Axis-5 data		0xbbbbbbbb
(m+9CH)	Axis-6 data		0xbbbbbbbb
(m+10CH)	Axis-1 data		0xbbbbbbbb
(m+11CH)	Axis-2 data		0xbbbbbbbb
(m+12CH)	Axis-3 data		0xbbbbbbbb
(m+13CH)	Axis-4 data		0xbbbbbbbb
(m+14CH)	Axis-5 data		0xbbbbbbbb
(m+15CH)	Axis-6 data		0xbbbbbbbb

a : Shows in 1 bit the units for current position output point data. Linked with point display unit of controller.

Value	Meaning
0	Pulse units
1	Millimeter units

bbbbbbbb : Shows the current position output data in 32 bits. (little endian)
Data is shown in integers when point display units are in pulses.
Data is shown in integers (x100) when point display units are in millimeters.

Abnormal end

Channel	Contents	Value
(mCH)	Status code	0x4000
(m+1CH)	Error code	0xaabb
(m+2CH)	Additional information	0xccdd
(m+3CH)	Not used	
to		
(m+15CH)		

aabb : Shows the group number in upper 8 bits, and the category number in lower 8 bits.

ccdd : Shows the additional information section in upper 8 bits, and the detail value in lower 8 bits.

Example:

Specify the MOVE command with PTP designation as shown at right, when moving all axes of the main robot to point number 100 at 50% speed. The current position output is specified at this time.

Values are expressed as shown at right when controller display units are in pulses and with:

Axis 1 = 123456
 Axis 2 = -123
 Other axes = 0

Channel	Value
(nCH)	0x0001
(n+1CH)	0x8004
(n+2CH)	0x0000
(n+3CH)	0x0032
(n+4CH)	0x0064
(n+5CH)	0x0000
(n+6CH)	0x0000
(n+7CH)	0x0000
(n+8CH)	0x0000
(n+9CH)	0x0000
(n+10CH)	0x0000
(n+11CH)	0x0000
(n+12CH)	0x0000
(n+13CH)	0x0000
(n+14CH)	0x0000
(n+15CH)	0x0000

Channel	Value
(mCH)	0x0200
(m+1CH)	0x0000
(m+2CH)	0x0000
(m+3CH)	0x0000
(m+4CH)	0xE240
(m+5CH)	0x0001
(m+6CH)	0xFF85
(m+7CH)	0xFFFF
(m+8CH)	0x0000
(m+9CH)	0x0000
(m+10CH)	0x0000
(m+11CH)	0x0000
(m+12CH)	0x0000
(m+13CH)	0x0000
(m+14CH)	0x0000
(m+15CH)	0x0000

4.2.1.2 Arch designation

This command moves the robot to a target position in arch motion by specifying the point number, arch axis and arch data.

■ **Command**

Channel	Contents		Value
(nCH)	Command code	For main robot	0x0002
		For sub robot	0x0082
(n+1CH)	Command flag	bit 0	Axis designation flag
		bit 2–bit 1	Speed designation flag
		bit 3	(0:Fixed)
		bit 4	Arch data unit flag
		bit 14–bit 5	(0:Fixed)
		bit 15	Current position output designation flag
(n+2CH)	Specified axis to move	bit 0	Axis 1
		bit 1	Axis 2
		bit 2	Axis 3
		bit 3	Axis 4
		bit 4	Axis 5
		bit 5	Axis 6
		bit 7–bit 6	(0:Fixed)
	Arch designation axis	bit 8	Axis 1
		bit 9	Axis 2
		bit 10	Axis 3
		bit 11	Axis 4
		bit 12	Axis 5
		bit 13	Axis 6
		bit 15–bit 14	(0:Fixed)
(n+3CH)	Specified speed	0xssss	
(n+4CH)	Point number	0xpppp	
(n+5CH)	Not used	0x0000	
(n+6CH)			
(n+7CH)			
(n+8CH)	Arch position data	0xqqqqqqqq	
(n+9CH)			
(n+10CH)	Not used	0x0000	
to			
(n+15CH)			

a : Specify in 1 bit how to designate axis.

Value	Meaning
0	All axes are specified.
1	One or more axes are specified.

bb : Specify the speed setting method in 2 bits.

Value	Meaning
00	Speed is not specified.
10	Speed is set in %.

d : Specify the arch data units in 1 bit.

Value	Meaning
0	Pulse units
1	Millimeter units

n : Specify in 1 bit whether to output current position.

Value	Meaning
0	No output.
1	Output.

tt : Specify the axis to move in bit pattern using lower 8 bits.
Valid when axis designation flag is 1.

uu : Specify the arch motion axis in bit pattern using upper 8 bits.
Specified arch axis is one axis only.

ssss : Specify the speed in 16 bits.
Specified range: 1 (=0x0001) to 100 (=0x0064)

pppp : Specify the point number in 16 bits.
Specified range: 0 (=0x0000) to 9999 (=0x270F)

qqqqqqqq : Specify the arch position in 32 bits. (little endian)
Data should be integers when units are in pulses.
Data should be integers (x100) when units are in millimeters.



CAUTION

In the RCX40 controllers whose software version is earlier than 8.28, point numbers from 0 to 4000 can be specified.

■ Status

Normal end

Channel	Contents		Value
(mCH)	Status code		0x0200
(m+1CH)	Not used		
(m+2CH)	Not used		
(m+3CH)	Point flag	bit 0	Point unit
		bit 15-bit 1	Not used
(m+4CH)	Axis-1 data		0xbbbbbbbb
(m+5CH)	Axis-1 data		0xbbbbbbbb
(m+6CH)	Axis-2 data		0xbbbbbbbb
(m+7CH)	Axis-2 data		0xbbbbbbbb
(m+8CH)	Axis-3 data		0xbbbbbbbb
(m+9CH)	Axis-3 data		0xbbbbbbbb
(m+10CH)	Axis-4 data		0xbbbbbbbb
(m+11CH)	Axis-4 data		0xbbbbbbbb
(m+12CH)	Axis-5 data		0xbbbbbbbb
(m+13CH)	Axis-5 data		0xbbbbbbbb
(m+14CH)	Axis-6 data		0xbbbbbbbb
(m+15CH)	Axis-6 data		0xbbbbbbbb

a : Shows in 1 bit the units for current position output point data.
Linked with point display unit of controller.

Value	Meaning
0	Pulse units
1	Millimeter units

bbbbbbbb : Shows the current position output data in 32 bits. (little endian)
Data is shown in integers when point display units are in pulses.
Data is shown in integers (x100) when point display units are in millimeters.

Abnormal end

Channel	Contents	Value
(mCH)	Status code	0x4000
(m+1CH)	Error code	0xaabb
(m+2CH)	Additional information	0xccdd
(m+3CH)	Not used	
to		
(m+15CH)		

aabb : Shows the group number in upper 8 bits, and the category number in lower 8 bits.

ccdd : Shows the additional information section in upper 8 bits, and the detail value in lower 8 bits.

Example:

Specify the MOVE command with arch designation as shown at right, when moving all axes of the main robot to point number 100 at 50% speed by way of a Z-axis arch position of 10.00mm. The current position output is specified at this time.

Channel	Value
(nCH)	0x0002
(n+1CH)	0x8014
(n+2CH)	0x0400
(n+3CH)	0x0032
(n+4CH)	0x0064
(n+5CH)	0x0000
(n+6CH)	0x0000
(n+7CH)	0x0000
(n+8CH)	0x03E8
(n+9CH)	0x0000
(n+10CH)	0x0000
(n+11CH)	0x0000
(n+12CH)	0x0000
(n+13CH)	0x0000
(n+14CH)	0x0000
(n+15CH)	0x0000

Values are expressed as shown at right when controller display units are in millimeters and with:

Axis 1 = 123.45
 Axis 2 = -1.23
 Axis 3 = 50.00
 Axis 4 = 90.23
 Other axes = 0.00

Channel	Value
(mCH)	0x0200
(m+1CH)	0x0000
(m+2CH)	0x0000
(m+3CH)	0x0001
(m+4CH)	0x3039
(m+5CH)	0x0000
(m+6CH)	0xFF85
(m+7CH)	0xFFFF
(m+8CH)	0x1388
(m+9CH)	0x0000
(m+10CH)	0x233F
(m+11CH)	0x0000
(m+12CH)	0x0000
(m+13CH)	0x0000
(m+14CH)	0x0000
(m+15CH)	0x0000

4.2.1.3 Linear interpolation

This command moves the robot to a target position by linear interpolation by specifying the point number.



NOTE

In the MOVE command, linear interpolation (0x0083) for sub robot is only available on the following software versions.

RCX14x: Ver. 8.64 onwards RCX22x: Ver. 9.11 onwards RCX240: all versions

■ Command

Channel	Contents		Value
(nCH)	Command code		For main robot 0x0003
			For sub robot 0x0083
(n+1CH)	Command flag	bit 0	(0:Fixed) 0
		bit 2–bit 1	Speed designation flag bb
		bit 4–bit 3	(0:Fixed) 0
		bit 5	Acceleration designation flag d
		bit 6	Deceleration designation flag e
		bit 14–bit 7	(0:Fixed) 0
		bit 15	Current position output designation flag n
(n+2CH)	Not used		0x0000
(n+3CH)	Specified speed		0xssss
(n+4CH)	Point number		0xpppp
(n+5CH)	Not used		0x0000
to			
(n+9CH)			
(n+10CH)	Acceleration designation		0xrrrr
(n+11CH)	Deceleration designation		0xrrrr
(n+12CH)	Not used		0x0000
to			
(n+15CH)			

bb : Specify the speed setting method in 2 bits.

Value	Meaning
00	Speed is not specified.
10	Speed is set in %.
11	Speed is specified in mm/s.

d : Specify in 1 bit whether to set acceleration.

Value	Meaning
0	Acceleration is not specified.
1	Acceleration is specified.

e : Specify in 1 bit whether to set deceleration.

Value	Meaning
0	Deceleration is not specified.
1	Deceleration is specified.

n : Specify in 1 bit whether to output current position.

Value	Meaning
0	No output.
1	Output.

- ssss : Specify the speed in 16 bits.
Specified range: Speed % : 1 (=0x0001) to 100 (=0x0064)
Specified speed in mm/s : 1 (=0x0001) to 1000 (=0x03E8)
- pppp : Specify the point number in 16 bits.
Specified range: 0 (=0x0000) to 9999 (=0x270F)
- rrrr : Specify the acceleration and deceleration in 16 bits.
Specified range: 1 (=0x0001) to 100 (=0x0064)



CAUTION In the RCX40 controllers whose software version is earlier than 8.28, point numbers from 0 to 4000 can be specified.

■ Status

Normal end

Channel	Contents		Value
(mCH)	Status code		0x0200
(m+1CH)	Not used		
(m+2CH)	Not used		
(m+3CH)	Point flag	bit 0	a
		bit 15–bit 1	0
(m+4CH)	Axis-1 data		0xbbbbbbbb
(m+5CH)	Axis-1 data		0xbbbbbbbb
(m+6CH)	Axis-2 data		0xbbbbbbbb
(m+7CH)	Axis-2 data		0xbbbbbbbb
(m+8CH)	Axis-3 data		0xbbbbbbbb
(m+9CH)	Axis-3 data		0xbbbbbbbb
(m+10CH)	Axis-4 data		0xbbbbbbbb
(m+11CH)	Axis-4 data		0xbbbbbbbb
(m+12CH)	Axis-5 data		0xbbbbbbbb
(m+13CH)	Axis-5 data		0xbbbbbbbb
(m+14CH)	Axis-6 data		0xbbbbbbbb
(m+15CH)	Axis-6 data		0xbbbbbbbb

a : Shows in 1 bit the units for current position output point data.
Linked with point display unit of controller.

Value	Meaning
0	Pulse units
1	Millimeter units

bbbbbbbb : Shows the current position output data in 32 bits. (little endian)
Data is shown in integers when point display units are in pulses.
Data is shown in integers (x100) when point display units are in millimeters.

Abnormal end

Channel	Contents	Value
(mCH)	Status code	0x4000
(m+1CH)	Error code	0xaabb
(m+2CH)	Additional information	0xccdd
(m+3CH)	Not used	
to		
(m+15CH)		

aabb : Shows the group number in upper 8 bits, and the category number in lower 8 bits.

ccdd : Shows the additional information section in upper 8 bits, and the detail value in lower 8 bits.

Example:

Specify the MOVE command with linear interpolation as shown at right, when moving all axes of the main robot to point number 100 at a speed of 200 mm/s and at 50% acceleration. The current position output is specified at this time.

Values are expressed as shown at right when controller display units are in millimeters and with:

Axis 1 = 123.45
 Axis 2 = -1.23
 Axis 3 = 50.00
 Axis 4 = 90.23
 Other axes = 0.00

Channel	Value
(nCH)	0x0003
(n+1CH)	0x8026
(n+2CH)	0x0000
(n+3CH)	0x00C8
(n+4CH)	0x0064
(n+5CH)	0x0000
(n+6CH)	0x0000
(n+7CH)	0x0000
(n+8CH)	0x0000
(n+9CH)	0x0000
(n+10CH)	0x0032
(n+11CH)	0x0000
(n+12CH)	0x0000
(n+13CH)	0x0000
(n+14CH)	0x0000
(n+15CH)	0x0000

Channel	Value
(mCH)	0x0200
(m+1CH)	0x0000
(m+2CH)	0x0000
(m+3CH)	0x0001
(m+4CH)	0x3039
(m+5CH)	0x0000
(m+6CH)	0xFF85
(m+7CH)	0xFFFF
(m+8CH)	0x1388
(m+9CH)	0x0000
(m+10CH)	0x233F
(m+11CH)	0x0000
(m+12CH)	0x0000
(m+13CH)	0x0000
(m+14CH)	0x0000
(m+15CH)	0x0000

4.2.1.4 Circular interpolation

This command moves the robot to a target position by circular interpolation by specifying two point numbers.



NOTE

In the MOVE command, circular interpolation (0x0084) for sub robot is only available on the following software versions.

RCX14x: Ver. 8.64 onwards RCX22x: Ver. 9.11 onwards RCX240: all versions

■ Command

Channel	Contents		Value
(nCH)	Command code		For main robot
			For sub robot
(n+1CH)	Command flag	bit 0	(0:Fixed)
		bit 2–bit 1	Speed designation flag
		bit 4–bit 3	(0:Fixed)
		bit 5	Acceleration designation flag
		bit 6	Deceleration designation flag
		bit 14–bit 7	(0:Fixed)
		bit 15	Current position output designation flag
(n+2CH)	Not used		0x0000
(n+3CH)	Specified speed		0xssss
(n+4CH)	First point number		0xpppp
(n+5CH)	Second point number		0xpppp
(n+6CH)	Not used		0x0000
to			
(n+9CH)			
(n+10CH)	Acceleration designation		0xrrrr
(n+11CH)	Deceleration designation		0xrrrr
(n+12CH)	Not used		0x0000
to			
(n+15CH)			

bb : Specify the speed setting method in 2 bits.

Value	Meaning
00	Speed is not specified.
10	Speed is set in %.
11	Speed is specified in mm/s.

d : Specify in 1 bit whether to set acceleration.

Value	Meaning
0	Acceleration is not specified.
1	Acceleration is specified.

e : Specifies in 1 bit whether to set deceleration.

Value	Meaning
0	Deceleration is not specified.
1	Deceleration is specified.

n : Specify in 1 bit whether to output current position.

Value	Meaning
0	No output.
1	Output.

- ssss : Specify the speed in 16 bits.
Specified range: Speed % : 1 (=0x0001) to 100 (=0x0064)
Specified speed in mm/s : 1 (=0x0001) to 1000 (=0x03E8)
- pppp : Specify the first and second point numbers in 16 bits.
Specified range: 0 (=0x0000) to 9999 (=0x270F)
- rrrr : Specify the acceleration and deceleration in 16 bits.
Specified range: 1 (=0x0001) to 100 (=0x0064)

**CAUTION**

In the RCX40 controllers whose software version is earlier than 8.28, point numbers from 0 to 4000 can be specified.

■ Status

Normal end

Channel	Contents			Value
(mCH)	Status code			0x0200
(m+1CH)	Not used			
(m+2CH)	Not used			
(m+3CH)	Point flag	bit 0	Point unit	a
		bit 15-bit 1	Not used	0
(m+4CH)	Axis-1 data			0xbbbbbbbb
(m+5CH)	Axis-1 data			0xbbbbbbbb
(m+6CH)	Axis-2 data			0xbbbbbbbb
(m+7CH)	Axis-2 data			0xbbbbbbbb
(m+8CH)	Axis-3 data			0xbbbbbbbb
(m+9CH)	Axis-3 data			0xbbbbbbbb
(m+10CH)	Axis-4 data			0xbbbbbbbb
(m+11CH)	Axis-4 data			0xbbbbbbbb
(m+12CH)	Axis-5 data			0xbbbbbbbb
(m+13CH)	Axis-5 data			0xbbbbbbbb
(m+14CH)	Axis-6 data			0xbbbbbbbb
(m+15CH)	Axis-6 data			0xbbbbbbbb

- a : Shows in 1 bit the units for current position output point data.
Linked with point display unit of controller.

Value	Meaning
0	Pulse units
1	Millimeter units

- bbbbbbbb : Shows the current position output data in 32 bits. (little endian)
Data is shown in integers when point display units are in pulses.
Data is shown in integers (x100) when point display units are in millimeters.

Abnormal end

Channel	Contents	Value
(mCH)	Status code	0x4000
(m+1CH)	Error code	0xaabb
(m+2CH)	Additional information	0xccdd
(m+3CH)	Not used	
to		
(m+15CH)		

- aabb : Shows the group number in upper 8 bits, and the category number in lower 8 bits.
- ccdd : Shows the additional information section in upper 8 bits, and the detail value in lower 8 bits.

4. Remote command information

Example:

Specify the MOVE command with circular interpolation as shown at right, when moving all axes of the main robot to point numbers 100 and 101 at 20% speed and 50% deceleration. The current position output is specified at this time.

Channel	Value
(nCH)	0x0004
(n+1CH)	0x8044
(n+2CH)	0x0000
(n+3CH)	0x0014
(n+4CH)	0x0064
(n+5CH)	0x0065
(n+6CH)	0x0000
(n+7CH)	0x0000
(n+8CH)	0x0000
(n+9CH)	0x0000
(n+10CH)	0x0000
(n+11CH)	0x0032
(n+12CH)	0x0000
(n+13CH)	0x0000
(n+14CH)	0x0000
(n+15CH)	0x0000

Values are expressed as shown at right when controller display units are in millimeters and with:

Axis 1 = 123.45
 Axis 2 = -1.23
 Axis 3 = 50.00
 Axis 4 = 90.23
 Other axes = 0.00

Channel	Value
(mCH)	0x0200
(m+1CH)	0x0000
(m+2CH)	0x0000
(m+3CH)	0x0001
(m+4CH)	0x3039
(m+5CH)	0x0000
(m+6CH)	0xFF85
(m+7CH)	0xFFFF
(m+8CH)	0x1388
(m+9CH)	0x0000
(m+10CH)	0x233F
(m+11CH)	0x0000
(m+12CH)	0x0000
(m+13CH)	0x0000
(m+14CH)	0x0000
(m+15CH)	0x0000

4.2.1.5 Direct PTP designation (millimeter units)

This command moves the robot to a target position in PTP motion by directly specifying the data in millimeters.

■ Command

Channel	Contents		Value
(nCH)	Command code		For main robot 0x0006
			For sub robot 0x0086
(n+1CH)	Command flag	bit 0	Axis designation flag a
		bit 2–bit 1	Speed designation flag bb
		bit 14–bit 3	(0:Fixed) 0
		bit 15	Current position output designation flag n
(n+2CH)	Specified axis to move	bit 0	Axis 1
		bit 1	Axis 2
		bit 2	Axis 3
		bit 3	Axis 4
		bit 4	Axis 5
		bit 5	Axis 6
(n+3CH)	Specified speed	0xssss	
(n+4CH)	Axis-1 data	0xpppppppp	
(n+5CH)			
(n+6CH)	Axis-2 data	0xpppppppp	
(n+7CH)			
(n+8CH)	Axis-3 data	0xpppppppp	
(n+9CH)			
(n+10CH)	Axis-4 data	0xpppppppp	
(n+11CH)			
(n+12CH)	Axis-5 data	0xpppppppp	
(n+13CH)			
(n+14CH)	Axis-6 data	0xpppppppp	
(n+15CH)			

a : Specify in 1 bit whether all axes are designated.

Value	Meaning
0	All axes are specified.
1	One or more axes are specified.

bb : Specify the speed setting method in 2 bits.

Value	Meaning
00	Speed is not specified.
10	Speed is set in %.

n : Specify in 1 bit whether to output current position.

Value	Meaning
0	No output.
1	Output.

tt : Specify the axis to move in bit pattern using lower 8 bits. Valid when axis designation flag is 1.

ssss : Specify the speed in 16 bits.
Specified range: 1 (=0x0001) to 100 (=0x0064)

pppppppp : Specify the target position data for each axis in 32 bits.
(little endian)
Data should be integers (x100) in millimeter units.



CAUTION

Do not try to specify only axis 4 to move on SCARA robots. Attempting to specify only axis 4 will cause a "5.38: Illegal option".
When specifying axis 4, then also specify axis 1 and axis 2 at the same time.

■ **Status**

Normal end

Channel	Contents		Value
(mCH)	Status code		0x0200
(m+1CH)	Not used		
(m+2CH)	Not used		
(m+3CH)	Point flag	bit 0	Point unit
		bit 15–bit 1	Not used
(m+4CH)	Axis-1 data		0xbbbbbbbb
(m+5CH)	Axis-1 data		0xbbbbbbbb
(m+6CH)	Axis-2 data		0xbbbbbbbb
(m+7CH)	Axis-2 data		0xbbbbbbbb
(m+8CH)	Axis-3 data		0xbbbbbbbb
(m+9CH)	Axis-3 data		0xbbbbbbbb
(m+10CH)	Axis-4 data		0xbbbbbbbb
(m+11CH)	Axis-4 data		0xbbbbbbbb
(m+12CH)	Axis-5 data		0xbbbbbbbb
(m+13CH)	Axis-5 data		0xbbbbbbbb
(m+14CH)	Axis-6 data		0xbbbbbbbb
(m+15CH)	Axis-6 data		0xbbbbbbbb

a : Shows in 1 bit the units for current position output point data.
Linked with point display unit of controller.

Value	Meaning
0	Pulse units
1	Millimeter units

bbbbbbbb : Shows the current position output data in 32 bits. (little endian)
Data is shown in integers when point display units are in pulses.
Data is shown in integers (x100) when point display units are in millimeters.

Abnormal end

Channel	Contents	Value
(mCH)	Status code	0x4000
(m+1CH)	Error code	0xaabb
(m+2CH)	Additional information	0xccdd
(m+3CH)	Not used	
to		
(m+15CH)		

aabb : Shows the group number in upper 8 bits, and the category number in lower 8 bits.

ccdd : Shows the additional information section in upper 8 bits, and the detail value in lower 8 bits.

Example:

Specify the MOVE command with direct PTP designation (millimeter units) as shown at right, when moving all axes of the main robot to the following points at 50% speed.

Axis 1 = 100.00
 Axis 2 = -200.00
 Axis 3 = 50.00
 Axis 4 = -180.00
 Other axes = 0.00

The current position output is specified at this time.

Values are expressed as shown at right, when controller display units are in millimeters.

Channel	Value
(nCH)	0x0006
(n+1CH)	0x8004
(n+2CH)	0x0000
(n+3CH)	0x0032
(n+4CH)	0x2710
(n+5CH)	0x0000
(n+6CH)	0xB1E0
(n+7CH)	0xFFFF
(n+8CH)	0x1388
(n+9CH)	0x0000
(n+10CH)	0xB9B0
(n+11CH)	0xFFFF
(n+12CH)	0x0000
(n+13CH)	0x0000
(n+14CH)	0x0000
(n+15CH)	0x0000

Channel	Value
(mCH)	0x0200
(m+1CH)	0x0000
(m+2CH)	0x0000
(m+3CH)	0x0001
(m+4CH)	0x2710
(m+5CH)	0x0000
(m+6CH)	0xB1E0
(m+7CH)	0xFFFF
(m+8CH)	0x1388
(m+9CH)	0x0000
(m+10CH)	0xB9B0
(m+11CH)	0xFFFF
(m+12CH)	0x0000
(m+13CH)	0x0000
(m+14CH)	0x0000
(m+15CH)	0x0000

4.2.1.6 Direct PTP designation (pulse units)

This command moves the robot to a target position in PTP motion by directly specifying the data in pulses.

■ Command

Channel	Contents		Value
(nCH)	Command code	For main robot	0x0007
		For sub robot	0x0087
(n+1CH)	Command flag	bit 0	Axis designation flag
		bit 2–bit 1	Speed designation flag
		bit 14–bit 3	(0:Fixed)
		bit 15	Current position output designation flag
(n+2CH)	Specified axis to move	bit 0	Axis 1
		bit 1	Axis 2
		bit 2	Axis 3
		bit 3	Axis 4
		bit 4	Axis 5
		bit 5–bit 6	Axis 6 (0:Fixed)
(n+3CH)	Specified speed		0xssss
(n+4CH)	Axis-1 data		0xpppppppp
(n+5CH)			
(n+6CH)	Axis-2 data		0xpppppppp
(n+7CH)			
(n+8CH)	Axis-3 data		0xpppppppp
(n+9CH)			
(n+10CH)	Axis-4 data		0xpppppppp
(n+11CH)			
(n+12CH)	Axis-5 data		0xpppppppp
(n+13CH)			
(n+14CH)	Axis-6 data		0xpppppppp
(n+15CH)			

a : Specify in 1 bit whether all axes are designated.

Value	Meaning
0	All axes are specified.
1	One or more axes are specified.

bb : Specify the speed setting method in 2 bits.

Value	Meaning
00	Speed is not specified.
10	Speed is set in %.

n : Specify in 1 bit whether to output current position.

Value	Meaning
0	No output.
1	Output.

tt : Specify the axis to move in bit pattern using lower 8 bits. Valid when axis designation flag is 1.

ssss : Specify the speed in 16 bits.
Specified range: 1 (=0x0001) to 100 (=0x0064)

pppppppp : Specify the target position data for each axis in 32 bits.
(little endian)
Data should be integers in pulse units.

■ Status

Normal end

Channel	Contents		Value
(mCH)	Status code		0x0200
(m+1CH)	Not used		
(m+2CH)	Not used		
(m+3CH)	Point flag	bit 0	Point unit
		bit 15–bit 1	Not used
(m+4CH)	Axis-1 data		0xbbbbbbbb
(m+5CH)	Axis-1 data		0xbbbbbbbb
(m+6CH)	Axis-2 data		0xbbbbbbbb
(m+7CH)	Axis-2 data		0xbbbbbbbb
(m+8CH)	Axis-3 data		0xbbbbbbbb
(m+9CH)	Axis-3 data		0xbbbbbbbb
(m+10CH)	Axis-4 data		0xbbbbbbbb
(m+11CH)	Axis-4 data		0xbbbbbbbb
(m+12CH)	Axis-5 data		0xbbbbbbbb
(m+13CH)	Axis-5 data		0xbbbbbbbb
(m+14CH)	Axis-6 data		0xbbbbbbbb
(m+15CH)	Axis-6 data		0xbbbbbbbb

a : Shows in 1 bit the units for current position output point data. Linked with point display unit of controller.

Value	Meaning
0	Pulse units
1	Millimeter units

bbbbbbbb : Shows the current position output data in 32 bits. (little endian)
Data is shown in integers when point display units are in pulses.
Data is shown in integers (x100) when point display units are in millimeters.

Abnormal end

Channel	Contents	Value
(mCH)	Status code	0x4000
(m+1CH)	Error code	0xaabb
(m+2CH)	Additional information	0xccdd
(m+3CH)	Not used	
to		
(m+15CH)		

aabb : Shows the group number in upper 8 bits, and the category number in lower 8 bits.

ccdd : Shows the additional information section in upper 8 bits, and the detail value in lower 8 bits.

4. Remote command information

Example:

Specify the MOVE command with direct designation PTP (pulse units) as shown at right, when moving all axes of the main robot to the following points at 50% speed.

Axis 1 = 100000
 Axis 2 = -200000
 Axis 3 = 50000
 Axis 4 = -180000
 Other axes = 0

The current position output is specified at this time.

Values are expressed as shown at right, when controller display units are in pulses.

Channel	Value
(nCH)	0x0007
(n+1CH)	0x8004
(n+2CH)	0x0000
(n+3CH)	0x0032
(n+4CH)	0x86A0
(n+5CH)	0x0001
(n+6CH)	0xF2C0
(n+7CH)	0xFFFC
(n+8CH)	0xC350
(n+9CH)	0x0000
(n+10CH)	0x40E0
(n+11CH)	0xFFFFD
(n+12CH)	0x0000
(n+13CH)	0x0000
(n+14CH)	0x0000
(n+15CH)	0x0000

Channel	Value
(mCH)	0x0200
(m+1CH)	0x0000
(m+2CH)	0x0000
(m+3CH)	0x0000
(m+4CH)	0x86A0
(m+5CH)	0x0001
(m+6CH)	0xF2C0
(m+7CH)	0xFFFC
(m+8CH)	0xC350
(m+9CH)	0x0000
(m+10CH)	0x40E0
(m+11CH)	0xFFFFD
(m+12CH)	0x0000
(m+13CH)	0x0000
(m+14CH)	0x0000
(m+15CH)	0x0000

4.2.2 MOVEI command

Execute this command group to move the robot to a relative position.

4.2.2.1 PTP designation

This command moves the robot a specified distance in PTP motion by specifying the point number.



NOTE

- If the MOVEI command is interrupted and then re-executed in the controller versions shown below, the resumed motion can occur either to the original target position, or to a new target position referenced to the current position, in accordance with the "MOVEI/DRIVEI start position" setting selected at the other parameters. For details, refer to the controller user's manual.
RCX14x: Ver. 8.66 onwards RCX22x: Ver. 9.13 onwards RCX240: all versions
- The other parameters default "MOVEI/DRIVEI start position" setting is Keep (motion to the original target position when MOVEI is interrupted and then re-executed).
- In controller versions prior to those shown above, motion occurs to a new target position referenced to the current position when MOVEI is interrupted and then re-executed.

■ Command

Channel	Contents		Value
(nCH)	Command code		For main robot
			0x0009
(n+1CH)	Command flag	bit 0	Axis designation flag
		bit 2–bit 1	Speed designation flag
		bit 14–bit 3	(0:Fixed)
		bit 15	Current position output designation flag
(n+2CH)	Specified axis to move	bit 0	Axis 1
		bit 1	Axis 2
		bit 2	Axis 3
		bit 3	Axis 4
		bit 4	Axis 5
		bit 5	Axis 6
		bit 15–bit 6	(0:Fixed)
(n+3CH)	Specified speed		0xssss
(n+4CH)	Point number		0xpppp
(n+5CH)	Not used		0x0000
to			
(n+15CH)			

a :Specify in 1 bit whether all axes are designated.

Value	Meaning
0	All axes are specified.
1	One or more axes are specified.

bb : Specify the speed setting method in 2 bits.

Value	Meaning
00	Speed is not specified.
10	Speed is set in %.

n : Specify in 1 bit whether to output current position.

Value	Meaning
0	No output.
1	Output.

- tt : Specify the axis to move in bit pattern using lower 8 bits. Valid when axis designation flag is 1.
- ssss : Specify the movement speed in 16 bits.
Specified range: 1 (=0x0001) to 100 (=0x0064)
- pppp : Specify the point number in 16 bits.
Specified range: 0 (=0x0000) to 9999 (=0x270F)



CAUTION

In the RCX40 controllers whose software version is earlier than 8.28, point numbers from 0 to 4000 can be specified.

■ Status

Normal end

Channel	Contents			Value
(mCH)	Status code			0x0200
(m+1CH)	Not used			
(m+2CH)				
(m+3CH)	Point flag	bit 0	Point unit	a
		bit 15–bit 1	Not used	0
(m+4CH)	Axis-1 data			0xbbbbbbbb
(m+5CH)				
(m+6CH)	Axis-2 data			0xbbbbbbbb
(m+7CH)				
(m+8CH)	Axis-3 data			0xbbbbbbbb
(m+9CH)				
(m+10CH)	Axis-4 data			0xbbbbbbbb
(m+11CH)				
(m+12CH)	Axis-5 data			0xbbbbbbbb
(m+13CH)				
(m+14CH)	Axis-6 data			0xbbbbbbbb
(m+15CH)				

a : Shows in 1 bit the units for current position output point data. Linked with point display unit of controller.

Value	Meaning
0	Pulse units
1	Millimeter units

bbbbbbbb : Shows the current position output data in 32 bits. (little endian)
Data is shown in integers when point display units are in pulses.
Data is shown in integers (x100) when point display units are in millimeters.

Abnormal end

Channel	Contents	Value
(mCH)	Status code	0x4000
(m+1CH)	Error code	0xaabb
(m+2CH)	Additional information	0xccdd
(m+3CH)	Not used	
to		
(m+15CH)		

aabb : Shows the group number in upper 8 bits, and the category number in lower 8 bits.

ccdd : Shows the additional information section in upper 8 bits, and the detail value in lower 8 bits.

Example:

Specify the MOVEI command with PTP designation as shown at right, when moving all axes of the main robot a distance specified by point number 100 at 50% speed. The current position output is specified at this time.

Values are expressed as shown at right when controller display units are in pulses and with:

Axis 1 = 123456
 Axis 2 = -123
 Other axes = 0

Channel	Value
(nCH)	0x0009
(n+1CH)	0x8004
(n+2CH)	0x0000
(n+3CH)	0x0032
(n+4CH)	0x0064
(n+5CH)	0x0000
(n+6CH)	0x0000
(n+7CH)	0x0000
(n+8CH)	0x0000
(n+9CH)	0x0000
(n+10CH)	0x0000
(n+11CH)	0x0000
(n+12CH)	0x0000
(n+13CH)	0x0000
(n+14CH)	0x0000
(n+15CH)	0x0000

Channel	Value
(mCH)	0x0200
(m+1CH)	0x0000
(m+2CH)	0x0000
(m+3CH)	0x0000
(m+4CH)	0xE240
(m+5CH)	0x0001
(m+6CH)	0xFF85
(m+7CH)	0xFFFF
(m+8CH)	0x0000
(m+9CH)	0x0000
(m+10CH)	0x0000
(m+11CH)	0x0000
(m+12CH)	0x0000
(m+13CH)	0x0000
(m+14CH)	0x0000
(m+15CH)	0x0000

4.2.2.2 Direct PTP designation (millimeter units)

This command moves the robot a specified data distance in PTP motion by directly specifying the data in millimeters.



NOTE

- If the MOVEI command is interrupted and then re-executed in the controller versions shown below, the resumed motion can occur either to the original target position, or to a new target position referenced to the current position, in accordance with the "MOVEI/DRIVEI start position" setting selected at the other parameters. For details, refer to the controller user's manual.
RCX14x: Ver. 8.66 onwards RCX22x: Ver. 9.13 onwards RCX240: all versions
- The other parameters default "MOVEI/DRIVEI start position" setting is Keep (motion to the original target position when MOVEI is interrupted and then re-executed).
- In controller versions prior to those shown above, motion occurs to a new target position referenced to the current position when MOVEI is interrupted and then re-executed.

Command

Channel	Contents		Value
(nCH)	Command code	For main robot	0x000E
		For sub robot	0x008E
(n+1CH)	Command flag	bit 0	Axis designation flag
		bit 2–bit 1	Speed designation flag
		bit 14–bit 3	(0:Fixed)
		bit 15	Current position output designation flag
(n+2CH)	Specified axis to move	bit 0	Axis 1
		bit 1	Axis 2
		bit 2	Axis 3
		bit 3	Axis 4
		bit 4	Axis 5
		bit 5	Axis 6
		bit 15–bit 6	(0:Fixed)
(n+3CH)	Specified speed		0xssss
(n+4CH)	Axis-1 data		0xpppppppp
(n+5CH)			
(n+6CH)	Axis-2 data		0xpppppppp
(n+7CH)			
(n+8CH)	Axis-3 data		0xpppppppp
(n+9CH)			
(n+10CH)	Axis-4 data		0xpppppppp
(n+11CH)			
(n+12CH)	Axis-5 data		0xpppppppp
(n+13CH)			
(n+14CH)	Axis-6 data		0xpppppppp
(n+15CH)			

a : Specify in 1 bit whether all axes are designated.

Value	Meaning
0	All axes are specified.
1	One or more axes are specified.

bb : Specify the speed setting method in 2 bits.

Value	Meaning
00	Speed is not specified.
10	Speed is set in %.

n : Specify in 1 bit whether to output current position.

Value	Meaning
0	No output.
1	Output.

tt : Specify the axis to move in bit pattern using lower 8 bits. Valid when axis designation flag is 1.

ssss : Specify the speed in 16 bits.
Specified range: 1 (=0x0001) to 100 (=0x0064)

pppppppp : Specify the target movement distance data for each axis in 32 bits. (little endian)
Data should be integers (x100) in millimeter units.

■ Status

Normal end

Channel	Contents		Value
(mCH)	Status code		0x0200
(m+1CH)	Not used		
(m+2CH)	Not used		
(m+3CH)	Point flag	bit 0	Point unit
		bit 15-bit 1	Not used
(m+4CH)	Axis-1 data		0xbbbbbbbb
(m+5CH)	Axis-1 data		0xbbbbbbbb
(m+6CH)	Axis-2 data		0xbbbbbbbb
(m+7CH)	Axis-2 data		0xbbbbbbbb
(m+8CH)	Axis-3 data		0xbbbbbbbb
(m+9CH)	Axis-3 data		0xbbbbbbbb
(m+10CH)	Axis-4 data		0xbbbbbbbb
(m+11CH)	Axis-4 data		0xbbbbbbbb
(m+12CH)	Axis-5 data		0xbbbbbbbb
(m+13CH)	Axis-5 data		0xbbbbbbbb
(m+14CH)	Axis-6 data		0xbbbbbbbb
(m+15CH)	Axis-6 data		0xbbbbbbbb

a : Shows in 1 bit the units for current position output point data.
Linked with point display unit of controller.

Value	Meaning
0	Pulse units
1	Millimeter units

bbbbbbbb : Shows the current position output data in 32 bits. (little endian)
Data is shown in integers when point display units are in pulses.
Data is shown in integers (x100) when point display units are in millimeters.

Abnormal end

Channel	Contents	Value
(mCH)	Status code	0x4000
(m+1CH)	Error code	0xaabb
(m+2CH)	Additional information	0xccdd
(m+3CH)	Not used	
to		
(m+15CH)		

aabb : Shows the group number in upper 8 bits, and the category number in lower 8 bits.

ccdd : Shows the additional information section in upper 8 bits, and the detail value in lower 8 bits.

4. Remote command information

Example:

Specify the MOVEI command with direct PTP designation (millimeter units) as shown at right, when moving all axes of the main robot a distance specified by the following points from "0.00" mm positions at 50% speed.

Axis 1 = 100.00
 Axis 2 = -200.00
 Axis 3 = 50.00
 Axis 4 = -180.00
 Other axes = 0.00

The current position output is specified at this time.

Values are expressed as shown at right, when controller display units are in millimeters.

Channel	Value
(nCH)	0x000E
(n+1CH)	0x8004
(n+2CH)	0x0000
(n+3CH)	0x0032
(n+4CH)	0x2710
(n+5CH)	0x0000
(n+6CH)	0xB1E0
(n+7CH)	0xFFFF
(n+8CH)	0x1388
(n+9CH)	0x0000
(n+10CH)	0xB9B0
(n+11CH)	0xFFFF
(n+12CH)	0x0000
(n+13CH)	0x0000
(n+14CH)	0x0000
(n+15CH)	0x0000

Channel	Value
(mCH)	0x0200
(m+1CH)	0x0000
(m+2CH)	0x0000
(m+3CH)	0x0001
(m+4CH)	0x2710
(m+5CH)	0x0000
(m+6CH)	0xB1E0
(m+7CH)	0xFFFF
(m+8CH)	0x1388
(m+9CH)	0x0000
(m+10CH)	0xB9B0
(m+11CH)	0xFFFF
(m+12CH)	0x0000
(m+13CH)	0x0000
(m+14CH)	0x0000
(m+15CH)	0x0000

4.2.2.3 Direct PTP designation (pulse units)

This command moves the robot a specified data distance in PTP motion by directly specifying the data in pulses.



NOTE

- If the MOVEI command is interrupted and then re-executed in the controller versions shown below, the resumed motion can occur either to the original target position, or to a new target position referenced to the current position, in accordance with the "MOVEI/DRIVEI start position" setting selected at the other parameters. For details, refer to the controller user's manual.
RCX14x: Ver. 8.66 onwards RCX22x: Ver. 9.13 onwards RCX240: all versions
- The other parameters default "MOVEI/DRIVEI start position" setting is Keep (motion to the original target position when MOVEI is interrupted and then re-executed).
- In controller versions prior to those shown above, motion occurs to a new target position referenced to the current position when MOVEI is interrupted and then re-executed.

■ Command

Channel	Contents		Value
(nCH)	Command code	For main robot	0x000F
		For sub robot	0x008F
(n+1CH)	Command flag	bit 0	Axis designation flag
		bit 2–bit 1	Speed designation flag
		bit 14–bit 3	(0:Fixed)
		bit 15	Current position output designation flag
(n+2CH)	Specified axis to move	bit 0	Axis 1
		bit 1	Axis 2
		bit 2	Axis 3
		bit 3	Axis 4
		bit 4	Axis 5
		bit 5	Axis 6
		bit 15–bit 6	(0:Fixed)
(n+3CH)	Specified speed		0xssss
(n+4CH)	Axis-1 data		0xpppppppp
(n+5CH)			
(n+6CH)	Axis-2 data		0xpppppppp
(n+7CH)			
(n+8CH)	Axis-3 data		0xpppppppp
(n+9CH)			
(n+10CH)	Axis-4 data		0xpppppppp
(n+11CH)			
(n+12CH)	Axis-5 data		0xpppppppp
(n+13CH)			
(n+14CH)	Axis-6 data		0xpppppppp
(n+15CH)			

a : Specify in 1 bit whether all axes are designated.

Value	Meaning
0	All axes are specified.
1	One or more axes are specified.

bb : Specify the speed setting method in 2 bits.

Value	Meaning
00	Speed is not specified.
10	Speed is set in %.

n : Specify in 1 bit whether to output current position.

Value	Meaning
0	No output.
1	Output.

tt : Specify the axis to move in bit pattern using lower 8 bits. Valid when axis designation flag is 1.

ssss : Specify the speed in 16 bits.
Specified range: 1 (=0x0001) to 100 (=0x0064)

pppppppp : Specify the target movement distance data for each axis in 32 bits. (little endian)
Data should be integers in pulse units.

■ Status

Normal end

Channel	Contents		Value
(mCH)	Status code		0x0200
(m+1CH)	Not used		
(m+2CH)			
(m+3CH)	Point flag	bit 0	Point unit
		bit 15-bit 1	Not used
(m+4CH)	Axis-1 data		0xbbbbbbbb
(m+5CH)			
(m+6CH)	Axis-2 data		0xbbbbbbbb
(m+7CH)			
(m+8CH)	Axis-3 data		0xbbbbbbbb
(m+9CH)			
(m+10CH)	Axis-4 data		0xbbbbbbbb
(m+11CH)			
(m+12CH)	Axis-5 data		0xbbbbbbbb
(m+13CH)			
(m+14CH)	Axis-6 data		0xbbbbbbbb
(m+15CH)			

a : Shows in 1 bit the units for current position output point data. Linked with point display unit of controller.

Value	Meaning
0	Pulse units
1	Millimeter units

bbbbbbbb : Shows the current position output data in 32 bits. (little endian)
Data is shown in integers when point display units are in pulses.
Data is shown in integers (x100) when point display units are in millimeters.

Abnormal end

Channel	Contents	Value
(mCH)	Status code	0x4000
(m+1CH)	Error code	0xaabb
(m+2CH)	Additional information	0xccdd
(m+3CH)	Not used	
to		
(m+15CH)		

aabb : Shows the group number in upper 8 bits, and the category number in lower 8 bits.

ccdd : Shows the additional information section in upper 8 bits, and the detail value in lower 8 bits.

Example:

Specify the MOVEI command with direct PTP designation (millimeter units) as shown at right, when moving all axes of the main robot a distance specified by the following points from "0" pulse positions at 50% speed.

Axis 1 = 100000
 Axis 2 = -200000
 Axis 3 = 50000
 Axis 4 = -180000
 Other axes = 0

The current position output is specified at this time.

Values are expressed as shown at right, when controller display units are in millimeters.

Channel	Value
(nCH)	0x000F
(n+1CH)	0x8004
(n+2CH)	0x0000
(n+3CH)	0x0032
(n+4CH)	0x86A0
(n+5CH)	0x0001
(n+6CH)	0xF2C0
(n+7CH)	0xFFFFC
(n+8CH)	0xC350
(n+9CH)	0x0000
(n+10CH)	0x40E0
(n+11CH)	0xFFFFD
(n+12CH)	0x0000
(n+13CH)	0x0000
(n+14CH)	0x0000
(n+15CH)	0x0000

Channel	Value
(mCH)	0x0200
(m+1CH)	0x0000
(m+2CH)	0x0000
(m+3CH)	0x0000
(m+4CH)	0x86A0
(m+5CH)	0x0001
(m+6CH)	0xF2C0
(m+7CH)	0xFFFFC
(m+8CH)	0xC350
(m+9CH)	0x0000
(m+10CH)	0x40E0
(m+11CH)	0xFFFFD
(m+12CH)	0x0000
(m+13CH)	0x0000
(m+14CH)	0x0000
(m+15CH)	0x0000

4.2.3 DRIVE command

Execute this command group to move the specified axis of the robot to an absolute position. Valid only for a single axis.

4.2.3.1 Point designation

This command moves the specified axis of the robot to a target position in PTP motion by specifying the point number.

■ Command

Channel	Contents		Value
(nCH)	Command code	For main robot	0x0010
		For sub robot	0x0090
(n+1CH)	Command flag	bit 0	(1:Fixed)
		bit 2–bit 1	Speed designation flag
		bit 6–bit 3	(0:Fixed)
		bit 7	Torque limit designation flag
		bit 14–bit 8	(0:Fixed)
	bit 15	Current position output designation flag	
(n+2CH)	Specified axis to move	bit 0	Axis 1
		bit 1	Axis 2
		bit 2	Axis 3
		bit 3	Axis 4
		bit 4	Axis 5
		bit 5	Axis 6
		bit 15–bit 6	(0:Fixed)
(n+3CH)	Specified speed		0xssss
(n+4CH)	Point number		0xpppp
(n+5CH)	Not used		0x0000
to			
(n+7CH)	Specified torque		0xqqqq
(n+8CH)			
(n+9CH)	Not used		0x0000
to			
(n+15CH)			

bb : Specify the speed setting method in 2 bits.

Value	Meaning
00	Speed is not specified.
10	Speed is set in %.

h : Specify in 1 bit whether to use torque limit.

Value	Meaning
0	Torque limit is not specified.
1	Torque limit is specified.

n : Specify in 1 bit whether to output current position.

Value	Meaning
0	No output.
1	Output.

tt : Specify the axis to move in bit pattern using lower 8 bits. Only one axis can be specified.

ssss : Specify the movement speed in 16 bits.
Specified range: 1 (= 0x0001) to 100 (=0x0064)

- pppp : Specify the point number in 16 bits.
Specified range: 0 (=0x0000) to 9999 (=0x270F)
- qqqq : Specify the percentage of rated torque in 16 bits.
Specified range: 1 (=0x0001) to 100 (=0x0064)

**CAUTION**

- When the torque limit is specified by the command flag, this command ends in the following cases.
 - <RCX240, RCX22x, and RCX14x with software version 8.45 onwards>
 - The axis has reached the target position when the time required to move to the target position has elapsed.
 - Time-out period was exceeded while the axis torque has reached the specified torque value. (Time-out period depends on the TRQTIME statement or TRQTIME2 statement executed in the program.)
 - <RCX14x with software version earlier than 8.45>
 - The axis has reached the target position when the time required to move to the target position has elapsed.
 - The axis torque has already reached the specified torque value for more than 1 second when the time required to move to the target position has elapsed.
 - The torque has reached the specified torque value when the time required to move to the target position has elapsed, and this condition has continued for 1 second.
- This command cannot use a torque offset value.
- In the RCX40 controllers whose software version is earlier than 8.28, point numbers from 0 to 4000 can be specified.

**NOTE**

Refer to the programming manual for detailed information on the TRQTIME and TRQTIME2 statements of the robot language.

■ Status

Normal end

Channel	Contents		Value
(mCH)	Status code		0x0200
(m+1CH)	Not used		
(m+2CH)	Not used		
(m+3CH)	Point flag	bit 0	a
		bit 15-bit 1	0
(m+4CH)	Axis-1 data		0xbbbbbbbb
(m+5CH)	Axis-1 data		0xbbbbbbbb
(m+6CH)	Axis-2 data		0xbbbbbbbb
(m+7CH)	Axis-2 data		0xbbbbbbbb
(m+8CH)	Axis-3 data		0xbbbbbbbb
(m+9CH)	Axis-3 data		0xbbbbbbbb
(m+10CH)	Axis-4 data		0xbbbbbbbb
(m+11CH)	Axis-4 data		0xbbbbbbbb
(m+12CH)	Axis-5 data		0xbbbbbbbb
(m+13CH)	Axis-5 data		0xbbbbbbbb
(m+14CH)	Axis-6 data		0xbbbbbbbb
(m+15CH)	Axis-6 data		0xbbbbbbbb

a : Shows in 1 bit the units for current position output point data.
Linked with point display unit of controller.

Value	Meaning
0	Pulse units
1	Millimeter units

bbbbbbbb : Shows the current position output data in 32 bits. (little endian)
Data is shown in integers when point display units are in pulses.
Data is shown in integers (x100) when point display units are in millimeters.

Abnormal end

Channel	Contents	Value
(mCH)	Status code	0x4000
(m+1CH)	Error code	0xaabb
(m+2CH)	Additional information	0xccdd
(m+3CH)	Not used	
to		
(m+15CH)		

aabb : Shows the group number in upper 8 bits, and the category number in lower 8 bits.

ccdd : Shows the additional information section in upper 8 bits, and the detail value in lower 8 bits.

Example:

Specify the DRIVE command with point designation as shown at right, to move axis 3 of the main robot to point number 100 at 50% speed. The current position output is specified at this time.

Channel	Value
(nCH)	0x0010
(n+1CH)	0x8005
(n+2CH)	0x0004
(n+3CH)	0x0032
(n+4CH)	0x0064
(n+5CH)	0x0000
(n+6CH)	0x0000
(n+7CH)	0x0000
(n+8CH)	0x0000
(n+9CH)	0x0000
(n+10CH)	0x0000
(n+11CH)	0x0000
(n+12CH)	0x0000
(n+13CH)	0x0000
(n+14CH)	0x0000
(n+15CH)	0x0000

Values are expressed as shown at right, when controller display units are in pulses and with:

Axis 1 = 123456
Axis 2 = -123
Other axes = 0

Channel	Value
(mCH)	0x0200
(m+1CH)	0x0000
(m+2CH)	0x0000
(m+3CH)	0x0000
(m+4CH)	0xE240
(m+5CH)	0x0001
(m+6CH)	0xFF85
(m+7CH)	0xFFFF
(m+8CH)	0x0000
(m+9CH)	0x0000
(m+10CH)	0x0000
(m+11CH)	0x0000
(m+12CH)	0x0000
(m+13CH)	0x0000
(m+14CH)	0x0000
(m+15CH)	0x0000

4.2.3.2 Direct designation (millimeter units)

This command moves the specified axis of the robot to a target position in PTP motion by directly specifying the data in millimeters.

■ **Command**

Channel	Contents		Value
(nCH)	Command code	For main robot	0x0012
		For sub robot	0x0092
(n+1CH)	Command flag	bit 0	(1:Fixed) 1
		bit 2–bit 1	Speed designation flag bb
		bit 6–bit 3	(0:Fixed) 0
		bit 7	Torque limit designation flag h
		bit 14–bit 8	(0:Fixed) 0
		bit 15	Current position output designation flag n
(n+2CH)	Specified axis to move	bit 0	Axis 1
		bit 1	Axis 2
		bit 2	Axis 3
		bit 3	Axis 4
		bit 4	Axis 5
		bit 5	Axis 6
		bit 15–bit 6	(0:Fixed)
(n+3CH)	Specified speed	0xssss	
(n+4CH)	Movement data	0xppppppppp	
(n+5CH)			
(n+6CH)			Not used
(n+7CH)	Not used	0xqqqq	
(n+8CH)			
(n+9CH)	Not used	0x0000	
to			
(n+15CH)			

bb : Specify the speed setting method in 2 bits.

Value	Meaning
00	Speed is not specified.
10	Speed is set in %.

h : Specify in 1 bit whether to use torque limit.

Value	Meaning
0	Torque limit is not specified.
1	Torque limit is specified.

n : Specify in 1 bit whether to output current position.

Value	Meaning
0	No output.
1	Output.

tt : Specify the axis to move in bit pattern using lower 8 bits. Only one axis can be specified.

ssss : Specify the movement speed in 16 bits.
Specified range: 1 (=0x0001) to 100 (=0x0064)

pppppppp : Specify target position data for specified axis in 32 bits.
(little endian)
Data should be integers (x 100) in millimeter units.

qqqq : Specify the percentage of rated torque in 16 bits.
Specified range: 1 (=0x0001) to 100 (=0x0064)



CAUTION

- When the torque limit is specified by the command flag, this command ends in the following cases.
 - <RCX240, RCX22x, and RCX14x with software version 8.45 onwards>
 - The axis has reached the target position when the time required to move to the target position has elapsed.
 - Time-out period was exceeded while the axis torque has reached the specified torque value. (Time-out period depends on the TRQTIME statement or TRQTIME2 statement executed in the program.)
 - <RCX14x with software version earlier than 8.45>
 - The axis has reached the target position when the time required to move to the target position has elapsed.
 - The axis torque has already reached the specified torque value for more than 1 second when the time required to move to the target position has elapsed.
 - The torque has reached the specified torque value when the time required to move to the target position has elapsed, and this condition has continued for 1 second.
- This command cannot use a torque offset value.



NOTE

Refer to the programming manual for detailed information on the TRQTIME and TRQTIME2 statements of the robot language.

■ **Status**

Normal end

Channel	Contents			Value
(mCH)	Status code			0x0200
(m+1CH)	Not used			
(m+2CH)	Not used			
(m+3CH)	Point flag	bit 0	Point unit	a
		bit 15–bit 1	Not used	0
(m+4CH)	Axis-1 data			0xbbbbbbbb
(m+5CH)	Axis-1 data			0xbbbbbbbb
(m+6CH)	Axis-2 data			0xbbbbbbbb
(m+7CH)	Axis-2 data			0xbbbbbbbb
(m+8CH)	Axis-3 data			0xbbbbbbbb
(m+9CH)	Axis-3 data			0xbbbbbbbb
(m+10CH)	Axis-4 data			0xbbbbbbbb
(m+11CH)	Axis-4 data			0xbbbbbbbb
(m+12CH)	Axis-5 data			0xbbbbbbbb
(m+13CH)	Axis-5 data			0xbbbbbbbb
(m+14CH)	Axis-6 data			0xbbbbbbbb
(m+15CH)	Axis-6 data			0xbbbbbbbb

a : Shows in 1 bit the units for current position output point data. Linked with point display unit of controller.

Value	Meaning
0	Pulse units
1	Millimeter units

bbbbbbbb : Shows the current position output data in 32 bits. (little endian)
 Data is shown in integers when point display units are in pulses.
 Data is shown in integers (x100) when point display units are in millimeters.

Abnormal end

Channel	Contents	Value
(mCH)	Status code	0x4000
(m+1CH)	Error code	0xaabb
(m+2CH)	Additional information	0xccdd
(m+3CH) to (m+15CH)	Not used	

aabb : Shows the group number in upper 8 bits, and the category number in lower 8 bits.

ccdd : Shows the additional information section in upper 8 bits, and the detail value in lower 8 bits.

Example:

Specify the DRIVE command with direct designation (millimeter units) as shown at right, to move axis 3 of the main robot to a position of "50.00" at 50% speed. The current position output is specified at this time.

Channel	Value
(nCH)	0x0012
(n+1CH)	0x8005
(n+2CH)	0x0004
(n+3CH)	0x0032
(n+4CH)	0x1388
(n+5CH)	0x0000
(n+6CH)	0x0000
(n+7CH)	0x0000
(n+8CH)	0x0000
(n+9CH)	0x0000
(n+10CH)	0x0000
(n+11CH)	0x0000
(n+12CH)	0x0000
(n+13CH)	0x0000
(n+14CH)	0x0000
(n+15CH)	0x0000

Values are expressed as shown at right when controller display units are in millimeters and with:

Axis 1 = 100.00
 Axis 2 = -200.00
 Axis 3 = 50.00
 Axis 4 = -180.00
 Other axes = 0.00

Channel	Value
(mCH)	0x0200
(m+1CH)	0x0000
(m+2CH)	0x0000
(m+3CH)	0x0001
(m+4CH)	0x2710
(m+5CH)	0x0000
(m+6CH)	0xB1E0
(m+7CH)	0xFFFF
(m+8CH)	0x1388
(m+9CH)	0x0000
(m+10CH)	0xB9B0
(m+11CH)	0xFFFF
(m+12CH)	0x0000
(m+13CH)	0x0000
(m+14CH)	0x0000
(m+15CH)	0x0000

4.2.3.3 Direct designation (pulse units)

This command moves the specified axis of the robot to a target position in PTP motion by directly specifying the data in pulses.

■ Command

Channel	Contents		Value
(nCH)	Command code	For main robot	0x0013
		For sub robot	0x0093
(n+1CH)	Command flag	bit 0	(1:Fixed) 1
		bit 2–bit 1	Speed designation flag bb
		bit 6–bit 3	(0:Fixed) 0
		bit 7	Torque limit designation flag h
		bit 14–bit 8	(0:Fixed) 0
		bit 15	Current position output designation flag n
(n+2CH)	Specified axis to move	bit 0	Axis 1
		bit 1	Axis 2
		bit 2	Axis 3
		bit 3	Axis 4
		bit 4	Axis 5
		bit 5	Axis 6
		bit 15–bit 6	(0:Fixed)
(n+3CH)	Specified speed	0xssss	
(n+4CH)	Movement data	0xpppppppp	
(n+5CH)			
(n+6CH)			
(n+7CH)	Not used	0x0000	
(n+8CH)	Specified torque	0xqqqq	
(n+9CH)	Not used	0x0000	
to			
(n+15CH)			

bb : Specify the speed setting method in 2 bits.

Value	Meaning
00	Speed is not specified.
10	Speed is set in %.

h : Specify in 1 bit whether to use torque limit.

Value	Meaning
0	Torque limit is not specified.
1	Torque limit is specified.

n : Specify in 1 bit whether to output current position.

Value	Meaning
0	No output.
1	Output.

tt : Specify the axis to move in bit pattern using lower 8 bits. Only one axis can be specified.

ssss : Specify the movement speed in 16 bits.
Specified range: 1 (=0x0001) to 100 (=0x0064)

pppppppp : Specify the target position data for specified axis in 32 bits.
(little endian)
Data should be integers in pulse units.

qqqq : Specify the percentage of rated torque in 16 bits.
Specified range: 1 (=0x0001) to 100 (=0x0064)

**CAUTION**

- When the torque limit is specified by the command flag, this command ends in the following cases.
 - <RCX240, RCX22x, and RCX14x with software version 8.45 onwards>
 - The axis has reached the target position when the time required to move to the target position has elapsed.
 - Time-out period was exceeded while the axis torque has reached the specified torque value. (Time-out period depends on the TRQTIME statement or TRQTIME2 statement executed in the program.)
 - <RCX14x with software version earlier than 8.45>
 - The axis has reached the target position when the time required to move to the target position has elapsed.
 - The axis torque has already reached the specified torque value for more than 1 second when the time required to move to the target position has elapsed.
 - The torque has reached the specified torque value when the time required to move to the target position has elapsed, and this condition has continued for 1 second.
- This command cannot use a torque offset value.

**NOTE**

Refer to the programming manual for detailed information on the TRQTIME and TRQTIME2 statements of the robot language.

■ Status

Normal end

Channel	Contents		Value
(mCH)	Status code		0x0200
(m+1CH)	Not used		
(m+2CH)	Not used		
(m+3CH)	Point flag	bit 0	Point unit
		bit 15–bit 1	Not used
(m+4CH)	Axis-1 data		0xbbbbbbbb
(m+5CH)	Axis-1 data		0xbbbbbbbb
(m+6CH)	Axis-2 data		0xbbbbbbbb
(m+7CH)	Axis-2 data		0xbbbbbbbb
(m+8CH)	Axis-3 data		0xbbbbbbbb
(m+9CH)	Axis-3 data		0xbbbbbbbb
(m+10CH)	Axis-4 data		0xbbbbbbbb
(m+11CH)	Axis-4 data		0xbbbbbbbb
(m+12CH)	Axis-5 data		0xbbbbbbbb
(m+13CH)	Axis-5 data		0xbbbbbbbb
(m+14CH)	Axis-6 data		0xbbbbbbbb
(m+15CH)	Axis-6 data		0xbbbbbbbb

a : Shows in 1 bit the units for current position output point data. Linked with point display unit of controller.

Value	Meaning
0	Pulse units
1	Millimeter units

bbbbbbbb : Shows the current position output data in 32 bits. (little endian)
 Data is shown in integers when point display units are in pulses.
 Data is shown in integers (x100) when point display units are in millimeters.

Abnormal end

Channel	Contents	Value
(mCH)	Status code	0x4000
(m+1CH)	Error code	0xaabb
(m+2CH)	Additional information	0xccdd
(m+3CH)	Not used	
to		
(m+15CH)		

aabb : Shows the group number in upper 8 bits, and the category number in lower 8 bits.

ccdd : Shows the additional information section in upper 8 bits, and the detail value in lower 8 bits.

Example:

Specify the DRIVE command with direct designation (pulse units) as shown at right, to move axis 3 of the main robot to a position of "5000" pulses at 50% speed. The current position output is specified at this time.

Channel	Value
(nCH)	0x0013
(n+1CH)	0x8005
(n+2CH)	0x0004
(n+3CH)	0x0032
(n+4CH)	0x1388
(n+5CH)	0x0000
(n+6CH)	0x0000
(n+7CH)	0x0000
(n+8CH)	0x0000
(n+9CH)	0x0000
(n+10CH)	0x0000
(n+11CH)	0x0000
(n+12CH)	0x0000
(n+13CH)	0x0000
(n+14CH)	0x0000
(n+15CH)	0x0000

Values are expressed as shown at right when controller display units are in pulses and with:

Axis 1 = 10000
 Axis 2 = -20000
 Axis 3 = 5000
 Axis 4 = -18000
 Other axes = 0

Channel	Value
(mCH)	0x0200
(m+1CH)	0x0000
(m+2CH)	0x0000
(m+3CH)	0x0000
(m+4CH)	0x2710
(m+5CH)	0x0000
(m+6CH)	0xB1E0
(m+7CH)	0xFFFF
(m+8CH)	0x1388
(m+9CH)	0x0000
(m+10CH)	0xB9B0
(m+11CH)	0xFFFF
(m+12CH)	0x0000
(m+13CH)	0x0000
(m+14CH)	0x0000
(m+15CH)	0x0000

4.2.4 DRIVEI command

Execute this command group to move the specified axis of the robot to a relative position. Valid only for a single axis.

4.2.4.1 Point designation

This command moves the specified axis of the robot in PTP motion a distance by specifying the point number.



NOTE

- If the DRIVEI command is interrupted and then re-executed in the controller versions shown below, the resumed motion can occur either to the original target position, or to a new target position referenced to the current position, in accordance with the "MOVEI/DRIVEI start position" setting selected at the other parameters. For details, refer to the controller user's manual.
RCX14x: Ver. 8.66 onwards RCX22x: Ver. 9.13 onwards RCX240: all versions
- The other parameters default "MOVEI/DRIVEI start position" setting is Keep (motion to the original target position when DRIVEI is interrupted and then re-executed).
- In controller versions prior to those shown above, motion occurs to a new target position referenced to the current position when DRIVEI is interrupted and then re-executed.

■ Command

Channel	Contents		Value
(nCH)	Command code		For main robot 0x0014 For sub robot 0x0094
(n+1CH)	Command flag	bit 0	(1:Fixed) 1
		bit 2–bit 1	Speed designation flag bb
		bit 14–bit 3	(0:Fixed) 0
		bit 15	Current position output designation flag n
(n+2CH)	Specified axis to move	bit 0	Axis 1
		bit 1	Axis 2
		bit 2	Axis 3
		bit 3	Axis 4
		bit 4	Axis 5
		bit 5	Axis 6
		bit 15–bit 6	(0:Fixed)
(n+3CH)	Specified speed		0xssss
(n+4CH)	Point number		0xpppp
(n+5CH)	Not used		0x0000
to			
(n+15CH)			

bb : Specify the speed setting method in 2 bits.

Value	Meaning
00	Speed is not specified.
10	Speed is set in %.

n : Specify in 1 bit whether to output current position.

Value	Meaning
0	No output.
1	Output.

tt : Specify the axis to move in bit pattern using lower 8 bits. Only one axis can be specified.

ssss : Specify the movement speed in 16 bits.
Specified range: 1 (= 0x0001) to 100 (=0x0064)

pppp : Specify the point number in 16 bits.
Specified range: 0 (=0x0000) to 9999 (=0x270F)



CAUTION In the RCX40 controllers whose software version is earlier than 8.28, point numbers from 0 to 4000 can be specified.

■ Status

Normal end

Channel	Contents		Value
(mCH)	Status code		0x0200
(m+1CH)	Not used		
(m+2CH)	Not used		
(m+3CH)	Point flag	bit 0	Point unit
		bit 15–bit 1	Not used
(m+4CH)	Axis-1 data		0xbbbbbbbb
(m+5CH)	Axis-1 data		0xbbbbbbbb
(m+6CH)	Axis-2 data		0xbbbbbbbb
(m+7CH)	Axis-2 data		0xbbbbbbbb
(m+8CH)	Axis-3 data		0xbbbbbbbb
(m+9CH)	Axis-3 data		0xbbbbbbbb
(m+10CH)	Axis-4 data		0xbbbbbbbb
(m+11CH)	Axis-4 data		0xbbbbbbbb
(m+12CH)	Axis-5 data		0xbbbbbbbb
(m+13CH)	Axis-5 data		0xbbbbbbbb
(m+14CH)	Axis-6 data		0xbbbbbbbb
(m+15CH)	Axis-6 data		0xbbbbbbbb

a : Shows in 1 bit the units for current position output point data.
Linked with point display unit of controller.

Value	Meaning
0	Pulse units
1	Millimeter units

bbbbbbbb : Shows the current position output data in 32 bits. (little endian)
Data is shown in integers when point display units are in pulses.
Data is shown in integers (x100) when point display units are in millimeters.

Abnormal end

Channel	Contents	Value
(mCH)	Status code	0x4000
(m+1CH)	Error code	0xaabb
(m+2CH)	Additional information	0xccdd
(m+3CH)	Not used	
to		
(m+15CH)		

aabb : Shows the group number in upper 8 bits, and the category number in lower 8 bits.

ccdd : Shows the additional information section in upper 8 bits, and the detail value in lower 8 bits.

Example:

Specify the DRIVEI command with point designation as shown at right, to move axis 3 of the main robot a distance specified by point number 100 at 50% speed. The current position output is specified at this time.

Values are expressed as shown at right when controller display units are in pulses and with:

Axis 1 = 123456
 Axis 2 = -123
 Other axes = 0

Channel	Value
(nCH)	0x0014
(n+1CH)	0x8005
(n+2CH)	0x0004
(n+3CH)	0x0032
(n+4CH)	0x0064
(n+5CH)	0x0000
(n+6CH)	0x0000
(n+7CH)	0x0000
(n+8CH)	0x0000
(n+9CH)	0x0000
(n+10CH)	0x0000
(n+11CH)	0x0000
(n+12CH)	0x0000
(n+13CH)	0x0000
(n+14CH)	0x0000
(n+15CH)	0x0000

Channel	Value
(mCH)	0x0200
(m+1CH)	0x0000
(m+2CH)	0x0000
(m+3CH)	0x0000
(m+4CH)	0xE240
(m+5CH)	0x0001
(m+6CH)	0xFF85
(m+7CH)	0xFFFF
(m+8CH)	0x0000
(m+9CH)	0x0000
(m+10CH)	0x0000
(m+11CH)	0x0000
(m+12CH)	0x0000
(m+13CH)	0x0000
(m+14CH)	0x0000
(m+15CH)	0x0000

4.2.4.2 Direct designation (millimeter units)

This command moves the specified axis of the robot in PTP motion a distance by directly specifying the data in millimeters.



NOTE

- If the DRIVEI command is interrupted and then re-executed in the controller versions shown below, the resumed motion can occur either to the original target position, or to a new target position referenced to the current position, in accordance with the "MOVEI/DRIVEI start position" setting selected at the other parameters. For details, refer to the controller user's manual.
 RCX14x: Ver. 8.66 onwards RCX22x: Ver. 9.13 onwards RCX240: all versions
- The other parameters default "MOVEI/DRIVEI start position" setting is Keep (motion to the original target position when DRIVEI is interrupted and then re-executed).
- In controller versions prior to those shown above, motion occurs to a new target position referenced to the current position when DRIVEI is interrupted and then re-executed.

■ Command

Channel	Contents		Value
(nCH)	Command code		For main robot
			For sub robot
(n+1CH)	Command flag	bit 0	(1:Fixed)
		bit 2–bit 1	Speed designation flag
		bit 14–bit 3	(0:Fixed)
		bit 15	Current position output designation flag
(n+2CH)	Specified axis to move	bit 0	Axis 1
		bit 1	Axis 2
		bit 2	Axis 3
		bit 3	Axis 4
		bit 4	Axis 5
		bit 5	Axis 6
		bit 15–bit 6	(0:Fixed)
(n+3CH)	Specified speed		0xssss
(n+4CH)	Movement data		0xpppppppp
(n+5CH)			
(n+6CH)			
to			
(n+15CH)	Not used		0x0000

bb : Specify the speed setting method in 2 bits.

Value	Meaning
00	Speed is not specified.
10	Speed is set in %.

n : Specify in 1 bit whether to output current position.

Value	Meaning
0	No output.
1	Output.

tt : Specify the axis to move in bit pattern using lower 8 bits. Only one axis can be specified.

ssss : Specify the speed in 16 bits.
 Specified range: 1 (=0x0001) to 100 (=0x0064)

pppppppp : Specify the target movement distance data for specified axis in 32 bits. (little endian)
Data should be integers (x100) in millimeter units.

■ Status

Normal end

Channel	Contents		Value
(mCH)	Status code		0x0200
(m+1CH)	Not used		
(m+2CH)	Not used		
(m+3CH)	Point flag	bit 0	Point unit
		bit 15-bit 1	Not used
(m+4CH)	Axis-1 data		0xbbbbbbbb
(m+5CH)	Axis-2 data		0xbbbbbbbb
(m+6CH)	Axis-3 data		0xbbbbbbbb
(m+7CH)	Axis-4 data		0xbbbbbbbb
(m+8CH)	Axis-5 data		0xbbbbbbbb
(m+9CH)	Axis-6 data		0xbbbbbbbb
(m+10CH)	Axis-1 data		0xbbbbbbbb
(m+11CH)	Axis-2 data		0xbbbbbbbb
(m+12CH)	Axis-3 data		0xbbbbbbbb
(m+13CH)	Axis-4 data		0xbbbbbbbb
(m+14CH)	Axis-5 data		0xbbbbbbbb
(m+15CH)	Axis-6 data		0xbbbbbbbb

a : Shows in 1 bit the units for current position output point data.
Linked with point display unit of controller.

Value	Meaning
0	Pulse units
1	Millimeter units

bbbbbbbb : Shows the current position output data in 32 bits. (little endian)
Data is shown in integers when point display units are in pulses.
Data is shown in integers (x100) when point display units are in millimeters.

Abnormal end

Channel	Contents	Value
(mCH)	Status code	0x4000
(m+1CH)	Error code	0xaabb
(m+2CH)	Additional information	0xccdd
(m+3CH)	Not used	
to		
(m+15CH)		

aabb : Shows the group number in upper 8 bits, and the category number in lower 8 bits.

ccdd : Shows the additional information section in upper 8 bits, and the detail value in lower 8 bits.

4. Remote command information

Example:

Specify the DRIVEI command with direct designation (millimeter units) as shown at right, to move axis 3 a distance equal to "50.00" from "0.00" position at 50% speed. The current position output is specified at this time.

Channel	Value
(nCH)	0x0016
(n+1CH)	0x8005
(n+2CH)	0x0004
(n+3CH)	0x0032
(n+4CH)	0x1388
(n+5CH)	0x0000
(n+6CH)	0x0000
(n+7CH)	0x0000
(n+8CH)	0x0000
(n+9CH)	0x0000
(n+10CH)	0x0000
(n+11CH)	0x0000
(n+12CH)	0x0000
(n+13CH)	0x0000
(n+14CH)	0x0000
(n+15CH)	0x0000

Values are expressed as shown at right when controller display units are in millimeters and with:

Axis 1 = 100.00
 Axis 2 = -200.00
 Axis 3 = 50.00
 Axis 4 = -180.00
 Other axes = 0.00

Channel	Value
(mCH)	0x0200
(m+1CH)	0x0000
(m+2CH)	0x0000
(m+3CH)	0x0001
(m+4CH)	0x2710
(m+5CH)	0x0000
(m+6CH)	0xB1E0
(m+7CH)	0xFFFF
(m+8CH)	0x1388
(m+9CH)	0x0000
(m+10CH)	0xB9B0
(m+11CH)	0xFFFF
(m+12CH)	0x0000
(m+13CH)	0x0000
(m+14CH)	0x0000
(m+15CH)	0x0000

4.2.4.3 Direct designation (pulse units)

This command moves the specified axis of the robot in PTP motion a distance by directly specifying the data in pulses.



NOTE

- If the DRIVEI command is interrupted and then re-executed in the controller versions shown below, the resumed motion can occur either to the original target position, or to a new target position referenced to the current position, in accordance with the "MOVEI/DRIVEI start position" setting selected at the other parameters. For details, refer to the controller user's manual.
RCX14x: Ver. 8.66 onwards RCX22x: Ver. 9.13 onwards RCX240: all versions
- The other parameters default "MOVEI/DRIVEI start position" setting is Keep (motion to the original target position when DRIVEI is interrupted and then re-executed).
- In controller versions prior to those shown above, motion occurs to a new target position referenced to the current position when DRIVEI is interrupted and then re-executed.

■ Command

Channel	Contents		Value
(nCH)	Command code		For main robot
			For sub robot
(n+1CH)	Command flag	bit 0	(1:Fixed)
		bit 2–bit 1	Speed designation flag
		bit 14–bit 3	(0:Fixed)
		bit 15	Current position output designation flag
(n+2CH)	Specified axis to move	bit 0	Axis 1
		bit 1	Axis 2
		bit 2	Axis 3
		bit 3	Axis 4
		bit 4	Axis 5
		bit 5	Axis 6
		bit 15–bit 6	(0:Fixed)
(n+3CH)	Specified speed		0xssss
(n+4CH)	Movement data		0xpppppppp
(n+5CH)			
(n+6CH)			
to			
(n+15CH)	Not used		0x0000

bb : Specify the speed setting method in 2 bits.

Value	Meaning
00	Speed is not specified.
10	Speed is set in %.

n : Specify in 1 bit whether to output current position.

Value	Meaning
0	No output.
1	Output.

tt : Specify the axis to move in bit pattern using lower 8 bits. Only one axis can be specified.

ssss : Specify the movement speed in 16 bits.
Specified range: 1 (=0x0001) to 100 (=0x0064)

pppppppp : Specify the target movement distance data for specified axis in 32 bits. (little endian)
Data should be integers in pulse units.

■ Status

Normal end

Channel	Contents		Value
(mCH)	Status code		0x0200
(m+1CH)	Not used		
(m+2CH)	Not used		
(m+3CH)	Point flag	bit 0	Point unit
		bit 15-bit 1	Not used
(m+4CH)	Axis-1 data		0xbbbbbbbb
(m+5CH)	Axis-1 data		0xbbbbbbbb
(m+6CH)	Axis-2 data		0xbbbbbbbb
(m+7CH)	Axis-2 data		0xbbbbbbbb
(m+8CH)	Axis-3 data		0xbbbbbbbb
(m+9CH)	Axis-3 data		0xbbbbbbbb
(m+10CH)	Axis-4 data		0xbbbbbbbb
(m+11CH)	Axis-4 data		0xbbbbbbbb
(m+12CH)	Axis-5 data		0xbbbbbbbb
(m+13CH)	Axis-5 data		0xbbbbbbbb
(m+14CH)	Axis-6 data		0xbbbbbbbb
(m+15CH)	Axis-6 data		0xbbbbbbbb

a : Shows in 1 bit the units for current position output point data.
Linked with point display unit of controller.

Value	Meaning
0	Pulse units
1	Millimeter units

bbbbbbbb : Shows the current position output data in 32 bits. (little endian)
Data is shown in integers when point display units are in pulses.
Data is shown in integers (x100) when point display units are in millimeters.

Abnormal end

Channel	Contents	Value
(mCH)	Status code	0x4000
(m+1CH)	Error code	0xaabb
(m+2CH)	Additional information	0xccdd
(m+3CH)	Not used	
to		
(m+15CH)		

aabb : Shows the group number in upper 8 bits, and the category number in lower 8 bits.

ccdd : Shows the additional information section in upper 8 bits, and the detail value in lower 8 bits.

Example:

Specify the DRIVEI command with direct designation (pulse units) as shown at right, to move axis 3 a distance equal to "5000" pulses from "0" pulse position at 50% speed. The current position output is specified at this time.

Values are expressed as shown at right when controller display units are in pulses and with:

Axis 1 = 10000
 Axis 2 = -20000
 Axis 3 = 5000
 Axis 4 = -18000
 Other axes = 0

Channel	Value
(nCH)	0x0017
(n+1CH)	0x8005
(n+2CH)	0x0004
(n+3CH)	0x0032
(n+4CH)	0x1388
(n+5CH)	0x0000
(n+6CH)	0x0000
(n+7CH)	0x0000
(n+8CH)	0x0000
(n+9CH)	0x0000
(n+10CH)	0x0000
(n+11CH)	0x0000
(n+12CH)	0x0000
(n+13CH)	0x0000
(n+14CH)	0x0000
(n+15CH)	0x0000

Channel	Value
(mCH)	0x0200
(m+1CH)	0x0000
(m+2CH)	0x0000
(m+3CH)	0x0000
(m+4CH)	0x2710
(m+5CH)	0x0000
(m+6CH)	0xB1E0
(m+7CH)	0xFFFF
(m+8CH)	0x1388
(m+9CH)	0x0000
(m+10CH)	0xB9B0
(m+11CH)	0xFFFF
(m+12CH)	0x0000
(m+13CH)	0x0000
(m+14CH)	0x0000
(m+15CH)	0x0000

4.2.5 Pallet movement command

Execute this command group to move the robot to work positions on a pallet.

4.2.5.1 PTP designation

This command moves the robot to a target position in PTP motion by specifying the pallet number and work position number.

■ Command

Channel	Contents		Value	
(nCH)	Command code		For main robot	0x0018
			For sub robot	0x0098
(n+1CH)	Command flag	bit 0	(0:Fixed)	0
		bit 2–bit 1	Speed designation flag	bb
		bit 14–bit 3	(0:Fixed)	0
		bit 15	Current position output designation flag	n
(n+2CH)	Not used		0x0000	
(n+3CH)	Specified speed		0xssss	
(n+4CH)	Pallet number		0xpppp	
(n+5CH)	Work position number		0xwwww	
(n+6CH)	Not used		0x0000	
to				
(n+15CH)				

bb : Specify the speed setting method in 2 bits.

Value	Meaning
00	Speed is not specified.
10	Speed is set in %.

n : Specify in 1 bit whether to output current position.

Value	Meaning
0	No output.
1	Output.

ssss : Specify the movement speed in 16 bits.
Specified range: 1 (=0x0001) to 100 (=0x0064)

pppp : Specify the pallet number in 16 bits.
Specified range: 0 (=0x0000) to 19 (=0x0013)

wwww : Specify the work position number in 16 bits.
Specified range: 1 (=0x0001) to 32767 (=0x7FFF)

■ Status

Normal end

Channel	Contents		Value
(mCH)	Status code		0x0200
(m+1CH)	Not used		
(m+2CH)	Not used		
(m+3CH)	Point flag	bit 0	Point unit
		bit 15–bit 1	Not used
(m+4CH)	Axis-1 data		0xbbbbbbbb
(m+5CH)	Axis-1 data		0xbbbbbbbb
(m+6CH)	Axis-2 data		0xbbbbbbbb
(m+7CH)	Axis-2 data		0xbbbbbbbb
(m+8CH)	Axis-3 data		0xbbbbbbbb
(m+9CH)	Axis-3 data		0xbbbbbbbb
(m+10CH)	Axis-4 data		0xbbbbbbbb
(m+11CH)	Axis-4 data		0xbbbbbbbb
(m+12CH)	Axis-5 data		0xbbbbbbbb
(m+13CH)	Axis-5 data		0xbbbbbbbb
(m+14CH)	Axis-6 data		0xbbbbbbbb
(m+15CH)	Axis-6 data		0xbbbbbbbb

a : Shows in 1 bit the units for current position output point data. Linked with point display unit of controller.

Value	Meaning
0	Pulse units
1	Millimeter units

bbbbbbbb : Shows the current position output data in 32 bits. (little endian)
Data is shown in integers when point display units are in pulses.
Data is shown in integers (x100) when point display units are in millimeters.

Abnormal end

Channel	Contents	Value
(mCH)	Status code	0x4000
(m+1CH)	Error code	0xaabb
(m+2CH)	Additional information	0xccdd
(m+3CH)	Not used	
to		
(m+15CH)		

aabb : Shows the group number in upper 8 bits, and the category number in lower 8 bits.

ccdd : Shows the additional information section in upper 8 bits, and the detail value in lower 8 bits.

4. Remote command information

Example:

Specify the PMOVE command with PTP designation as shown at right, when moving the main robot to work position number 21 on pallet number 1 at 70% speed. The current position output is specified at this time.

Channel	Value
(nCH)	0x0018
(n+1CH)	0x8004
(n+2CH)	0x0000
(n+3CH)	0x0046
(n+4CH)	0x0001
(n+5CH)	0x0015
(n+6CH)	0x0000
(n+7CH)	0x0000
(n+8CH)	0x0000
(n+9CH)	0x0000
(n+10CH)	0x0000
(n+11CH)	0x0000
(n+12CH)	0x0000
(n+13CH)	0x0000
(n+14CH)	0x0000
(n+15CH)	0x0000

Values are expressed as shown at right when controller display units are in millimeters and with:

Axis 1 = 123.45
 Axis 2 = -1.23
 Axis 3 = 20.00
 Other axes = 0.00

Channel	Value
(mCH)	0x0200
(m+1CH)	0x0000
(m+2CH)	0x0000
(m+3CH)	0x0001
(m+4CH)	0x3039
(m+5CH)	0x0000
(m+6CH)	0xFF85
(m+7CH)	0xFFFF
(m+8CH)	0x07D0
(m+9CH)	0x0000
(m+10CH)	0x0000
(m+11CH)	0x0000
(m+12CH)	0x0000
(m+13CH)	0x0000
(m+14CH)	0x0000
(m+15CH)	0x0000

4.2.5.2 Arch designation

This command moves the robot to a target position in arch motion by specifying the pallet number, work position number, arch axis and arch data.

■ **Command**

Channel	Contents		Value
(nCH)	Command code		For main robot 0x0019
			For sub robot 0x0099
(n+1CH)	Command flag	bit 0	(0:Fixed) 0
		bit 2–bit 1	Speed designation flag bb
		bit 3	(0:Fixed) 0
		bit 4	Arch data unit flag d
		bit 14–bit 5	(0:Fixed) 0
		bit 15	Current position output designation flag n
(n+2CH)	Arch designation axis	bit 7–bit 0	(0:Fixed) 0xuu00
		bit 8	Axis 1
		bit 9	Axis 2
		bit 10	Axis 3
		bit 11	Axis 4
		bit 12	Axis 5
		bit 13	Axis 6
	bit 15–bit 14	(0:Fixed)	
(n+3CH)	Specified speed		0xssss
(n+4CH)	Pallet number		0xpppp
(n+5CH)	Work position number		0xwwww
(n+6CH)	Not used		0x0000
(n+7CH)			
(n+8CH)	Arch position data		0xqqqqqqqq
(n+9CH)			
(n+10CH)			
to	Not used		0x0000
(n+15CH)			

bb : Specify the speed setting method in 2 bits.

Value	Meaning
00	Speed is not specified.
10	Speed is set in %.

d : Specify the arch data units in 1 bit.

Value	Meaning
0	Pulse units
1	Millimeter units

n : Specify in 1 bit whether to output current position.

Value	Meaning
0	No output.
1	Output.

uu : Specify the arch motion axis in bit pattern using upper 8 bits.
Specified arch axis is one axis only.

ssss : Specify the speed in 16 bits.
Specified range: 1 (=0x0001) to 100 (=0x0064)

pppp : Specify the pallet number in 16 bits.
Specified range: 0 (=0x0000) to 19 (=0x0013)

- www : Specify the work position number in 16 bits.
Specified range: 1 (=0x0001) to 32767 (=0x7FFF)
- qqqqqqqq : Specify the arch position data in 32 bits. (little endian)
Data should be integers when units are in pulses.
Data should be integers (x100) when units are in millimeters.

■ **Status**
Normal end

Channel	Contents			Value
(mCH)	Status code			0x0200
(m+1CH)	Not used			
(m+2CH)	Not used			
(m+3CH)	Point flag	bit 0	Point unit	a
		bit 15-bit 1	Not used	0
(m+4CH)	Axis-1 data			0xbbbbbbbb
(m+5CH)	Axis-1 data			0xbbbbbbbb
(m+6CH)	Axis-2 data			0xbbbbbbbb
(m+7CH)	Axis-2 data			0xbbbbbbbb
(m+8CH)	Axis-3 data			0xbbbbbbbb
(m+9CH)	Axis-3 data			0xbbbbbbbb
(m+10CH)	Axis-4 data			0xbbbbbbbb
(m+11CH)	Axis-4 data			0xbbbbbbbb
(m+12CH)	Axis-5 data			0xbbbbbbbb
(m+13CH)	Axis-5 data			0xbbbbbbbb
(m+14CH)	Axis-6 data			0xbbbbbbbb
(m+15CH)	Axis-6 data			0xbbbbbbbb

a : Shows in 1 bit the units for current position output point data.
Linked with point display unit of controller.

Value	Meaning
0	Pulse units
1	Millimeter units

bbbbbbbb : Shows the current position output data in 32 bits. (little endian)
Data is shown in integers when point display units are in pulses.
Data is shown in integers (x100) when point display units are in millimeters.

Abnormal end

Channel	Contents	Value
(mCH)	Status code	0x4000
(m+1CH)	Error code	0xaabb
(m+2CH)	Additional information	0xccdd
(m+3CH)	Not used	
to		
(m+15CH)		

aabb : Shows the group number in upper 8 bits, and the category number in lower 8 bits.

ccdd : Shows the additional information section in upper 8 bits, and the detail value in lower 8 bits.

Example:

Specify the PMOVE command with arch designation as shown at right, when moving the Z-axis to work position number 32 on pallet number 10 at 70% speed by way of a Z-axis arch position of 10.00mm. The current position output is specified at this time.

Values are expressed as shown at right when controller display units are in millimeters and with:

Axis 1 = 123.45
 Axis 2 = -1.23
 Axis 3 = 50.00
 Axis 4 = 90.23
 Other axes = 0.00

Channel	Value
(nCH)	0x0019
(n+1CH)	0x8014
(n+2CH)	0x0400
(n+3CH)	0x0046
(n+4CH)	0x000A
(n+5CH)	0x0020
(n+6CH)	0x0000
(n+7CH)	0x0000
(n+8CH)	0x03E8
(n+9CH)	0x0000
(n+10CH)	0x0000
(n+11CH)	0x0000
(n+12CH)	0x0000
(n+13CH)	0x0000
(n+14CH)	0x0000
(n+15CH)	0x0000

Channel	Value
(mCH)	0x0200
(m+1CH)	0x0000
(m+2CH)	0x0000
(m+3CH)	0x0001
(m+4CH)	0x3039
(m+5CH)	0x0000
(m+6CH)	0xFF85
(m+7CH)	0xFFFF
(m+8CH)	0x1388
(m+9CH)	0x0000
(m+10CH)	0x233F
(m+11CH)	0x0000
(m+12CH)	0x0000
(m+13CH)	0x0000
(m+14CH)	0x0000
(m+15CH)	0x0000

4.2.6 Jog movement command

Execute this command in MANUAL mode to move the robot in jog mode. This command can only be executed in MANUAL mode. This command is linked with the controller's point display unit. So the axis moves in PTP motion when the display units are in pulses, and moves by linear interpolation on the Cartesian coordinates when the units are in millimeters. Jog speed is determined by the manual movement speed.

To stop the jog command, set the dedicated input of the interlock signal (SI11) to OFF. Abnormal end status (0x4000) appears as the status code and the error code indicates that the robot has stopped by the interlock (0x0C02). After confirming that movement has stopped, set the dedicated input of the interlock signal to ON.

■ Command

Channel	Contents		Value
(nCH)	Command code	For main robot	0x0020
		For sub robot	0x00A0
(n+1CH)	Command flag	bit 14–bit 0 (0:Fixed)	0
		bit 15 Current position output designation flag	n
(n+2CH)	Axis to move and direction	bit 0 Axis 1	tt
		bit 1 Axis 2	
		bit 2 Axis 3	
		bit 3 Axis 4	
		bit 4 Axis 5	
		bit 5 Axis 6	
		bit 6 (0:Fixed)	0
		bit 7 Direction	d
	bit 15–bit 8 (0:Fixed)	0	
(n+3CH)	Not used		0x0000
to			
(n+15CH)			

n : Specify in 1 bit whether to output current position.

Value	Meaning
0	No output.
1	Output.

tt : Specify the axis to move in 0 to 3 bits. Only one axis can be specified.

d : Specify the movement direction in 1 bit.

Value	Meaning
0	+ direction
1	– direction

■ Status Normal end

Channel	Contents		Value
(mCH)	Status code		0x0200
(m+1CH)	Not used		
(m+2CH)	Not used		
(m+3CH)	Point flag	bit 0	Point unit
		bit 15–bit 1	Not used
(m+4CH)	Axis-1 data		0xbbbbbbbb
(m+5CH)	Axis-1 data		0xbbbbbbbb
(m+6CH)	Axis-2 data		0xbbbbbbbb
(m+7CH)	Axis-2 data		0xbbbbbbbb
(m+8CH)	Axis-3 data		0xbbbbbbbb
(m+9CH)	Axis-3 data		0xbbbbbbbb
(m+10CH)	Axis-4 data		0xbbbbbbbb
(m+11CH)	Axis-4 data		0xbbbbbbbb
(m+12CH)	Axis-5 data		0xbbbbbbbb
(m+13CH)	Axis-5 data		0xbbbbbbbb
(m+14CH)	Axis-6 data		0xbbbbbbbb
(m+15CH)	Axis-6 data		0xbbbbbbbb

a : Shows in 1 bit the units for current position output point data.
Linked with point display unit of controller.

Value	Meaning
0	Pulse units
1	Millimeter units

bbbbbbbb : Shows the current position output data in 32 bits. (little endian)
Data is shown in integers when point display units are in pulses.
Data is shown in integers (x100) when point display units are in millimeters.

Abnormal end (When jog movement was stopped by interlock)

Channel	Contents		Value
(mCH)	Status code		0x4000
(m+1CH)	Error code		0x0C02
(m+2CH)	Not used		
(m+3CH)	Point flag	bit 0	Point unit
		bit 15–bit 1	Not used
(m+4CH)	Axis-1 data		0xbbbbbbbb
(m+5CH)	Axis-1 data		0xbbbbbbbb
(m+6CH)	Axis-2 data		0xbbbbbbbb
(m+7CH)	Axis-2 data		0xbbbbbbbb
(m+8CH)	Axis-3 data		0xbbbbbbbb
(m+9CH)	Axis-3 data		0xbbbbbbbb
(m+10CH)	Axis-4 data		0xbbbbbbbb
(m+11CH)	Axis-4 data		0xbbbbbbbb
(m+12CH)	Axis-5 data		0xbbbbbbbb
(m+13CH)	Axis-5 data		0xbbbbbbbb
(m+14CH)	Axis-6 data		0xbbbbbbbb
(m+15CH)	Axis-6 data		0xbbbbbbbb

a : Shows in 1 bit the units for current position output point data.
Linked with point display unit of controller.

Value	Meaning
0	Pulse units
1	Millimeter units

bbbbbbbb : Shows the current position output data in 32 bits. (little endian)
 Data is shown in integers when point display units are in pulses.
 Data is shown in integers (x100) when point display units are in millimeters.

Abnormal end (other cases)

Channel	Contents	Value
(mCH)	Status code	0x4000
(m+1CH)	Error code	0xaabb
(m+2CH)	Additional information	0xccdd
(m+3CH)	Not used	
to		
(m+15CH)		

aabb : Shows the group number in upper 8 bits, and the category number in lower 8 bits.

ccdd : Shows the additional information section in upper 8 bits, and the detail value in lower 8 bits.

Example:

Specify the jog command as shown at right, to move axis 1 of the main robot in the minus (-) direction. The current position output is specified at this time.

Channel	Value
(nCH)	0x0020
(n+1CH)	0x8000
(n+2CH)	0x0081
(n+3CH)	0x0000
(n+4CH)	0x0000
(n+5CH)	0x0000
(n+6CH)	0x0000
(n+7CH)	0x0000
(n+8CH)	0x0000
(n+9CH)	0x0000
(n+10CH)	0x0000
(n+11CH)	0x0000
(n+12CH)	0x0000
(n+13CH)	0x0000
(n+14CH)	0x0000
(n+15CH)	0x0000

Values are expressed as shown at right, after robot movement with the jog command is stopped by the interlock signal, when controller display units are in millimeters and with:

- Axis 1 = 123.45
- Axis 2 = -1.23
- Axis 3 = 20.00
- Other axes = 0.00

Channel	Value
(mCH)	0x4000
(m+1CH)	0x0C02
(m+2CH)	0x0000
(m+3CH)	0x0001
(m+4CH)	0x3039
(m+5CH)	0x0000
(m+6CH)	0xFF85
(m+7CH)	0xFFFF
(m+8CH)	0x07D0
(m+9CH)	0x0000
(m+10CH)	0x0000
(m+11CH)	0x0000
(m+12CH)	0x0000
(m+13CH)	0x0000
(m+14CH)	0x0000
(m+15CH)	0x0000

4.2.7 Inching movement command

Execute this command to move the robot by inching in MANUAL mode. Inching movement distance is linked to the manual movement speed. The inching command can only be executed in MANUAL mode.

This command is linked with the controller's point display unit. So when display units are in pulses, the axis moves a certain number of pulses at the manual speed setting. When display units are in millimeters, the axis moves on Cartesian coordinates by linear interpolation at the manual speed setting divided by 100.

■ Command

Channel	Contents		Value
(nCH)	Command code		For main robot
			0x0024
(n+1CH)	Command flag	bit 14–bit 0	(0:Fixed)
		bit 15	Current position output designation flag
(n+2CH)	Axis to move and direction	bit 0	Axis 1
		bit 1	Axis 2
		bit 2	Axis 3
		bit 3	Axis 4
		bit 4	Axis 5
		bit 5	Axis 6
		bit 6	(0:Fixed)
		bit 7	Direction
(n+3CH)	bit 15–bit 8		(0:Fixed)
(n+15CH)	Not used		0x0000

n : Specify in 1 bit whether to output current position.

Value	Meaning
0	No output.
1	Output.

tt : Specify the axis to move in 0 to 3 bits. Only one axis can be specified.

d : Specify the movement direction in 1 bit.

Value	Meaning
0	+ direction
1	- direction

■ Status

Normal end

Channel	Contents		Value
(mCH)	Status code		0x0200
(m+1CH)	Not used		
(m+2CH)	Not used		
(m+3CH)	Point flag	bit 0	Point unit
		bit 15–bit 1	Not used
(m+4CH)	Axis-1 data		0xbbbbbbbb
(m+5CH)	Axis-2 data		0xbbbbbbbb
(m+6CH)	Axis-3 data		0xbbbbbbbb
(m+7CH)	Axis-4 data		0xbbbbbbbb
(m+8CH)	Axis-5 data		0xbbbbbbbb
(m+9CH)	Axis-6 data		0xbbbbbbbb
(m+10CH)	Axis-1 data		0xbbbbbbbb
(m+11CH)	Axis-2 data		0xbbbbbbbb
(m+12CH)	Axis-3 data		0xbbbbbbbb
(m+13CH)	Axis-4 data		0xbbbbbbbb
(m+14CH)	Axis-5 data		0xbbbbbbbb
(m+15CH)	Axis-6 data		0xbbbbbbbb

a : Shows in 1 bit the units for current position output point data. Linked with point display unit of controller.

Value	Meaning
0	Pulse units
1	Millimeter units

bbbbbbbb : Shows the current position output data in 32 bits. (little endian)
Data is shown in integers when point display units are in pulses.
Data is shown in integers (x100) when point display units are in millimeters.

Abnormal end

Channel	Contents	Value
(mCH)	Status code	0x4000
(m+1CH)	Error code	0xaabb
(m+2CH)	Additional information	0xccdd
(m+3CH)	Not used	
to		
(m+15CH)		

aabb : Shows the group number in upper 8 bits, and the category number in lower 8 bits.

ccdd : Shows the additional information section in upper 8 bits, and the detail value in lower 8 bits.

Example:

Specify the inching command as shown at right, to move axis 2 of the main robot in the plus direction. When controller's point display units are in millimeters, movement is in 0.5 mm steps at 50% manual speed. The current position output is specified at this time.

Values are expressed as shown at right, after executing the inching command and then stopping point movement, when controller display units are in millimeters and with;

Axis 1 = 123.45
 Axis 2 = -1.23
 Axis 3 = 20.00
 Other axes = 0.00

Channel	Value
(nCH)	0x0024
(n+1CH)	0x8000
(n+2CH)	0x0002
(n+3CH)	0x0000
(n+4CH)	0x0000
(n+5CH)	0x0000
(n+6CH)	0x0000
(n+7CH)	0x0000
(n+8CH)	0x0000
(n+9CH)	0x0000
(n+10CH)	0x0000
(n+11CH)	0x0000
(n+12CH)	0x0000
(n+13CH)	0x0000
(n+14CH)	0x0000
(n+15CH)	0x0000

Channel	Value
(mCH)	0x0200
(m+1CH)	0x0000
(m+2CH)	0x0000
(m+3CH)	0x0001
(m+4CH)	0x3039
(m+5CH)	0x0000
(m+6CH)	0xFF85
(m+7CH)	0xFFFF
(m+8CH)	0x07D0
(m+9CH)	0x0000
(m+10CH)	0x0000
(m+11CH)	0x0000
(m+12CH)	0x0000
(m+13CH)	0x0000
(m+14CH)	0x0000
(m+15CH)	0x0000

4.2.8 Point teaching command

Execute this command to teach the current robot position to the specified point number. Point data units of this command are linked to the controller's point display unit.

■ Command

Channel	Contents	Value
(nCH)	Command code	For main robot
		For sub robot
(n+1CH)	Not used	0x0000
(n+2CH)	Point number	0xpppp
(n+3CH)	Not used	0x0000
to		
(n+15CH)		

pppp : Specify the point number in 16 bits.
Specified range: 0 (= 0x0000) to 9999 (=0x270F)



CAUTION

In the RCX40 controllers whose software version is earlier than 8.28, point numbers from 0 to 4000 can be specified.

■ Status

Normal end

Channel	Contents	Value
(mCH)	Status code	0x0200
(m+1CH)	Not used	
to		
(m+15CH)		

Abnormal end

Channel	Contents	Value
(mCH)	Status code	0x4000
(m+1CH)	Error code	0xaabb
(m+2CH)	Additional information	0xccdd
(m+3CH)	Not used	
to		
(m+15CH)		

aabb : Shows the group number in upper 8 bits, and the category number in lower 8 bits.

ccdd : Shows the additional information section in upper 8 bits, and the detail value in lower 8 bits.

Example:

Use the point teaching command as shown at right, to teach the main robot current position to point 4000.

Channel	Value
(nCH)	0x0028
(n+1CH)	0x0000
(n+2CH)	0x0FA0
(n+3CH)	0x0000
to	
(n+15CH)	

Values are expressed as shown at right when executed correctly.

Channel	Value
(mCH)	0x0200
(m+1CH)	0x0000
to	
(m+15CH)	

4.2.9 Absolute reset movement command

When absolute reset of the specified axis uses the mark method, this command moves the axis to the nearest position where absolute reset can be executed. Positions capable of absolute reset are located at every 1/4 rotation of the motor.

■ Command

Channel	Contents		Value	
(nCH)	Command code	For main robot	0x0030	
		For sub robot	0x00B0	
(n+1CH)	Not used		0x0000	
(n+2CH)	Axis to move and direction	bit 0	Axis 1	
		bit 1	Axis 2	
		bit 2	Axis 3	
		bit 3	Axis 4	
		bit 4	Axis 5	
		bit 5	Axis 6	
		bit 6	(0:Fixed)	0
		bit 7	Direction	d
	bit 15-bit 8	(0:Fixed)	0	
(n+3CH)	Not used		0x0000	
to				
(n+15CH)				

tt : Specify the axis to move in 0 to 3 bits. Only one axis can be specified.

d : Specify the movement direction in 1 bit.

Value	Meaning
0	+ direction
1	- direction

■ Status

Normal end

Channel	Contents	Value
(mCH)	Status code	0x0200
(m+1CH)	Not used	
to		
(m+15CH)		

Abnormal end

Channel	Contents	Value
(mCH)	Status code	0x4000
(m+1CH)	Error code	0xaabb
(m+2CH)	Additional information	0xccdd
(m+3CH)	Not used	
to		
(m+15CH)		

aabb : Shows the group number in upper 8 bits, and the category number in lower 8 bits.

ccdd : Shows the additional information section in upper 8 bits, and the detail value in lower 8 bits.

Example:

Use the absolute reset movement command as shown at right, to move axis 2 of the main robot in the minus (-) direction to a position capable of absolute reset.

Channel	Value
(nCH)	0x0030
(n+1CH)	0x0000
(n+2CH)	0x0082
(n+3CH)	0x0000
to	
(n+15CH)	

4. Remote command information

Values are expressed as shown at right when executed correctly.

Channel	Value
(mCH)	0x0200
(m+1CH)	0x0000
to	
(m+15CH)	

Chapter

2

REMOTE COMMANDS

4.2.10 Absolute reset command

Execute this command to perform absolute reset on the specified axis. When absolute reset of the specified axis uses the mark method, a position capable of absolute reset is required. If no particular axis is specified (RWwn+2 is 0), then absolute reset is performed on all axes (main robot + sub robot) in either case of command code 0x0031 or 0x00B1. This command cannot be executed if return-to-origin on a mark-specified axis is incomplete. Perform absolute reset on each axis.

■ Command

Channel	Contents		Value
(nCH)	Command code	For main robot	0x0031
		For sub robot	0x00B1
(n+1CH)	Not used		0x0000
(n+2CH)	Specified axis	bit 0	Axis 1
		bit 1	Axis 2
		bit 2	Axis 3
		bit 3	Axis 4
		bit 4	Axis 5
		bit 5	Axis 6
		bit 15–bit 6	(0:Fixed)
(n+3CH)	Not used		0x0000
to			
(n+15CH)			

tt : Specify the axis to perform absolute reset in 0 to 3 bits.
 Only one axis can be specified.
 If no particular axis is specified then absolute reset is performed on all axes (main robot + sub robot).

■ Status

Normal end

Channel	Contents	Value
(mCH)	Status code	0x0200
(m+1CH)	Not used	
to		
(m+15CH)		

Abnormal end

Channel	Contents	Value
(mCH)	Status code	0x4000
(m+1CH)	Error code	0xaabb
(m+2CH)	Additional information	0xccdd
(m+3CH)	Not used	
to		
(m+15CH)		

aabb : Shows the group number in upper 8 bits, and the category number in lower 8 bits.

ccdd : Shows the additional information section in upper 8 bits, and the detail value in lower 8 bits.

Example:

Use this command as shown at right, to perform absolute reset on axis 2 of the main robot.

Channel	Value
(nCH)	0x0031
(n+1CH)	0x0000
(n+2CH)	0x0002
(n+3CH)	0x0000
to	
(n+15CH)	

Values are expressed as shown at right when executed correctly.

Channel	Value
(mCH)	0x0200
(m+1CH)	0x0000
to	
(m+15CH)	

4.2.11 Return-to-origin command

This command executes return-to-origin on the specified axis. When this command is executed on an incremental mode axis, that axis moves to its origin. When executed on a semi-absolute mode axis, an absolute search is performed on that axis. If no axis is specified (n+2CH is 0), return-to-origin is performed on all axes (main robot + sub robot) in either case of command code 0x0032 or 0x00B2.



CAUTION

- The return-to-origin command is only available from software version 8.33 onwards (RCX14x).
- Axes can be specified with the return-to-origin command only from software version 8.45 onwards (RCX14x). On earlier version controllers, the return-to-origin command is always performed on all axes and command code 0x0032 can only be used.

■ Command

Channel	Contents		Value
(nCH)	Command code	For main robot	0x0032
		For sub robot	0x00B2
(n+1CH)	Not used		0x0000
(n+2CH)	Specified axis	bit 0	Axis 1
		bit 1	Axis 2
		bit 2	Axis 3
		bit 3	Axis 4
		bit 4	Axis 5
		bit 5	Axis 6
		bit 15-bit 6	(0:Fixed)
(n+3CH)	Not used		0x0000
to			
(n+15CH)			

- tt : Specify the axis to perform return-to-origin in 0 to 3 bits. Only one axis can be specified. If no particular axis is specified then return-to-origin is performed on all axes (main robot + sub robot).

■ Status

Normal end

Channel	Contents	Value
(mCH)	Status code	0x0200
(m+1CH)	Not used	
to		
(m+15CH)		

Abnormal end

Channel	Contents	Value
(mCH)	Status code	0x4000
(m+1CH)	Error code	0xaabb
(m+2CH)	Additional information	0xccdd
(m+3CH)	Not used	
to		
(m+15CH)		

aabb : Shows the group number in upper 8 bits, and the category number in lower 8 bits.

ccdd : Shows the additional information section in upper 8 bits, and the detail value in lower 8 bits.

Example:

Use this command as shown at right, to perform return-to-origin on axis 2 of the main robot.

Channel	Value
(nCH)	0x0032
(n+1CH)	0x0000
(n+2CH)	0x0002
(n+3CH)	0x0000
to	
(n+15CH)	

Values are expressed as shown at right when executed correctly.

Channel	Value
(mCH)	0x0200
(m+1CH)	0x0000
to	
(m+15CH)	

4.2.12 Servo command

Execute this command group to operate the robot servos.

Servo ON :

Execute this command to turn on the servo of a specified axis. The motor power must be turned on when specifying the axis. All controller servos are turned on if no axis is specified.

Servo OFF :

Execute this command to turn off the servo of a specified axis. All controller servos are turned off if no axis is specified.

Servo Free :

Execute this command to turn off the mechanical brake and dynamic brake after turning off the servo of a specified axis. Servo OFF and Free are repeated when this command is consecutively executed.

Power ON:

Execute this command to turn on the motor power. No axis can be specified.

■ Command

Channel	Contents		Value	
(nCH)	Command code	Servo ON	For main robot	0x0034
			For sub robot	0x00B4
		Servo OFF	For main robot	0x0035
			For sub robot	0x00B5
		Servo Free	For main robot	0x0036
			For sub robot	0x00B6
	Power ON	All controller servos	0x0037	
(n+1CH)	Not used		0x0000	
(n+2CH)	Specified axis	bit 0	Axis 1	0x00tt
		bit 1	Axis 2	
		bit 2	Axis 3	
		bit 3	Axis 4	
		bit 4	Axis 5	
		bit 5	Axis 6	
		bit 15-bit 6	(0:Fixed)	
(n+3CH)	Not used		0x0000	
to				
(n+15CH)				

tt : Specify the axis to move in 0 to 3 bits. All controller servos are processed if no axis is specified. No axis can be specified when executing Power ON.

■ Status

Normal end

Channel	Contents	Value
(mCH)	Status code	0x0200
(m+1CH)	Not used	
to		
(m+15CH)		

Abnormal end

Channel	Contents	Value
(mCH)	Status code	0x4000
(m+1CH)	Error code	0xaabb
(m+2CH)	Additional information	0xccdd
(m+3CH)	Not used	
to		
(m+15CH)		

aabb : Shows the group number in upper 8 bits, and the category number in lower 8 bits.

ccdd : Shows the additional information section in upper 8 bits, and the detail value in lower 8 bits.

Example:

Use the servo command as shown at right, to free the servo of axis 4 of the main robot.

Channel	Value
(nCH)	0x0036
(n+1CH)	0x0000
(n+2CH)	0x0008
(n+3CH)	0x0000
to	
(n+15CH)	

Values are expressed as shown at right when executed correctly.

Channel	Value
(mCH)	0x0200
(m+1CH)	0x0000
(m+2CH)	0x0000
(m+3CH)	0x0000
to	
(m+15CH)	

4.2.13 Manual speed change command

Execute this command to change the manual movement speed in MANUAL mode. This command can only be executed in MANUAL mode.

■ Command

Channel	Contents		Value
(nCH)	Command code	For main robot	0x0038
		For sub robot	0x00B8
(n+1CH)	Not used		0x0000
(n+2CH)	Specified speed		0xssss
(n+3CH)	Not used		0x0000
to			
(n+15CH)			

ssss : Specify the manual movement speed in 16 bits.
Specified range: 1 (=0x0001) to 100 (=0x0064)

■ Status

Normal end

Channel	Contents	Value
(mCH)	Status code	0x0200
(m+1CH)	Not used	
to		
(m+15CH)		

Abnormal end

Channel	Contents	Value
(mCH)	Status code	0x4000
(m+1CH)	Error code	0xaabb
(m+2CH)	Additional information	0xccdd
(m+3CH)	Not used	
to		
(m+15CH)		

aabb : Shows the group number in upper 8 bits, and the category number in lower 8 bits.

ccdd : Shows the additional information section in upper 8 bits, and the detail value in lower 8 bits.

Example:

Use the manual speed change command as shown at right, to set the manual movement speed of the main robot to 20%.

Channel	Value
(nCH)	0x0038
(n+1CH)	0x0000
(n+2CH)	0x0014
(n+3CH)	0x0000
to	
(n+15CH)	

Values are expressed as shown at right when executed correctly.

Channel	Value
(mCH)	0x0200
(m+1CH)	0x0000
(m+2CH)	0x0000
(m+3CH)	0x0000
to	
(m+15CH)	

4.2.14 Auto speed change command

Execute this command to change the auto movement speed in AUTO mode.

■ Command

Channel	Contents		Value
(nCH)	Command code	For main robot	0x0039
		For sub robot	0x00B9
(n+1CH)	Not used		0x0000
(n+2CH)	Specified speed		0xssss
(n+3CH)	Not used		0x0000
to			
(n+15CH)			

ssss : Specify the auto movement speed in 16 bits.
Specified range: 1 (=0x0001) to 100 (=0x0064)

■ Status

Normal end

Channel	Contents	Value
(mCH)	Status code	0x0200
(m+1CH)	Not used	
to		
(m+15CH)		

Abnormal end

Channel	Contents	Value
(mCH)	Status code	0x4000
(m+1CH)	Error code	0xaabb
(m+2CH)	Additional information	0xccdd
(m+3CH)	Not used	
to		
(m+15CH)		

aabb : Shows the group number in upper 8 bits, and the category number in lower 8 bits.

ccdd : Shows the additional information section in upper 8 bits, and the detail value in lower 8 bits.

Example:

Use the auto speed change command as shown at right, to set the auto movement speed of the main robot to 80%.

Channel	Value
(nCH)	0x0039
(n+1CH)	0x0000
(n+2CH)	0x0050
(n+3CH)	0x0000
to	
(n+15CH)	

Values are expressed as shown at right when executed correctly.

Channel	Value
(mCH)	0x0200
(m+1CH)	0x0000
(m+2CH)	0x0000
(m+3CH)	0x0000
to	
(m+15CH)	

4.2.15 Program speed change command

Execute this command to change the program speed in AUTO mode. The program speed changed with this command is reset to 100% when the program is reset or changed.

■ **Command**

Channel	Contents		Value
(nCH)	Command code	For main robot	0x003A
		For sub robot	0x00BA
(n+1CH)	Not used		0x0000
(n+2CH)	Specified speed		0xssss
(n+3CH)	Not used		0x0000
to			
(n+15CH)			

ssss : Specify the program speed in 16 bits.
Specified range: 1 (=0x0001) to 100 (=0x0064)

■ **Status**

Normal end

Channel	Contents	Value
(mCH)	Status code	0x0200
(m+1CH)	Not used	
to		
(m+15CH)		

Abnormal end

Channel	Contents	Value
(mCH)	Status code	0x4000
(m+1CH)	Error code	0xaabb
(m+2CH)	Additional information	0xccdd
(m+3CH)	Not used	
to		
(m+15CH)		

aabb : Shows the group number in upper 8 bits, and the category number in lower 8 bits.

ccdd : Shows the additional information section in upper 8 bits, and the detail value in lower 8 bits.

Example:

Use the program speed change command as shown at right, to set the program speed for the main robot to 80%.

Channel	Value
(nCH)	0x003A
(n+1CH)	0x0000
(n+2CH)	0x0050
(n+3CH)	0x0000
to	
(n+15CH)	

Values are expressed as shown at right when executed correctly.

Channel	Value
(mCH)	0x0200
(m+1CH)	0x0000
(m+2CH)	0x0000
(m+3CH)	0x0000
to	
(m+15CH)	

4.2.16 Shift designation change command

Execute this command to change the selected shift to a specified shift number.

■ Command

Channel	Contents		Value
(nCH)	Command code	For main robot	0x003B
		For sub robot	0x00BB
(n+1CH)	Not used		0x0000
(n+2CH)	Specified shift number		0xssss
(n+3CH)	Not used		0x0000
to			
(n+15CH)			

ssss : Specify the shift number in 16 bits.
Specified range: 0 (=0x0000) to 9 (0x0009)

■ Status

Normal end

Channel	Contents	Value
(mCH)	Status code	0x0200
(m+1CH)	Not used	
to		
(m+15CH)		

Abnormal end

Channel	Contents	Value
(mCH)	Status code	0x4000
(m+1CH)	Error code	0xaabb
(m+2CH)	Additional information	0xccdd
(m+3CH)	Not used	
to		
(m+15CH)		

aabb : Shows the group number in upper 8 bits, and the category number in lower 8 bits.

ccdd : Shows the additional information section in upper 8 bits, and the detail value in lower 8 bits.

Example:

Use the shift designation change command as shown at right, to set the shift number of the main robot to shift 4.

Channel	Value
(nCH)	0x003B
(n+1CH)	0x0000
(n+2CH)	0x0004
(n+3CH)	0x0000
to	
(n+15CH)	

Values are expressed as shown at right when executed correctly.

Channel	Value
(mCH)	0x0200
(m+1CH)	0x0000
(m+2CH)	0x0000
(m+3CH)	0x0000
to	
(m+15CH)	

4.2.17 Hand designation change command

Execute this command to change the selected hand to a specified hand number.

■ Command

Channel	Contents		Value
(nCH)	Command code	For main robot	0x003C
		For sub robot	0x00BC
(n+1CH)	Not used		0x0000
(n+2CH)	Specified hand number		0xssss
(n+3CH)	Not used		0x0000
to			
(n+15CH)			

ssss : Specify the hand number in 16 bits.

Specified range for main robot : 0 (=0x0000) to 3 (0x0003)

Specified range for sub robot : 4 (=0x0004) to 7 (0x0007)

■ Status

Normal end

Channel	Contents	Value
(mCH)	Status code	0x0200
(m+1CH)	Not used	
to		
(m+15CH)		

Abnormal end

Channel	Contents	Value
(mCH)	Status code	0x4000
(m+1CH)	Error code	0xaabb
(m+2CH)	Additional information	0xccdd
(m+3CH)	Not used	
to		
(m+15CH)		

aabb : Shows the group number in upper 8 bits, and the category number in lower 8 bits.

ccdd : Shows the additional information section in upper 8 bits, and the detail value in lower 8 bits.

Example:

Use the hand designation change command as shown at right, to set the hand number of the main robot to hand 1.

Channel	Value
(nCH)	0x003C
(n+1CH)	0x0000
(n+2CH)	0x0001
(n+3CH)	0x0000
to	
(n+15CH)	

Values are expressed as shown at right when executed correctly.

Channel	Value
(mCH)	0x0200
(m+1CH)	0x0000
(m+2CH)	0x0000
(m+3CH)	0x0000
to	
(m+15CH)	

4.2.18 Arm designation change command

Execute this command to change the arm designation status. This command is valid only when SCARA robot is specified.

■ Command

Channel	Contents		Value
(nCH)	Command code	For main robot	0x003D
		For sub robot	0x00BD
(n+1CH)	Not used		0x0000
(n+2CH)	Status of specified arm		0xssss
(n+3CH)	Not used		0x0000
to			
(n+15CH)			

ssss : Specify the arm designation status in 16 bits.

Value	Meaning
0x0000	Right-handed system
0x0001	Left-handed system

■ Status

Normal end

Channel	Contents	Value
(mCH)	Status code	0x0200
(m+1CH)	Not used	
to		
(m+15CH)		

Abnormal end

Channel	Contents	Value
(mCH)	Status code	0x4000
(m+1CH)	Error code	0xaabb
(m+2CH)	Additional information	0xccdd
(m+3CH)	Not used	
to		
(m+15CH)		

aabb : Shows the group number in upper 8 bits, and the category number in lower 8 bits.

ccdd : Shows the additional information section in upper 8 bits, and the detail value in lower 8 bits.

Example:

Use the arm designation change command as shown at right, to set the arm designation status of the main robot to the right-handed system.

Channel	Value
(nCH)	0x003D
(n+1CH)	0x0000
(n+2CH)	0x0000
(n+3CH)	0x0000
to	
(n+15CH)	

Values are expressed as shown at right when executed correctly.

Channel	Value
(mCH)	0x0200
(m+1CH)	0x0000
(m+2CH)	0x0000
(m+3CH)	0x0000
to	
(m+15CH)	

4.2.19 Point display unit designation command

Execute this command to change the point display unit.

■ **Command**

Channel	Contents	Value
(nCH)	Command code	0x003E
(n+1CH)	Not used	0x0000
(n+2CH)	Display units for specified point	0xssss
(n+3CH)	Not used	0x0000
to		
(n+15CH)		

ssss : Specify the point display unit system in 16 bits.

Value	Meaning
0x0000	Pulse units
0x0001	Millimeter units
0x0002	Millimeter units (Tool coordinates)

■ **Status**

Normal end

Channel	Contents	Value
(mCH)	Status code	0x0200
(m+1CH)	Not used	
to		
(m+15CH)		

Abnormal end

Channel	Contents	Value
(mCH)	Status code	0x4000
(m+1CH)	Error code	0xaabb
(m+2CH)	Additional information	0xccdd
(m+3CH)	Not used	
to		
(m+15CH)		

aabb : Shows the group number in upper 8 bits, and the category number in lower 8 bits.

ccdd : Shows the additional information section in upper 8 bits, and the detail value in lower 8 bits.

Example:

Use the point display unit designation command as shown at right, to set the point display units to pulses.

Channel	Value
(nCH)	0x003E
(n+1CH)	0x0000
(n+2CH)	0x0000
(n+3CH)	0x0000
to	
(n+15CH)	

Values are expressed as shown at right when executed correctly.

Channel	Value
(mCH)	0x0200
(m+1CH)	0x0000
(m+2CH)	0x0000
(m+3CH)	0x0000
to	
(m+15CH)	

4.3 Category 2 remote commands

Category 2 remote commands are used to define or obtain point data.

A command list is given below.

No.	Command contents		Command code (nCH)	
1	Point-related commands	Point data definition	0x0100	
		Point data reference	0x0101	
2	Point comment-related commands	Point comment data definition	0x0104	
		Point comment data reference	0x0105	
3	Pallet-related command	Pallet data definition	0x0108	
		Pallet data reference	0x0109	
4	Shift-related command	Shift data definition	0x010C	
		Shift data reference	0x010D	
5	Hand-related command	Hand data definition	Main robot	0x0110
			Sub robot	0x0190
		Hand data reference	0x0111	

m: Input-area head CH number assigned to master module

n : Output-area head CH number assigned to master module

("m" indicates the data direction from remote to master, and "n" the data direction from master to remote.)

4.3.1 Point-related command

Execute this command to define or obtain point data.

4.3.1.1 Point data definition

This command defines point data by specifying the point number and position data on each axis.

■ Command

Channel	Contents		Value
(nCH)	Command code		0x0100
(n+1CH)	Command flag	bit 0	Point unit
		bit 2–bit 1	Hand system
		bit 15–bit 3	(0:Fixed)
(n+2CH)	Point number		0xssss
(n+3CH)	Not used		0x0000
(n+4CH)	Axis-1 data		0xbbbbbbbb
(n+5CH)			
(n+6CH)	Axis-2 data		0xbbbbbbbb
(n+7CH)			
(n+8CH)	Axis-3 data		0xbbbbbbbb
(n+9CH)			
(n+10CH)	Axis-4 data		0xbbbbbbbb
(n+11CH)			
(n+12CH)	Axis-5 data		0xbbbbbbbb
(n+13CH)			
(n+14CH)	Axis-6 data		0xbbbbbbbb
(n+15CH)			

u : Specify the point data unit in 1 bit.

Value	Meaning
0	Pulse units
1	Millimeter units

tt : Specify in 2 bits the hand system to be defined.
Valid only when SCARA robot is specified and units are in millimeters.

Value	Meaning
01	Right-handed system is defined.
10	Left-handed system is defined.
Others	No hand system is defined.

ssss : Specify the point number in 16 bits.
Specified range: 1 (=0x0001) to 9999 (=0x270F)

bbbbbbbb : Specify the point data in 32 bits. (little endian)
Data should be integers when units are in pulses.
Data should be integers (x100) when units are in millimeters.



CAUTION

In the RCX40 controllers whose software version is earlier than 8.28, point numbers from 0 to 4000 can be specified.

■ Status

Normal end

Channel	Contents	Value
(mCH)	Status code	0x0200
(m+1CH)	Not used	
to		
(m+15CH)		

Abnormal end

Channel	Contents	Value
(mCH)	Status code	0x4000
(m+1CH)	Error code	0xaabb
(m+2CH)	Additional information	0xccdd
(m+3CH)	Not used	
to		
(m+15CH)		

aabb : Shows the group number in upper 8 bits, and the category number in lower 8 bits.

ccdd : Shows the additional information section in upper 8 bits, and the detail value in lower 8 bits.

Example:

Use the point data definition command as shown at right, to create the following point data in pulse units.

Point number = 100
 Axis 1 = 10000
 Axis 2 = -20000
 Axis 3 = 5000
 Axis 4 = -18000
 Other axes = 0

Channel	Value
(nCH)	0x0100
(n+1CH)	0x0000
(n+2CH)	0x0064
(n+3CH)	0x0000
(n+4CH)	0x2710
(n+5CH)	0x0000
(n+6CH)	0xB1E0
(n+7CH)	0xFFFF
(n+8CH)	0x1388
(n+9CH)	0x0000
(n+10CH)	0xB9B0
(n+11CH)	0xFFFF
(n+12CH)	0x0000
(n+13CH)	0x0000
(n+14CH)	0x0000
(n+15CH)	0x0000

Values are expressed as shown at right when executed correctly.

Channel	Value
(mCH)	0x0200
(m+1CH)	0x0000
(m+2CH)	0x0000
(m+3CH)	0x0000
(m+4CH)	0x0000
(m+5CH)	0x0000
(m+6CH)	0x0000
(m+7CH)	0x0000
(m+8CH)	0x0000
(m+9CH)	0x0000
(m+10CH)	0x0000
(m+11CH)	0x0000
(m+12CH)	0x0000
(m+13CH)	0x0000
(m+14CH)	0x0000
(m+15CH)	0x0000

4.3.1.2 Point data reference

Use this command to find and obtain point data by specifying the point number.

■ Command

Channel	Contents	Value
(nCH)	Command code	0x0101
(n+1CH)	Not used	0x0000
(n+2CH)	Point number	0xssss
(n+3CH)	Not used	
to		
(n+15CH)		

ssss : Specify the point number in 16 bits.
Specified range: 0 (=0x0000) to 9999 (=0x270F)



CAUTION In the RCX40 controllers whose software version is earlier than 8.28, point numbers from 0 to 4000 can be specified.

■ Status

Normal end

Channel	Contents		Value
(mCH)	Status code		0x0200
(m+1CH)	Not used		
(m+2CH)	Point number		0xssss
(m+3CH)	Point flag	bit 0	Point unit
		bit 2–bit 1	Hand system
		bit 15–bit 3	(0:Fixed)
(m+4CH)	Axis-1 data		0xbbbbbbbb
(m+5CH)			
(m+6CH)	Axis-2 data		0xbbbbbbbb
(m+7CH)			
(m+8CH)	Axis-3 data		0xbbbbbbbb
(m+9CH)			
(m+10CH)	Axis-4 data		0xbbbbbbbb
(m+11CH)			
(m+12CH)	Axis-5 data		0xbbbbbbbb
(m+13CH)			
(m+14CH)	Axis-6 data		0xbbbbbbbb
(m+15CH)			

ssss : Shows the point number in 16 bits.
Specified range: 0 (=0x0000) to 9999 (=0x270F)

u : Shows the point data unit in 1 bit.

Value	Meaning
0	Pulse units
1	Millimeter units

tt : Shows in 2 bits the hand system to define point data.
Valid only when SCARA robot is specified and units are in millimeters.

Value	Meaning
00	No hand system is defined.
01	Right-handed system is defined.
10	Left-handed system is defined.

bbbbbbbb : Shows the point data in 32 bits. (little endian)
 Data is shown in integers when units are in pulses.
 Data is shown in integers (x100) when units are in millimeters.

Abnormal end

Channel	Contents	Value
(mCH)	Status code	0x4000
(m+1CH)	Error code	0xaabb
(m+2CH)	Additional information	0xccdd
(m+3CH)	Not used	
to		
(m+15CH)		

aabb : Shows the group number in upper 8 bits, and the category number in lower 8 bits.

ccdd : Shows the additional information section in upper 8 bits, and the detail value in lower 8 bits.

Example:

Use the point data reference command as shown at right, to search and obtain point data at point number 50.

Channel	Value
(nCH)	0x0101
(n+1CH)	0x0000
(n+2CH)	0x0032
(n+3CH)	0x0000
(n+4CH)	0x0000
(n+5CH)	0x0000
(n+6CH)	0x0000
(n+7CH)	0x0000
(n+8CH)	0x0000
(n+9CH)	0x0000
(n+10CH)	0x0000
(n+11CH)	0x0000
(n+12CH)	0x0000
(n+13CH)	0x0000
(n+14CH)	0x0000
(n+15CH)	0x0000

Values are expressed as shown at right when executed correctly to obtain the following point data.

Point number = 50
 Axis 1 = 100.00
 Axis 2 = -200.00
 Axis 3 = 50.00
 Axis 4 = -180.00
 Other axes = 0.00

Channel	Value
(mCH)	0x0200
(m+1CH)	0x0000
(m+2CH)	0x0032
(m+3CH)	0x0001
(m+4CH)	0x2710
(m+5CH)	0x0000
(m+6CH)	0xB1E0
(m+7CH)	0xFFFF
(m+8CH)	0x1388
(m+9CH)	0x0000
(m+10CH)	0xB9B0
(m+11CH)	0xFFFF
(m+12CH)	0x0000
(m+13CH)	0x0000
(m+14CH)	0x0000
(m+15CH)	0x0000

4.3.2 Point comment-related command

Execute this command to define or obtain point comment data.

4.3.2.1 Point comment data definition

Use this command to define point comment data by specifying the point number and point comment data.

■ Command

Channel	Contents	Value
(nCH)	Command code	0x0104
(n+1CH)	Not used	0x0000
(n+2CH)	Point number	0xssss
(n+3CH)	Not used	0x0000
(n+4CH)	Comment data	0xbbbb
(n+5CH)		0xbbbb
(n+6CH)		0xbbbb
(n+7CH)		0xbbbb
(n+8CH)		0xbbbb
(n+9CH)		0xbbbb
(n+10CH)		0xbbbb
(n+11CH)		0x00bb
(n+12CH)		0x00bb
to	Not used	0x0000
(n+15CH)		

ssss : Specify the point number in 16 bits.
Specified range: 0 (=0x0000) to 9999 (=0x270F)

bb : Specify 1 byte comment data in 8 bits. (little endian)
Specified range: "~" (=0x20) to "~" (=0x7E)



CAUTION In the RCX40 controllers whose software version is earlier than 8.28, point numbers from 0 to 4000 can be specified.

■ Status

Normal end

Channel	Contents	Value
(mCH)	Status code	0x0200
(m+1CH)	Not used	
to		
(m+15CH)		

Abnormal end

Channel	Contents	Value
(mCH)	Status code	0x4000
(m+1CH)	Error code	0xaabb
(m+2CH)	Additional information	0xccdd
(m+3CH)	Not used	
to		
(m+15CH)		

aabb : Shows the group number in upper 8 bits, and the category number in lower 8 bits.

ccdd : Shows the additional information section in upper 8 bits, and the detail value in lower 8 bits.

Example:

Use the point comment data definition command as shown at right, to create the following point comment data.

```

Point number      = 100
Comment data     = "WAIT ORG"
(character code   : "W" =0x57
                  : "A" =0x41
                  : "I" =0x49
                  : "T" =0x54
                  : " " =0x20
                  : "O" =0x4F
                  : "R" =0x52
                  : "G" =0x47)
  
```

Values are expressed as shown at right when executed correctly.

Channel	Value
(nCH)	0x0104
(n+1CH)	0x0000
(n+2CH)	0x0064
(n+3CH)	0x0000
(n+4CH)	0x4157
(n+5CH)	0x5449
(n+6CH)	0x4F20
(n+7CH)	0x4752
(n+8CH)	0x0000
(n+9CH)	0x0000
(n+10CH)	0x0000
(n+11CH)	0x0000
(n+12CH)	0x0000
(n+13CH)	0x0000
(n+14CH)	0x0000
(n+15CH)	0x0000

Channel	Value
(mCH)	0x0200
(m+1CH)	0x0000
(m+2CH)	0x0000
(m+3CH)	0x0000
(m+4CH)	0x0000
(m+5CH)	0x0000
(m+6CH)	0x0000
(m+7CH)	0x0000
(m+8CH)	0x0000
(m+9CH)	0x0000
(m+10CH)	0x0000
(m+11CH)	0x0000
(m+12CH)	0x0000
(m+13CH)	0x0000
(m+14CH)	0x0000
(m+15CH)	0x0000

4.3.2.2 Point comment data reference

Use this command to search and obtain point comment data by specifying the point number.

■ Command

Channel	Contents	Value
(nCH)	Command code	0x0105
(n+1CH)	Not used	0x0000
(n+2CH)	Point number	0xssss
(n+3CH)	Not used	0x0000
to		
(n+15CH)		

ssss : Specify the point number in 16 bits.
Specified range: 0 (=0x0000) to 9999 (=0x270F)



CAUTION In the RCX40 controllers whose software version is earlier than 8.28, point numbers from 0 to 4000 can be specified.

■ Status

Normal end

Channel	Contents	Value	
(mCH)	Status code	0x0200	
(m+1CH)	Not used		
(m+2CH)	Point number	0xssss	
(m+3CH)	Not used		
(m+4CH)	Comment data	0xbbbb	
(m+5CH)		0xbbbb	
(m+6CH)		0xbbbb	
(m+7CH)		0xbbbb	
(m+8CH)		0xbbbb	
(m+9CH)		0xbbbb	
(m+10CH)		0xbbbb	
(m+11CH)		0x00bb	
(m+12CH)		Not used	
to			
(m+15CH)			

ssss : Shows the point number in 16 bits.
Specified range: 0 (=0x0000) to 9999 (=0x270F)

bb : Shows the 1 byte comment data in 8 bits. (little endian)

Abnormal end

Channel	Contents	Value
(mCH)	Status code	0x4000
(m+1CH)	Error code	0xaabb
(m+2CH)	Additional information	0xccdd
(m+3CH)	Not used	
to		
(m+15CH)		

aabb : Shows the group number in upper 8 bits, and the category number in lower 8 bits.

ccdd : Shows the additional information section in upper 8 bits, and the detail value in lower 8 bits.

Example:

Use the point comment data reference command as shown at right, to obtain point comment data at point number 50.

Channel	Value
(nCH)	0x0105
(n+1CH)	0x0000
(n+2CH)	0x0032
(n+3CH)	0x0000
(n+4CH)	0x0000
(n+5CH)	0x0000
(n+6CH)	0x0000
(n+7CH)	0x0000
(n+8CH)	0x0000
(n+9CH)	0x0000
(n+10CH)	0x0000
(n+11CH)	0x0000
(n+12CH)	0x0000
(n+13CH)	0x0000
(n+14CH)	0x0000
(n+15CH)	0x0000

Values are expressed as shown at right when executed correctly to obtain the following point data.

Point number = 50
 Comment data = "WAIT ORG"

Channel	Value
(mCH)	0x0200
(m+1CH)	0x0000
(m+2CH)	0x0032
(m+3CH)	0x0000
(m+4CH)	0x4157
(m+5CH)	0x5449
(m+6CH)	0x4F20
(m+7CH)	0x4752
(m+8CH)	0x0000
(m+9CH)	0x0000
(m+10CH)	0x0000
(m+11CH)	0x0000
(m+12CH)	0x0000
(m+13CH)	0x0000
(m+14CH)	0x0000
(m+15CH)	0x0000

4.3.3 Pallet-related command

Execute this command to define or obtain pallet data.

4.3.3.1 Pallet data definition

Use this command to define pallet data by specifying the pallet number and the number of pallets (Nx, Ny, Nz).



NOTE

Point data used for pallet movement is determined by the pallet number. Refer to the robot controller user's manual or robot programming manual for detailed information.

■ Command

Channel	Contents	Value
(nCH)	Command code	0x0108
(n+1CH)	Not used	0x0000
(n+2CH)	Pallet number	0xssss
(n+3CH)	Number of pallets in X direction (Nx)	0xaaaa
(n+4CH)	Number of pallets in Y direction (Ny)	0xaaaa
(n+5CH)	Number of pallets in Z direction (Nz)	0xaaaa
(n+6CH)	Not used	0x0000
to		
(n+15CH)		

ssss : Specify the pallet number in 16 bits.
Specified range: 0 (=0x0000) to 19 (=0x0013)

aaaa : Specify the number of pallets (positive integer) in 16 bits.
Specified range: 0 (=0x0000) to 32767 (=0x7FFF)
The value of "Nx*Ny*Nz" should be 32767 or less.

■ Status

Normal end

Channel	Contents	Value
(mCH)	Status code	0x0200
(m+1CH)	Not used	
to		
(m+15CH)		

Abnormal end

Channel	Contents	Value
(mCH)	Status code	0x4000
(m+1CH)	Error code	0xaabb
(m+2CH)	Additional information	0xccdd
(m+3CH)	Not used	
to		
(m+15CH)		

aabb : Shows the group number in upper 8 bits, and the category number in lower 8 bits.

ccdd : Shows the additional information section in upper 8 bits, and the detail value in lower 8 bits.

Example:

Use the pallet data definition command as shown at right, to create the following pallet.

Pallet number = 10
 Nx = 10
 Ny = 15
 Nz = 1

Channel	Value
(nCH)	0x0108
(n+1CH)	0x0000
(n+2CH)	0x000A
(n+3CH)	0x000A
(n+4CH)	0x000F
(n+5CH)	0x0001
(n+6CH)	0x0000
to	
(n+15CH)	

Values are expressed as shown at right when executed correctly.

Channel	Value
(mCH)	0x0200
(m+1CH)	0x0000
(m+2CH)	0x0000
(m+3CH)	0x0000
to	
(m+15CH)	

4.3.3.2 Pallet data reference

Use this command to obtain pallet data by specifying the pallet number.

■ Command

Channel	Contents	Value
(nCH)	Command code	0x0109
(n+1CH)	Not used	0x0000
(n+2CH)	Pallet number	0xssss
(n+3CH)	Not used	0x0000
to		
(n+15CH)		

ssss : Specify the pallet number in 16 bits.
 Specified range: 0 (=0x0000) to 19 (=0x0013)

■ Status

Normal end

Channel	Contents	Value
(mCH)	Status code	0x0200
(m+1CH)	Not used	
(m+2CH)	Pallet number	0xssss
(m+3CH)	Number of pallets in X direction (Nx)	0xaaaa
(m+4CH)	Number of pallets in Y direction (Ny)	0xaaaa
(m+5CH)	Number of pallets in Z direction (Nz)	0xaaaa
(m+6CH)	Not used	
to		
(m+15CH)		

ssss : Shows the pallet number in 16 bits.
 aaaa : Shows the number of pallets in 16 bits.

Abnormal end

Channel	Contents	Value
(mCH)	Status code	0x4000
(m+1CH)	Error code	0xaabb
(m+2CH)	Additional information	0xccdd
(m+3CH)	Not used	
to		
(m+15CH)		

aabb : Shows the group number in upper 8 bits, and the category number in lower 8 bits.

ccdd : Shows the additional information section in upper 8 bits, and the detail value in lower 8 bits.

Example:

Use the pallet data reference command as shown at right, to obtain pallet data at pallet number 10.

Channel	Value
(nCH)	0x0109
(n+1CH)	0x0000
(n+2CH)	0x000A
(n+3CH)	0x0000
to	
(n+15CH)	

Values are expressed as shown at right when executed correctly to obtain the following pallet data.

Pallet number = 10
 Nx = 10
 Ny = 15
 Nz = 1

Channel	Value
(mCH)	0x0200
(m+1CH)	0x0000
(m+2CH)	0x000A
(m+3CH)	0x000A
(m+4CH)	0x000F
(m+5CH)	0x0001
(m+6CH)	0x0000
to	
(m+15CH)	

4.3.4 Shift-related command

Execute this command to define or obtain shift data.

4.3.4.1 Shift data definition

Use this command to define shift data by specifying the shift number and shift data.

■ Command

Channel	Contents	Value
(nCH)	Command code	0x010C
(n+1CH)	Not used	0x0000
(n+2CH)	Shift number	0xssss
(n+3CH)	Not used	0x0000
(n+4CH)	Axis-1 data	0xbbbbbbbb
(n+5CH)		
(n+6CH)	Axis-2 data	0xbbbbbbbb
(n+7CH)		
(n+8CH)	Axis-3 data	0xbbbbbbbb
(n+9CH)		
(n+10CH)	Axis-4 data	0xbbbbbbbb
(n+11CH)		
(n+12CH)	Not used	0x0000
to		
(n+15CH)		

ssss : Specify the shift number in 16 bits.
Specified range: 0 (=0x0000) to 9 (=0x0009)

bbbbbbbb : Specify the shift data in 32 bits. (little endian)
Data should be integers (x100).

■ Status

Normal end

Channel	Contents	Value
(mCH)	Status code	0x0200
(m+1CH)	Not used	
to		
(m+15CH)		

Abnormal end

Channel	Contents	Value
(mCH)	Status code	0x4000
(m+1CH)	Error code	0xaabb
(m+2CH)	Additional information	0xccdd
(m+3CH)	Not used	
to		
(m+15CH)		

aabb : Shows the group number in upper 8 bits, and the category number in lower 8 bits.

ccdd : Shows the additional information section in upper 8 bits, and the detail value in lower 8 bits.

4. Remote command information

Example:

Use the shift data definition command as shown at right, to create the following shift data.

Shift number = 5
Axis 1 = 100.00
Axis 2 = -200.00
Axis 3 = 50.00
Axis 4 = -180.00

Channel	Value
(nCH)	0x010C
(n+1CH)	0x0000
(n+2CH)	0x0005
(n+3CH)	0x0000
(n+4CH)	0x2710
(n+5CH)	0x0000
(n+6CH)	0xB1E0
(n+7CH)	0xFFFF
(n+8CH)	0x1388
(n+9CH)	0x0000
(n+10CH)	0xB9B0
(n+11CH)	0xFFFF
(n+12CH)	0x0000
(n+13CH)	0x0000
(n+14CH)	0x0000
(n+15CH)	0x0000

Values are expressed as shown at right when executed correctly.

Channel	Value
(mCH)	0x0200
(m+1CH)	0x0000
(m+2CH)	0x0000
(m+3CH)	0x0000
(m+4CH)	0x0000
(m+5CH)	0x0000
(m+6CH)	0x0000
(m+7CH)	0x0000
(m+8CH)	0x0000
(m+9CH)	0x0000
(m+10CH)	0x0000
(m+11CH)	0x0000
(m+12CH)	0x0000
(m+13CH)	0x0000
(m+14CH)	0x0000
(m+15CH)	0x0000

4.3.4.2 Shift data reference

Use this command to search and obtain shift data by specifying the shift number.

■ Command

Channel	Contents	Value
(nCH)	Command code	0x010D
(n+1CH)	Not used	0x0000
(n+2CH)	Shift number	0xssss
(n+3CH)	Not used	0x0000
to		
(n+15CH)		

ssss : Specify the shift number in 16 bits.
Specified range: 0 (=0x0000) to 9 (=0x0009)

■ Status

Normal end

Channel	Contents	Value
(mCH)	Status code	0x0200
(m+1CH)	Not used	
(m+2CH)	Shift number	0xssss
(m+3CH)	Not used	
(m+4CH)	Data 1	0xbbbbbbbb
(m+5CH)		
(m+6CH)	Data 2	0xbbbbbbbb
(m+7CH)		
(m+8CH)	Data 3	0xbbbbbbbb
(m+9CH)		
(m+10CH)	Data 4	0xbbbbbbbb
(m+11CH)		
(m+12CH)	Not used	
to		
(m+15CH)		

ssss : Shows the shift number in 16 bits.

bbbbbbbb : Shows the shift data in 32 bits. (little endian)
Data is show in integers (x100).

Abnormal end

Channel	Contents	Value
(mCH)	Status code	0x4000
(m+1CH)	Error code	0xaabb
(m+2CH)	Additional information	0xccdd
(m+3CH)	Not used	
to		
(m+15CH)		

aabb : Shows the group number in upper 8 bits, and the category number in lower 8 bits.

ccdd : Shows the additional information section in upper 8 bits, and the detail value in lower 8 bits.

4. Remote command information

Example:

Use the shift data reference command as shown at right, to obtain shift data at shift number 5.

Channel	Value
(nCH)	0x010D
(n+1CH)	0x0000
(n+2CH)	0x0005
(n+3CH)	0x0000
(n+4CH)	0x0000
(n+5CH)	0x0000
(n+6CH)	0x0000
(n+7CH)	0x0000
(n+8CH)	0x0000
(n+9CH)	0x0000
(n+10CH)	0x0000
(n+11CH)	0x0000
(n+12CH)	0x0000
(n+13CH)	0x0000
(n+14CH)	0x0000
(n+15CH)	0x0000

Values are expressed as shown at right when executed correctly to obtain the following shift data.

Shift number = 5
 Axis 1 = 100.00
 Axis 2 = -200.00
 Axis 3 = 50.00
 Axis 4 = -180.00

Channel	Value
(mCH)	0x0200
(m+1CH)	0x0000
(m+2CH)	0x0005
(m+3CH)	0x0000
(m+4CH)	0x2710
(m+5CH)	0x0000
(m+6CH)	0xB1E0
(m+7CH)	0xFFFF
(m+8CH)	0x1388
(m+9CH)	0x0000
(m+10CH)	0xB9B0
(m+11CH)	0xFFFF
(m+12CH)	0x0000
(m+13CH)	0x0000
(m+14CH)	0x0000
(m+15CH)	0x0000

4.3.5 Hand-related command

Execute this command to define or obtain hand data.

4.3.5.1 Hand data definition

Use this command to define hand data by specifying the hand number and each data.

■ Command

Channel	Contents		Value
(nCH)	Command code	For main robot	0x0110
		For sub robot	0x0190
(n+1CH)	Not used		0x0000
(n+2CH)	Hand number		0xssss
(n+3CH)	Not used		0x0000
(n+4CH)	Data 1		0xbbbbbbbb
(n+5CH)			
(n+6CH)	Data 2		0xbbbbbbbb
(n+7CH)			
(n+8CH)	Data 3		0xbbbbbbbb
(n+9CH)			
(n+10CH)	Data 4		0xbbbbbbbb
(n+11CH)			
(n+12CH)			
to	Not used		0x0000
(n+15CH)			

ssss : Specify the hand number in 16 bits.

Specified range for main robot : 0 (0x0000) to 3 (=0x0003)

Specified range for sub robot : 4 (=0x0004) to 7 (=0x0007)

bbbbbbbb : When SCARA robot is specified and data 4 is 0:

Data 1 : Specify the integer in 32 bits. (little endian)

Data 2 and 3 : Specify the integer (x100) in 32 bits. (little endian)

Data 4 : When hand is installed to R-axis =1, other cases =0

In other cases

Data 1 to 3 : Specify the integer (x100) in 32 bits. (little endian)

Data 4 : When hand is installed to R-axis =1, other cases =0

■ Status

Normal end

Channel	Contents	Value
(mCH)	Status code	0x0200
(m+1CH)	Not used	
to		
(m+15CH)		

Abnormal end

Channel	Contents	Value
(mCH)	Status code	0x4000
(m+1CH)	Error code	0xaabb
(m+2CH)	Additional information	0xccdd
(m+3CH)	Not used	
to		
(m+15CH)		

- aabb : Shows the group number in upper 8 bits, and the category number in lower 8 bits.
- ccdd : Shows the additional information section in upper 8 bits, and the detail value in lower 8 bits.

Example:

Use the hand data definition command as shown at right, to create hand data for a Cartesian robot.

```

Hand number = 1
Data 1      = 100.00
Data 2      = -20.00
Data 3      = 50.00
Data 4      = 0
    
```

Channel	Value
(nCH)	0x0110
(n+1CH)	0x0000
(n+2CH)	0x0001
(n+3CH)	0x0000
(n+4CH)	0x2710
(n+5CH)	0x0000
(n+6CH)	0xF830
(n+7CH)	0xFFFF
(n+8CH)	0x1388
(n+9CH)	0x0000
(n+10CH)	0x0000
(n+11CH)	0x0000
(n+12CH)	0x0000
(n+13CH)	0x0000
(n+14CH)	0x0000
(n+15CH)	0x0000

Values are expressed as shown at right when executed correctly.

Channel	Value
(mCH)	0x0200
(m+1CH)	0x0000
(m+2CH)	0x0000
(m+3CH)	0x0000
(m+4CH)	0x0000
(m+5CH)	0x0000
(m+6CH)	0x0000
(m+7CH)	0x0000
(m+8CH)	0x0000
(m+9CH)	0x0000
(m+10CH)	0x0000
(m+11CH)	0x0000
(m+12CH)	0x0000
(m+13CH)	0x0000
(m+14CH)	0x0000
(m+15CH)	0x0000

4.3.5.2 Hand data reference

Use this command to obtain hand data by specifying the hand number.

■ Commands

Channel	Contents	Value
(nCH)	Command code	0x0111
(n+1CH)	Not used	0x0000
(n+2CH)	Hand number	0xssss
(n+3CH)	Not used	0x0000
to		
(n+15CH)		

ssss : Specify the hand number in 16 bits.
 Specified range: 0 (0x0000) to 7 (=0x0007)
 (Numbers 0 to 3 are hand data for main robot, and numbers 4 to 7 are hand data for sub robot.)

■ Status

Normal end

Channel	Contents	Value
(mCH)	Status code	0x0200
(m+1CH)	Not used	
(m+2CH)	Hand number	0xssss
(m+3CH)	Not used	
(m+4CH)	Data 1	0xbbbbbbbb
(m+5CH)	Data 2	0xbbbbbbbb
(m+6CH)		
(m+7CH)	Data 3	0xbbbbbbbb
(m+8CH)		
(m+9CH)	Data 4	0xbbbbbbbb
(m+10CH)		
(m+11CH)		
(m+12CH)	Not used	
to		
(m+15CH)		

ssss : Shows the hand number in 16 bits.

bbbbbbbb : When SCARA robot is specified and data 4 is 0:

Data 1 : Shows the integer in 32 bits. (little endian)

Data 2 and 3 : Shows the integer (x100) in 32 bits. (little endian)

Data 4 : When hand is installed to R-axis =1, other cases =0

In other cases

Data 1 to 3 : Shows the integer (x100) in 32 bits. (little endian)

Data 4 : When hand is installed to R-axis =1, other cases =0

Abnormal end

Channel	Contents	Value
(mCH)	Status code	0x4000
(m+1CH)	Error code	0xaabb
(m+2CH)	Additional information	0xccdd
(m+3CH)	Not used	
to		
(m+15CH)		

aabb : Shows the group number in upper 8 bits, and the category number in lower 8 bits.

ccdd : Shows the additional information section in upper 8 bits, and the detail value in lower 8 bits.

Example:

Use the hand data reference command as shown at right, to obtain hand data.

Channel	Value
(nCH)	0x0111
(n+1CH)	0x0000
(n+2CH)	0x0001
(n+3CH)	0x0000
(n+4CH)	0x0000
(n+5CH)	0x0000
(n+6CH)	0x0000
(n+7CH)	0x0000
(n+8CH)	0x0000
(n+9CH)	0x0000
(n+10CH)	0x0000
(n+11CH)	0x0000
(n+12CH)	0x0000
(n+13CH)	0x0000
(n+14CH)	0x0000
(n+15CH)	0x0000

Values are expressed as shown at right when executed correctly to obtain the following hand data.

Hand number = 1
 Data 1 = 10000
 Data 2 = -20.00
 Data 3 = 50.00
 Data 4 = 0

Channel	Value
(mCH)	0x0200
(m+1CH)	0x0000
(m+2CH)	0x0001
(m+3CH)	0x0000
(m+4CH)	0x2710
(m+5CH)	0x0000
(m+6CH)	0xF830
(m+7CH)	0xFFFF
(m+8CH)	0x1388
(m+9CH)	0x0000
(m+10CH)	0x0000
(m+11CH)	0x0000
(m+12CH)	0x0000
(m+13CH)	0x0000
(m+14CH)	0x0000
(m+15CH)	0x0000

4.4 Category 3 remote commands

Category 2 remote commands are arithmetic commands. A command list is given below.

No.	Command contents		Command code (nCH)	
1	Static variable-related commands	Assignment	Value	0x0200
			Variable	0x0201
		Addition	Value	0x0204
			Variable	0x0205
		Subtraction	Value	0x0208
			Variable	0x0209
		Multiplication	Value	0x020C
			Variable	0x020D
		Division	Value	0x0210
			Variable	0x0211
Reference	Variable	0x0214		
	2	Assignment	Main robot	0x0220
Sub robot			0x02A0	
Reference		Main robot	0x0224	
		Sub robot	0x02A4	
3	Point-related command	Point assignment		0x0230
		Addition		0x0234
		Subtraction		0x0235
		Pallet point assignment		0x0238
4	Element assignment command	Point element assignment	"x1" input format	0x0240
			"x100" input format	0x0241
		Shift element assignment	"x100" input format	0x0245

m: Input-area head CH number assigned to master module
n : Output-area head CH number assigned to master module
("m" indicates the data direction from remote to master, and "n" the data direction from master to remote.)

4.4.1 Static variable-related command

Execute this command to assign a numerical value to a static variable for four arithmetic operations or reference.

4.4.1.1 Assigning a numerical value to a static variable

This command assigns a numerical value to a static variable (SGIn or SGRn) by specifying the destination variable number and the numerical value.

Variable number 1 = numerical value



Caution

- A real number is assigned when a real variable was used.
- Due to cancellation of significant digits when using real number data for assignment reference, the assigned data might sometimes differ from the reference data.

■ **Command**

Channel	Contents	Value
(nCH)	Command code	0x0200
(n+1CH)	Not used	0x0000
(n+2CH)	Variable number 1 (Variable number at assignment destination)	0xssss
(n+3CH)	Not used	0x0000
(n+4CH)	Numerical data	0xbbbbbbbb
(n+5CH)		
(n+6CH)	Not used	0x0000
to		
(n+15CH)		

ssss : Specify variable number 1 in 16 bits.
 Specified range for integer variable : 0 (0x0000) to 7 (=0x0007)
 Specified range for real variable : 256 (=0x0100) to 263 (=0x0107)

Integer variable	Variable number	Real variable	Variable number
SGI0	0(=0x0000)	SGR0	256(=0x0100)
SGI1	1(=0x0001)	SGR1	257(=0x0101)
:	:	:	:
SGI7	7(=0x0007)	SGR7	263(=0x0107)

bbbbbbbb : Specify the integer in 32 bits. (little endian)
 Specify a signed integer value when assigning to an integer variable.
 Specify a single-precision real number when assigning to a real variable.

■ **Status**

Normal end

Channel	Contents	Value
(mCH)	Status code	0x0200
(m+1CH)	Not used	
to		
(m+15CH)		

Abnormal end

Channel	Contents	Value
(mCH)	Status code	0x4000
(m+1CH)	Error code	0xaabb
(m+2CH)	Additional information	0xccdd
(m+3CH)	Not used	
to		
(m+15CH)		

aabb : Shows the group number in upper 8 bits, and the category number in lower 8 bits.

ccdd : Shows the additional information section in upper 8 bits, and the detail value in lower 8 bits.

Example:

Use this command as shown at right, to assign numerical data to variable number 1.

Variable number 1 = 1
Numerical data = 10000

Channel	Value
(nCH)	0x0200
(n+1CH)	0x0000
(n+2CH)	0x0001
(n+3CH)	0x0000
(n+4CH)	0x2710
(n+5CH)	0x0000
(n+6CH)	0x0000
(n+7CH)	0x0000
(n+8CH)	0x0000
(n+9CH)	0x0000
(n+10CH)	0x0000
(n+11CH)	0x0000
(n+12CH)	0x0000
(n+13CH)	0x0000
(n+14CH)	0x0000
(n+15CH)	0x0000

Values are expressed as shown at right when executed correctly.

Channel	Value
(mCH)	0x0200
(m+1CH)	0x0000
(m+2CH)	0x0000
(m+3CH)	0x0000
(m+4CH)	0x0000
(m+5CH)	0x0000
(m+6CH)	0x0000
(m+7CH)	0x0000
(m+8CH)	0x0000
(m+9CH)	0x0000
(m+10CH)	0x0000
(m+11CH)	0x0000
(m+12CH)	0x0000
(m+13CH)	0x0000
(m+14CH)	0x0000
(m+15CH)	0x0000

4.4.1.2 Assigning a variable to a static variable

This command assigns a numerical value to a static variable (SGIn or SGRn) by designating the source variable number and destination variable number.

Variable number 1 = Variable number 2

■ Command

Channel	Contents	Value
(nCH)	Command code	0x0201
(n+1CH)	Not used	0x0000
(n+2CH)	Variable number 1 (Variable number at assignment destination)	0xssss
(n+3CH)	Not used	0x0000
(n+4CH)	Variable number 2 (Variable number at assignment source)	0xssss
(n+5CH)	Not used	0x0000
to		
(n+15CH)		

ssss : Specify variable numbers 1 and 2 in 16 bits.
 Specified range for integer variable : 0 (0x0000) to 7 (=0x0007)
 Specified range for real variable : 256 (=0x0100) to 263 (=0x0107)

Integer variable	Variable number	Real variable	Variable number
SGI0	0(=0x0000)	SGR0	256(=0x0100)
SGI1	1(=0x0001)	SGR1	257(=0x0101)
:	:	:	:
SGI7	7(=0x0007)	SGR7	263(=0x0107)

■ Status

Normal end

Channel	Contents	Value
(mCH)	Status code	0x0200
(m+1CH)	Not used	
to		
(m+15CH)		

Abnormal end

Channel	Contents	Value
(mCH)	Status code	0x4000
(m+1CH)	Error code	0xaabb
(m+2CH)	Additional information	0xccdd
(m+3CH)	Not used	
to		
(m+15CH)		

aabb : Shows the group number in upper 8 bits, and the category number in lower 8 bits.

ccdd : Shows the additional information section in upper 8 bits, and the detail value in lower 8 bits.

Example:

Use this command as shown at right, to assign numerical data of variable number 2 to variable number 1.

Variable number 1 = 1

Variable number 2 = 2

Values are expressed as shown at right when executed correctly.

Channel	Value
(nCH)	0x0201
(n+1CH)	0x0000
(n+2CH)	0x0001
(n+3CH)	0x0000
(n+4CH)	0x0002
(n+5CH)	0x0000
(n+6CH)	0x0000
(n+7CH)	0x0000
(n+8CH)	0x0000
(n+9CH)	0x0000
(n+10CH)	0x0000
(n+11CH)	0x0000
(n+12CH)	0x0000
(n+13CH)	0x0000
(n+14CH)	0x0000
(n+15CH)	0x0000

Channel	Value
(mCH)	0x0200
(m+1CH)	0x0000
(m+2CH)	0x0000
(m+3CH)	0x0000
(m+4CH)	0x0000
(m+5CH)	0x0000
(m+6CH)	0x0000
(m+7CH)	0x0000
(m+8CH)	0x0000
(m+9CH)	0x0000
(m+10CH)	0x0000
(m+11CH)	0x0000
(m+12CH)	0x0000
(m+13CH)	0x0000
(m+14CH)	0x0000
(m+15CH)	0x0000

4.4.1.3 Arithmetic operation using numerical data on static variable

This command performs four arithmetic operations by specifying variable number 1 and a numerical value. Results are stored in a static variable (SGIn or SGRn) specified by variable number 1.

Variable number 1 = Variable number 1 (operator) numerical value

■ Command

Channel	Contents	Value	
(nCH)	Command code	Addition	0x0204
		Subtraction	0x0208
		Multiplication	0x020C
		Division	0x0210
(n+1CH)	Not used	0x0000	
(n+2CH)	Variable number 1 (Variable number at addition destination)	0xssss	
(n+3CH)	Not used	0x0000	
(n+4CH)	Numerical data	0xbbbbbbbb	
(n+5CH)			
(n+6CH)	Not used	0x0000	
to			
(n+15CH)			

ssss : Specify variable number 1 in 16 bits.
 Specified range for integer variable : 0 (0x0000) to 7 (=0x0007)
 Specified range for real variable : 256 (=0x0100) to 263 (=0x0107)

Integer variable	Variable number	Real variable	Variable number
SGI0	0(=0x0000)	SGR0	256(=0x0100)
SGI1	1(=0x0001)	SGR1	257(=0x0101)
:	:	:	:
SGI7	7(=0x0007)	SGR7	263(=0x0107)

bbbbbbbb : Specify the integer in 32 bits. (little endian)
 Specify a signed integer value when assigning to an integer variable.
 Specify a single-precision real number when assigning to a real variable.

■ Status

Normal end

Channel	Contents	Value
(mCH)	Status code	0x0200
(m+1CH)	Not used	
to		
(m+15CH)		

Abnormal end

Channel	Contents	Value
(mCH)	Status code	0x4000
(m+1CH)	Error code	0xaabb
(m+2CH)	Additional information	0xccdd
(m+3CH)	Not used	
to		
(m+15CH)		

aabb : Shows the group number in upper 8 bits, and the category number in lower 8 bits.
 ccdd : Shows the additional information section in upper 8 bits, and the detail value in lower 8 bits.

Example:

Use this command to assign numerical data to a static variable as shown at right.

Variable number 1 = 1

Numerical data = 10000

Values are expressed as shown at right when executed correctly.

Channel	Value
(nCH)	0x0204
(n+1CH)	0x0000
(n+2CH)	0x0001
(n+3CH)	0x0000
(n+4CH)	0x2710
(n+5CH)	0x0000
(n+6CH)	0x0000
(n+7CH)	0x0000
(n+8CH)	0x0000
(n+9CH)	0x0000
(n+10CH)	0x0000
(n+11CH)	0x0000
(n+12CH)	0x0000
(n+13CH)	0x0000
(n+14CH)	0x0000
(n+15CH)	0x0000

Channel	Value
(mCH)	0x0200
(m+1CH)	0x0000
(m+2CH)	0x0000
(m+3CH)	0x0000
(m+4CH)	0x0000
(m+5CH)	0x0000
(m+6CH)	0x0000
(m+7CH)	0x0000
(m+8CH)	0x0000
(m+9CH)	0x0000
(m+10CH)	0x0000
(m+11CH)	0x0000
(m+12CH)	0x0000
(m+13CH)	0x0000
(m+14CH)	0x0000
(m+15CH)	0x0000

4.4.1.4 Arithmetic operation using variable on static variable

This command performs four arithmetic operations by specifying variable numbers 1 and 2. Results are stored in a static variable (SGIn or SGRn) specified by variable number 1.

Variable number 1 = Variable number 1 (operator) variable number 2

■ Command

Channel	Contents	Value	
(nCH)	Command code	Addition	0x0205
		Subtraction	0x0209
		Multiplication	0x020D
		Division	0x0211
(n+1CH)	Not used	0x0000	
(n+2CH)	Variable number 1 (Variable number at arithmetic operation destination)	0xssss	
(n+3CH)	Not used	0x0000	
(n+4CH)	Variable number 2 (Variable number at arithmetic operation source)	0xssss	
(n+5CH)	Not used	0x0000	
to			
(n+15CH)			

ssss : Specify variable numbers 1 and 2 in 16 bits.
 Specified range for integer variable : 0 (0x0000) to 7 (=0x0007)
 Specified range for real variable : 256 (=0x0100) to 263 (=0x0107)

Integer variable	Variable number	Real variable	Variable number
SGI0	0(=0x0000)	SGR0	256(=0x0100)
SGI1	1(=0x0001)	SGR1	257(=0x0101)
:	:	:	:
SGI7	7(=0x0007)	SGR7	263(=0x0107)

■ Status

Normal end

Channel	Contents	Value
(mCH)	Status code	0x0200
(m+1CH)	Not used	
to		
(m+15CH)		

Abnormal end

Channel	Contents	Value
(mCH)	Status code	0x4000
(m+1CH)	Error code	0xaabb
(m+2CH)	Additional information	0xccdd
(m+3CH)	Not used	
to		
(m+15CH)		

aabb : Shows the group number in upper 8 bits, and the category number in lower 8 bits.

ccdd : Shows the additional information section in upper 8 bits, and the detail value in lower 8 bits.

Example:

Use this arithmetic operation command to multiply static variables as shown at right.

Variable number 1 = 1

Variable number 2 = 2

Values are expressed as shown at right when executed correctly.

Channel	Value
(nCH)	0x020D
(n+1CH)	0x0000
(n+2CH)	0x0001
(n+3CH)	0x0000
(n+4CH)	0x0002
(n+5CH)	0x0000
(n+6CH)	0x0000
(n+7CH)	0x0000
(n+8CH)	0x0000
(n+9CH)	0x0000
(n+10CH)	0x0000
(n+11CH)	0x0000
(n+12CH)	0x0000
(n+13CH)	0x0000
(n+14CH)	0x0000
(n+15CH)	0x0000

Channel	Value
(mCH)	0x0200
(m+1CH)	0x0000
(m+2CH)	0x0000
(m+3CH)	0x0000
(m+4CH)	0x0000
(m+5CH)	0x0000
(m+6CH)	0x0000
(m+7CH)	0x0000
(m+8CH)	0x0000
(m+9CH)	0x0000
(m+10CH)	0x0000
(m+11CH)	0x0000
(m+12CH)	0x0000
(m+13CH)	0x0000
(m+14CH)	0x0000
(m+15CH)	0x0000

4.4.1.5 Static variable value reference

Use this command to search and obtain the value stored in a static variable (SGIn or SGRn) by specifying the variable number.

■ Command

Channel	Contents	Value
(nCH)	Command code	0x0214
(n+1CH)	Not used	0x0000
(n+2CH)	Variable number	0xssss
(n+3CH)	Not used	0x0000
to		
(n+15CH)		

ssss : Specify variable number in 16 bits.
 Specified range for integer variable : 0 (0x0000) to 7 (=0x0007)
 Specified range for real variable : 256 (=0x0100) to 263 (=0x0107)

Integer variable	Variable number	Real variable	Variable number
SGI0	0(=0x0000)	SGR0	256(=0x0100)
SGI1	1(=0x0001)	SGR1	257(=0x0101)
:	:	:	:
SGI7	7(=0x0007)	SGR7	263(=0x0107)

■ Status

Normal end

Channel	Contents	Value
(mCH)	Status code	0x0200
(m+1CH)	Not used	
(m+2CH)	Variable number	0xssss
(m+3CH)	Not used	
(m+4CH)	Value of variable	0xbbbbbbbb
(m+5CH)		
(m+6CH)	Not used	
to		
(m+15CH)		

ssss : Specify variable number in 16 bits.
 Specified range for integer variable : 0 (0x0000) to 7 (=0x0007)
 Specified range for real variable : 256 (=0x0100) to 263 (=0x0107)

bbbbbbbb : Shows the numerical value in 32 bits. (little endian)
 Specify a signed integer value when assigning to an integer variable.
 Specify a single-precision real number when assigning to a real variable.

Abnormal end

Channel	Contents	Value
(mCH)	Status code	0x4000
(m+1CH)	Error code	0xaabb
(m+2CH)	Additional information	0xccdd
(m+3CH)	Not used	
to		
(m+15CH)		

aabb : Shows the group number in upper 8 bits, and the category number in lower 8 bits.

ccdd : Shows the additional information section in upper 8 bits, and the detail value in lower 8 bits.

Example:

Use this command as shown at right, to obtain the numerical value of variable number 5.

Values are expressed as shown at right when executed correctly to obtain the following variable.

Variable number = 5
Value = 50

Channel	Value
(nCH)	0x0214
(n+1CH)	0x0000
(n+2CH)	0x0005
(n+3CH)	0x0000
(n+4CH)	0x0000
(n+5CH)	0x0000
(n+6CH)	0x0000
(n+7CH)	0x0000
(n+8CH)	0x0000
(n+9CH)	0x0000
(n+10CH)	0x0000
(n+11CH)	0x0000
(n+12CH)	0x0000
(n+13CH)	0x0000
(n+14CH)	0x0000
(n+15CH)	0x0000

Channel	Value
(mCH)	0x0200
(m+1CH)	0x0000
(m+2CH)	0x0005
(m+3CH)	0x0000
(m+4CH)	0x0032
(m+5CH)	0x0000
(m+6CH)	0x0000
(m+7CH)	0x0000
(m+8CH)	0x0000
(m+9CH)	0x0000
(m+10CH)	0x0000
(m+11CH)	0x0000
(m+12CH)	0x0000
(m+13CH)	0x0000
(m+14CH)	0x0000
(m+15CH)	0x0000

4.4.2 Parameter-related command

Execute this command to assign a value to a parameter or obtain a parameter.

4.4.2.1 Assigning a value to a parameter

This command assigns a numerical value to a specified parameter by specifying the parameter number, axis and numerical value.

	Robot parameter	Parameter number	Assignment range
WEIGHT	Robot payload (kg)	1(=0x0001)	0 to maximum payload

	Axis parameter	Parameter number	Assignment range
ACCEL	Acceleration coefficient	257(=0x0101)	1 to 100
DECEL	Deceleration ratio	258(=0x0102)	1 to 100
TOLE	Tolerance (pulses)	259(=0x0103)	1 to 2048
OUTPOS	OUT effective position (pulses)	260(=0x0104)	1 to 614400
ARCH	Arch position (pulses)	261(=0x0105)	1 to 614400
AXWGHT	Axis payload (kg)	262(=0x0106)	0 to maximum payload
TORQUE	Torque (%)	263(=0x0107)	1 to 100

■ Command

Channel	Contents		Value
(nCH)	Command code	For main robot	0x0220
		For sub robot	0x02A0
(n+1CH)	Not used		0x0000
(n+2CH)	Parameter number		0xssss
(n+3CH)	Specified axis	bit 0	Axis 1
		bit 1	Axis 2
		bit 2	Axis 3
		bit 3	Axis 4
		bit 4	Axis 5
		bit 5	Axis 6
	bit 15–bit 6	(0:Fixed)	0x00tt
(n+4CH)	Numerical data		0xbbbbbbbb
(n+5CH)			
(n+6CH)			
to	Not used		0x0000
(n+15CH)			

ssss : Specify the parameter number in 16 bits.

tt : Specify the axis number in bit pattern using lower 8 bits. Only one axis can be specified. Specify "0" for robot parameters.

bbbbbbbb : Specify the integer in 32 bits. (little endian)

■ Status

Normal end

Channel	Contents	Value
(mCH)	Status code	0x0200
(m+1CH)	Not used	
to		
(m+15CH)		

Abnormal end

Channel	Contents	Value
(mCH)	Status code	0x4000
(m+1CH)	Error code	0xaabb
(m+2CH)	Additional information	0xccdd
(m+3CH)	Not used	
to		
(m+15CH)		

aabb : Shows the group number in upper 8 bits, and the category number in lower 8 bits.

ccdd : Shows the additional information section in upper 8 bits, and the detail value in lower 8 bits.

Example:

Use this command as shown at right, to assign a numerical value to the tolerance for axis 3 of the main robot.

Parameter number = 259

Specified axis = 3

Numerical data = 1000

Channel	Value
(nCH)	0x0220
(n+1CH)	0x0000
(n+2CH)	0x0103
(n+3CH)	0x0004
(n+4CH)	0x03E8
(n+5CH)	0x0000
(n+6CH)	0x0000
(n+7CH)	0x0000
(n+8CH)	0x0000
(n+9CH)	0x0000
(n+10CH)	0x0000
(n+11CH)	0x0000
(n+12CH)	0x0000
(n+13CH)	0x0000
(n+14CH)	0x0000
(n+15CH)	0x0000

Values are expressed as shown at right when executed correctly.

Channel	Value
(mCH)	0x0200
(m+1CH)	0x0000
(m+2CH)	0x0000
(m+3CH)	0x0000
(m+4CH)	0x0000
(m+5CH)	0x0000
(m+6CH)	0x0000
(m+7CH)	0x0000
(m+8CH)	0x0000
(m+9CH)	0x0000
(m+10CH)	0x0000
(m+11CH)	0x0000
(m+12CH)	0x0000
(m+13CH)	0x0000
(m+14CH)	0x0000
(m+15CH)	0x0000

4.4.2.2 Parameter value reference

Use this command to search and obtain parameter setting data by specifying the parameter number.

Robot parameter	Parameter number	Reference range
WEIGHT Robot payload (kg)	1(=0x0001)	0 to maximum payload

Axis parameter	Parameter number	Reference range
ACCEL Acceleration coefficient	257(=0x0101)	1 to 100
DECEL Deceleration ratio	258(=0x0102)	1 to 100
TOLE Tolerance (pulses)	259(=0x0103)	1 to 2048
OUTPOS OUT effective position (pulses)	260(=0x0104)	1 to 614400
ARCH Arch position (pulses)	261(=0x0105)	1 to 614400
AXWGHT Axis payload (kg)	262(=0x0106)	0 to maximum payload

■ Command

Channel	Contents		Value
(nCH)	Command code	For main robot	0x0224
		For sub robot	0x02B4
(n+1CH)	Not used		0x0000
(n+2CH)	Parameter number		0xssss
(n+3CH)	Specified axis	bit 0	Axis 1
		bit 1	Axis 2
		bit 2	Axis 3
		bit 3	Axis 4
		bit 4	Axis 5
		bit 5	Axis 6
		bit 15-bit 6	(0:Fixed)
(n+4CH)	Not used		0x0000
to			
(n+15CH)			

ssss : Specify the parameter number in 16 bits.

tt : Specify the axis number in bit pattern using lower 8 bits. Only one axis can be specified. Specify "0" for robot parameters.

■ Status

Normal end

Channel	Contents		Value
(mCH)	Status code		0x0200
(m+1CH)	Not used		
(m+2CH)	Parameter number		0xssss
(m+3CH)	Specified axis	bit 0	Axis 1
		bit 1	Axis 2
		bit 2	Axis 3
		bit 3	Axis 4
		bit 4	Axis 5
		bit 5	Axis 6
		bit 15-bit 6	Not used
(m+4CH)	Numerical data		0xbbbbbbbb
(m+5CH)			
(m+6CH)			
to	Not used		
(m+15CH)			

ssss : Specify the parameter number in 16 bits.

tt : Specify the axis number in bit pattern using lower 8 bits. Only one axis can be specified. Specify "0" for robot parameters.

bbbbbbbb : Specify the integer in 32 bits. (little endian)

Abnormal end

Channel	Contents	Value
(mCH)	Status code	0x4000
(m+1CH)	Error code	0xaabb
(m+2CH)	Additional information	0xccdd
(m+3CH)	Not used	
to		
(m+15CH)		

aabb : Shows the group number in upper 8 bits, and the category number in lower 8 bits.

ccdd : Shows the additional information section in upper 8 bits, and the detail value in lower 8 bits.

Example:

Use this command as shown at right, to obtain the OUT effective position of axis 1 of the main robot.

Parameter number = 260

Specified axis = 1

Channel	Value
(nCH)	0x0224
(n+1CH)	0x0000
(n+2CH)	0x0104
(n+3CH)	0x0001
(n+4CH)	0x0000
(n+5CH)	0x0000
(n+6CH)	0x0000
(n+7CH)	0x0000
(n+8CH)	0x0000
(n+9CH)	0x0000
(n+10CH)	0x0000
(n+11CH)	0x0000
(n+12CH)	0x0000
(n+13CH)	0x0000
(n+14CH)	0x0000
(n+15CH)	0x0000

Values are expressed as shown at right when executed correctly to obtain the following parameter.

Parameter number = 260

Specified axis = 1

Numerical data = 131071

Channel	Value
(mCH)	0x0200
(m+1CH)	0x0000
(m+2CH)	0x0104
(m+3CH)	0x0001
(m+4CH)	0xFFFF
(m+5CH)	0x0001
(m+6CH)	0x0000
(m+7CH)	0x0000
(m+8CH)	0x0000
(m+9CH)	0x0000
(m+10CH)	0x0000
(m+11CH)	0x0000
(m+12CH)	0x0000
(m+13CH)	0x0000
(m+14CH)	0x0000
(m+15CH)	0x0000

4.4.3 Point-related command

Execute this command to assign a point to a parameter or obtain a parameter.

4.4.3.1 Assigning a point to a parameter

This command assigns a numerical value to a specified parameter by specifying the parameter number, axis and numerical value.

Point number 1 = Point number 2

■ Command

Channel	Contents	Value
(nCH)	Command code	0x0230
(n+1CH)	Not used	0x0000
(n+2CH)	Point number 1 (Point number at assignment destination)	0xssss
(n+3CH)	Point number 2 (Point number at assignment source)	0xssss
(n+4CH)	Not used	0x0000
to		
(n+15CH)		

ssss : Specify the point number in 16 bits.
Specified range: 0 (= 0x0000) to 9999 (=0x270F)



CAUTION

In the RCX40 controllers whose software version is earlier than 8.28, point numbers from 0 to 4000 can be specified.

■ Status

Normal end

Channel	Contents	Value
(mCH)	Status code	0x0200
(m+1CH)	Not used	
to		
(m+15CH)		

Abnormal end

Channel	Contents	Value
(mCH)	Status code	0x4000
(m+1CH)	Error code	0xaabb
(m+2CH)	Additional information	0xccdd
(m+3CH)	Not used	
to		
(m+15CH)		

aabb : Shows the group number in upper 8 bits, and the category number in lower 8 bits.

ccdd : Shows the additional information section in upper 8 bits, and the detail value in lower 8 bits.

Example:

Use this command as shown at right, to assign a point to the specified point.

Point number 1 = 1

Point number 2 = 100

Values are expressed as shown at right when executed correctly.

Channel	Value
(nCH)	0x0230
(n+1CH)	0x0000
(n+2CH)	0x0001
(n+3CH)	0x0064
(n+4CH)	0x0000
(n+5CH)	0x0000
(n+6CH)	0x0000
(n+7CH)	0x0000
(n+8CH)	0x0000
(n+9CH)	0x0000
(n+10CH)	0x0000
(n+11CH)	0x0000
(n+12CH)	0x0000
(n+13CH)	0x0000
(n+14CH)	0x0000
(n+15CH)	0x0000

Channel	Value
(mCH)	0x0200
(m+1CH)	0x0000
(m+2CH)	0x0000
(m+3CH)	0x0000
(m+4CH)	0x0000
(m+5CH)	0x0000
(m+6CH)	0x0000
(m+7CH)	0x0000
(m+8CH)	0x0000
(m+9CH)	0x0000
(m+10CH)	0x0000
(m+11CH)	0x0000
(m+12CH)	0x0000
(m+13CH)	0x0000
(m+14CH)	0x0000
(m+15CH)	0x0000

4.4.3.2 Point addition/subtraction

This command adds and subtracts points by specifying point number 1 and point number 2.
Point number 1 = Point number 1 (operator) point number 2

■ Command

Channel	Contents	Value	
(nCH)	Command code	Addition	0x0234
		Subtraction	0x0235
(n+1CH)	Not used	0x0000	
(n+2CH)	Point number 1 (Point number at operation destination)	0xssss	
(n+3CH)	Point number 2 (Point number at operation source)	0xssss	
(n+4CH)	Not used	0x0000	
to			
(n+15CH)			

ssss : Specify the point number in 16 bits.
Specified range: 0 (= 0x0000) to 9999 (=0x270F)



CAUTION

In the RCX40 controllers whose software version is earlier than 8.28, point numbers from 0 to 4000 can be specified.

■ Status

Normal end

Channel	Contents	Value
(mCH)	Status code	0x0200
(m+1CH)	Not used	
to		
(m+15CH)		

Abnormal end

Channel	Contents	Value
(mCH)	Status code	0x4000
(m+1CH)	Error code	0xaabb
(m+2CH)	Additional information	0xccdd
(m+3CH)	Not used	
to		
(m+15CH)		

aabb : Shows the group number in upper 8 bits, and the category number in lower 8 bits.

ccdd : Shows the additional information section in upper 8 bits, and the detail value in lower 8 bits.

Example:

Use the point addition command as shown at right, to add point number 2 to point number 1.

Point number 1 = 1

Point number 2 = 100

Values are expressed as shown at right when executed correctly.

Channel	Value
(nCH)	0x0234
(n+1CH)	0x0000
(n+2CH)	0x0001
(n+3CH)	0x0064
(n+4CH)	0x0000
(n+5CH)	0x0000
(n+6CH)	0x0000
(n+7CH)	0x0000
(n+8CH)	0x0000
(n+9CH)	0x0000
(n+10CH)	0x0000
(n+11CH)	0x0000
(n+12CH)	0x0000
(n+13CH)	0x0000
(n+14CH)	0x0000
(n+15CH)	0x0000

Channel	Value
(mCH)	0x0200
(m+1CH)	0x0000
(m+2CH)	0x0000
(m+3CH)	0x0000
(m+4CH)	0x0000
(m+5CH)	0x0000
(m+6CH)	0x0000
(m+7CH)	0x0000
(m+8CH)	0x0000
(m+9CH)	0x0000
(m+10CH)	0x0000
(m+11CH)	0x0000
(m+12CH)	0x0000
(m+13CH)	0x0000
(m+14CH)	0x0000
(m+15CH)	0x0000

4.4.3.3 Assigning a pallet point

This command assigns a pallet point to the destination point number by specifying a pallet number and work position number.

Pallet point number = Pallet point (pallet number, work position number)



NOTE

- The target pallet must be defined.
- The maximum value of work position number is determined by the target pallet definition.

Command

Channel	Contents	Value
(nCH)	Command code	0x0238
(n+1CH)	Not used	0x0000
(n+2CH)	Point number (Point number at assignment destination)	0xssss
(n+3CH)	Pallet number	0xaaaa
(n+4CH)	Work position number	0xbbbb
(n+5CH)	Not used	0x0000
to		
(n+15CH)		

ssss : Specify the point number in 16 bits.
Specified range: 0 (=0x0000) to 9999 (=0x270F)

aaaa : Specify the pallet number in 16 bits.
Specified range: 0 (=0x0000) to 19 (=0x0013)

bbbb : Specify the work position number in 16 bits.
Specified range: 1 (=0x0000) to 32767 (=0x7FFF)



CAUTION

In the RCX40 controllers whose software version is earlier than 8.28, point numbers from 0 to 4000 can be specified.

Status

Normal end

Channel	Contents	Value
(mCH)	Status code	0x0200
(m+1CH)	Not used	
to		
(m+15CH)		

Abnormal end

Channel	Contents	Value
(mCH)	Status code	0x4000
(m+1CH)	Error code	0xaabb
(m+2CH)	Additional information	0xccdd
(m+3CH)	Not used	
to		
(m+15CH)		

aabb : Shows the group number in upper 8 bits, and the category number in lower 8 bits.

ccdd : Shows the additional information section in upper 8 bits, and the detail value in lower 8 bits.

Example:

Use this command as shown at right, to assign a pallet point to the following point.

Point number = 100

Pallet number = 2

Work position number = 133

Channel	Value
(nCH)	0x0238
(n+1CH)	0x0000
(n+2CH)	0x0064
(n+3CH)	0x0002
(n+4CH)	0x0085
(n+5CH)	0x0000
(n+6CH)	0x0000
(n+7CH)	0x0000
(n+8CH)	0x0000
(n+9CH)	0x0000
(n+10CH)	0x0000
(n+11CH)	0x0000
(n+12CH)	0x0000
(n+13CH)	0x0000
(n+14CH)	0x0000
(n+15CH)	0x0000

Values are expressed as shown at right when executed correctly.

Channel	Value
(mCH)	0x0200
(m+1CH)	0x0000
(m+2CH)	0x0000
(m+3CH)	0x0000
(m+4CH)	0x0000
(m+5CH)	0x0000
(m+6CH)	0x0000
(m+7CH)	0x0000
(m+8CH)	0x0000
(m+9CH)	0x0000
(m+10CH)	0x0000
(m+11CH)	0x0000
(m+12CH)	0x0000
(m+13CH)	0x0000
(m+14CH)	0x0000
(m+15CH)	0x0000

4.4.4 Element assignment command

Execute this command to assign a number to a point or shift element.

4.4.4.1 Assigning to a point element

This command assigns a numerical value to a point element by specifying the point number, data number and numerical value.

$$\text{LOC [data number] (point number) = numerical value}$$



NOTE

When 1000 is specified in the "x1" input format as a numerical value, 1000 is assigned.

When 1000 is specified in the "x100" input format as a numerical value, 10.00 is assigned.

Use the proper input format according to the point data format of the assignment destination.

■ **Command**

Channel	Contents		Value
(nCH)	Command code	"x1" input format	0x0240
		"x100" input format	0x0241
(n+1CH)	Not used		0x0000
(n+2CH)	Point number (Point number at assignment destination)		0xssss
(n+3CH)	Data number designation	bit 0	Data 1
		bit 1	Data 2
		bit 2	Data 3
		bit 3	Data 4
		bit 4	Data 5
		bit 5	Data 6
		bit 15-bit 6	(0:Fixed)
(n+4CH)	Numerical value		0xbbbbbbbb
(n+5CH)			
(n+6CH)			
to	Not used		0x0000
(n+15CH)			

ssss : Specify the point number in 16 bits.
Specified range: 0 (0x0000) to 9999 (=0x270F)

tt : Specify the data number in bit pattern using lower 6 bits.

bbbbbbbb : Specify the integer in 32 bits. (little endian)
Specify data in integers when using "x1" input format.
Specify data in integers (x100) when using "x100" input format.



CAUTION

In the RCX40 controllers whose software version is earlier than 8.28, point numbers from 0 to 4000 can be specified.

■ Status

Normal end

Channel	Contents	Value
(mCH)	Status code	0x0200
(m+1CH)	Not used	
to		
(m+15CH)		

Abnormal end

Channel	Contents	Value
(mCH)	Status code	0x4000
(m+1CH)	Error code	0xaabb
(m+2CH)	Additional information	0xccdd
(m+3CH)	Not used	
to		
(m+15CH)		

aabb : Shows the group number in upper 8 bits, and the category number in lower 8 bits.

ccdd : Shows the additional information section in upper 8 bits, and the detail value in lower 8 bits.

Example:

Use this command as shown at right, to assign a numerical value to part of the following point.

Point number = 1
 Data number designation = 4
 Numerical value = 10.00

Channel	Value
(nCH)	0x0241
(n+1CH)	0x0000
(n+2CH)	0x0001
(n+3CH)	0x0008
(n+4CH)	0x03E8
(n+5CH)	0x0000
(n+6CH)	0x0000
(n+7CH)	0x0000
(n+8CH)	0x0000
(n+9CH)	0x0000
(n+10CH)	0x0000
(n+11CH)	0x0000
(n+12CH)	0x0000
(n+13CH)	0x0000
(n+14CH)	0x0000
(n+15CH)	0x0000

Values are expressed as shown at right when executed correctly.

Channel	Value
(mCH)	0x0200
(m+1CH)	0x0000
(m+2CH)	0x0000
(m+3CH)	0x0000
(m+4CH)	0x0000
(m+5CH)	0x0000
(m+6CH)	0x0000
(m+7CH)	0x0000
(m+8CH)	0x0000
(m+9CH)	0x0000
(m+10CH)	0x0000
(m+11CH)	0x0000
(m+12CH)	0x0000
(m+13CH)	0x0000
(m+14CH)	0x0000
(m+15CH)	0x0000

4.4.4.2 Assigning to a shift element

This command assigns a numerical value to a shift element by specifying the shift number, data number and numerical value.

$$\text{LOC [data number] (shift number) = numerical value}$$

■ Command

Channel	Contents		Value
(nCH)	Command code		0x0245
(n+1CH)	Not used		0x0000
(n+2CH)	Shift number (Shift number at assignment destination)		0xssss
(n+3CH)	Data number designation	bit 0	Data 1
		bit 1	Data 2
		bit 2	Data 3
		bit 3	Data 4
		bit 15-bit 4	(0:Fixed)
(n+4CH)	Numerical value		0xbbbbbbbb
(n+5CH)			
(n+6CH)			
to	Not used		0x0000
(n+15CH)			

ssss : Specify the shift number in 16 bits.
Specified range: 0 (0x0000) to 9 (=0x0009)

tt : Specify the data number in bit pattern using lower 4 bits.

bbbbbbbb : Specify the integer (x100) in 32 bits. (little endian)

■ Status

Normal end

Channel	Contents	Value
(mCH)	Status code	0x0200
(m+1CH)	Not used	
to		
(m+15CH)		

Abnormal end

Channel	Contents	Value
(mCH)	Status code	0x4000
(m+1CH)	Error code	0xaabb
(m+2CH)	Additional information	0xccdd
(m+3CH)	Not used	
to		
(m+15CH)		

aabb : Shows the group number in upper 8 bits, and the category number in lower 8 bits.

ccdd : Shows the additional information section in upper 8 bits, and the detail value in lower 8 bits.

Example:

Use this command as shown at right, to assign a real number value to part of the following shift.

Shift number = 1
 Data number designation = 2
 Numerical value = 10.00

Channel	Value
(nCH)	0x0245
(n+1CH)	0x0000
(n+2CH)	0x0001
(n+3CH)	0x0002
(n+4CH)	0x03E8
(n+5CH)	0x0000
(n+6CH)	0x0000
(n+7CH)	0x0000
(n+8CH)	0x0000
(n+9CH)	0x0000
(n+10CH)	0x0000
(n+11CH)	0x0000
(n+12CH)	0x0000
(n+13CH)	0x0000
(n+14CH)	0x0000
(n+15CH)	0x0000

Values are expressed as shown at right when executed correctly.

Channel	Value
(mCH)	0x0200
(m+1CH)	0x0000
(m+2CH)	0x0000
(m+3CH)	0x0000
(m+4CH)	0x0000
(m+5CH)	0x0000
(m+6CH)	0x0000
(m+7CH)	0x0000
(m+8CH)	0x0000
(m+9CH)	0x0000
(m+10CH)	0x0000
(m+11CH)	0x0000
(m+12CH)	0x0000
(m+13CH)	0x0000
(m+14CH)	0x0000
(m+15CH)	0x0000

4.5 Category 4 remote commands

Category 4 remote commands are IO (I/O) port commands. A command list is given below.

No.	Command contents		Command code (nCH)	
1	I/O port command	Assignment	port units	0x0300
		Assignment	bit units	0x0301
		Reference	port units	0x0304

m: Input-area head CH number assigned to master module

n : Output-area head CH number assigned to master module

("m" indicates the data direction from remote to master, and "n" the data direction from master to remote.)

4.5.1 I/O port commands

Use these commands to assign a value to an I/O port or obtain the contents of a specified I/O port.

4.5.1.1 Assigning a numerical value to an I/O port

This command assigns a bit pattern to a port number by specifying the destination port number and bit pattern.

■ Command

Channel	Contents		Value
(nCH)	Command code	Port units	0x0300
		Bit units	0x0301
(n+1CH)	Not used		0x0000
(n+2CH)	Port number	bit 3–bit 0	Bit number
		bit 7–bit 4	Units of port number
		bit 11–bit 8	Tens of port number
		bit 15–bit 12	Specified port type
(n+3CH)	Assignment bit pattern		0x00bb
(n+4CH)	Not used		0x0000
to			
(n+15CH)			

g : Specify the bit number in 4 bits.
Specified range: 0 to 7

r, q : Specify the place of each port number in 4 bits.

p : Specify the port type in 4 bits. When in port units, specify 0 in the bit number.

Designated port type	Bit pattern	Specified range of port number
DO	0001	2 to 7, 10 to 17, 20 to 27
MO	0010	2 to 7, 10 to 17, 20 to 27
LO	0011	0
TO	0100	0
SO	0110	2 to 7, 10 to 17, 20 to 27

bb : Specify the bit pattern in 8 bits. When in bit units, use 0 or 1 to specify the bit pattern.

■ Status

Normal end

Channel	Contents	Value
(mCH)	Status code	0x0200
(m+1CH)	Not used	
to		
(m+15CH)		

Abnormal end

Channel	Contents	Value
(mCH)	Status code	0x4000
(m+1CH)	Error code	0xaabb
(m+2CH)	Additional information	0xccdd
(m+3CH)	Not used	
to		
(m+15CH)		

aabb : Shows the group number in upper 8 bits, and the category number in lower 8 bits.

ccdd : Shows the additional information section in upper 8 bits, and the detail value in lower 8 bits.

Example:

Use this command as shown at right, to output a numerical value to the following output port.

Output port = DO12 ()
Numerical data = 7

Channel	Value
(nCH)	0x0300
(n+1CH)	0x0000
(n+2CH)	0x1120
(n+3CH)	0x0007
(n+4CH)	0x0000
to	
(n+15CH)	

Values are expressed as shown at right when executed correctly.

Channel	Value
(mCH)	0x0200
(m+1CH)	0x0000
(m+2CH)	0x0000
(m+3CH)	0x0000
to	
(m+15CH)	

Example:

Use this command as shown at right, to output a numerical value to the following output port.

Output port = DO (21)
Numerical data = 1

Channel	Value
(nCH)	0x0301
(n+1CH)	0x0000
(n+2CH)	0x1021
(n+3CH)	0x0001
(n+4CH)	0x0000
to	
(n+15CH)	

Values are expressed as shown at right when executed correctly.

Channel	Value
(mCH)	0x0200
(m+1CH)	0x0000
(m+2CH)	0x0000
(m+3CH)	0x0000
to	
(m+15CH)	

4.5.1.2 I/O port reference

Use this command to obtain the contents of a port number by specifying the port number.

■ Command

Channel	Contents		Value
(nCH)	Command code	Port units	0x0304
(n+1CH)	Not used		0x0000
(n+2CH)	Port number	bit 3–bit 0	(0:Fixed)
		bit 7–bit 4	Units of port number
		bit 11–bit 8	Tens of port number
		bit 15–bit 12	Specified port type
(n+3CH)	Not used		0x0000
to			
(n+15CH)			

r, q : Specify the place of each port number in 4 bits.

p : Specify the port type in 4 bits.

Designated port type	Bit pattern	Specified range of port number
DI	0000	0 to 7,10 to 17,20 to 27
DO	0001	0 to 7,10 to 17,20 to 27
MO	0010	0 to 7,10 to 17,20 to 27
LO	0011	0
TO	0100	0
SI	0101	0 to 7,10 to 17,20 to 27
SO	0110	0 to 7,10 to 17,20 to 27

■ Status

Normal end

Channel	Contents		Value
(mCH)	Status code		0x0200
(m+1CH)	Not used		
(m+2CH)	Port number	bit 3–bit 0	Not used
		bit 7–bit 4	Units of port number
		bit 11–bit 8	Tens of port number
		bit 15–bit 12	Specified port type
(m+3CH)	Bit pattern		0x00bb
(m+4CH)	Not used		
to			
(m+15CH)			

r, q : Shows the place of each port number in 4 bits.

p : Shows the port type in 4 bits.

bb : Shows the bit pattern in 8 bits. When in bit units, 0 or 1 is used to show the bit pattern.

Abnormal end

Channel	Contents		Value
(mCH)	Status code		0x4000
(m+1CH)	Error code		0xaabb
(m+2CH)	Additional information		0xccdd
(m+3CH)	Not used		
to			
(m+15CH)			

aabb : Shows the group number in upper 8 bits, and the category number in lower 8 bits.

ccdd : Shows the additional information section in upper 8 bits, and the detail value in lower 8 bits.

4. Remote command information

Example:

Use this command as shown at right, to obtain the following port data.

Output port = DO12 ()

Channel	Value
(nCH)	0x0304
(n+1CH)	0x0000
(n+2CH)	0x1120
(n+3CH)	0x0000
to	
(n+15CH)	

Values are expressed as shown at right when executed correctly.

Output port = DO12 ()

Numerical data = 7

Channel	Value
(mCH)	0x0200
(m+1CH)	0x0000
(m+2CH)	0x1120
(m+3CH)	0x0007
(m+4CH)	0x0000
to	
(m+15CH)	

Example:

Use this command as shown at right, to output a numerical value to the following port data.

Input port = DI2 ()

Channel	Value
(nCH)	0x0304
(n+1CH)	0x0000
(n+2CH)	0x0020
(n+3CH)	0x0000
to	
(n+15CH)	

Values are expressed as shown at right when executed correctly.

Input port = DI2 ()

Numerical data = 127

Channel	Value
(mCH)	0x0200
(m+1CH)	0x0000
(m+2CH)	0x0020
(m+3CH)	0x007F
(m+4CH)	0x0000
to	
(m+15CH)	

4.6 Category 5 remote commands

Category 5 remote commands are key operation commands. A command list is given below.



NOTE

Category 5 commands can be used in AUTO mode.

No.	Command contents	Command code (nCH)	
1	Execution program designation	0x0401	
2	Program execution	Program execution	0x0402
		Program step execution	0x0403
		Program skip execution	0x0404
		Program next execution	0x0405
3	Program reset	0x0406	
4	Program task switching	0x0407	
5	Program execution information reference	0x0408	

m: Input-area head CH number assigned to master module
 n : Output-area head CH number assigned to master module
 ("m" indicates the data direction from remote to master, and "n" the data direction from master to remote.)

- * Key operation commands are the same as key instructions from the programming box. Normal status signifies that key input was received correctly and does not mean the actual operation was executed.
- * Upon receiving a normal status after issuing a key command, allow a time interval of at least 100ms before issuing the next command. This interval will prevent errors that may occur when issuing consecutive commands.
- * Check the robot program in-progress status output signal (SO13) to verify a program execution command has been run.
- * Check the program reset status output signal (SO14) to verify the program reset command has been run.

4.6.1 Execution program designation

Use this command to execute a robot program.

■ **Command**

Channel	Contents	Value
(nCH)	Command code	0x0401
(n+1CH)	Not used	0x0000
(n+2CH)	Program name	0xbbbb
(n+3CH)		0xbbbb
(n+4CH)		0xbbbb
(n+5CH)		0xbbbb
(n+6CH)		0xbbbb
to	Not used	0x0000
(n+15CH)		

bb : Specify the 1-byte program name in 8 bits. (little endian)
Specify a program name with letters (uppercase), numbers and underscores (_). When the program name is shorter than 8 characters, use a space.

■ **Status**

Normal end

Channel	Contents	Value
(mCH)	Status code	0x0200
(m+1CH)	Not used	
to		
(m+15CH)		

Abnormal end

Channel	Contents	Value
(mCH)	Status code	0x4000
(m+1CH)	Error code	0xaabb
(m+2CH)	Additional information	0xccdd
(m+3CH)	Not used	
to		
(m+15CH)		

aabb : Shows the group number in upper 8 bits, and the category number in lower 8 bits.

ccdd : Shows the additional information section in upper 8 bits, and the detail value in lower 8 bits.

Example:

Use this command as shown at right, to specify a program name "ABC_DE".

Channel	Value
(nCH)	0x0401
(n+1CH)	0x0000
(n+2CH)	0x4241
(n+3CH)	0x5F43
(n+4CH)	0x4544
(n+5CH)	0x2020
(n+6CH)	0x0000
to	
(n+15CH)	

Values are expressed as shown at right when executed correctly.

Channel	Value
(mCH)	0x0200
(m+1CH)	0x0000
to	
(m+15CH)	

4.6.2 Program execution

These commands execute robot program operations. These are only valid in AUTO mode.

Command	Meaning
Program execution	Starts automatic operation of a robot program. Performs the same processing as the START key on MPB (RUN key on RPB) and start input (SI12). Use the program in-progress status output signal (SO13) to verify the program is in progress.
Program step execution	Executes one line in the robot program. Enters the subroutine when a GOSUB statement is used. Performs the same processing as the STEP key (F11) on MPB or RPB.
Program skip execution	Skips one line in the program. Performs the same processing as the SKIP key (F12) on MPB or RPB.
Program next execution	Executes one line in the robot program. Executes the entire subroutine when a GOSUB statement is used. Performs the same processing as the NEXT key (F13) on MPB or RPB.

■ Command

Channel	Contents	Value
(nCH)	Command code	Program execution 0x0402
		Program step execution 0x0403
		Program skip execution 0x0404
		Program next execution 0x0405
(n+1CH) to (n+15CH)	Not used	0x0000

■ Status

Normal end

Channel	Contents	Value
(mCH)	Status code	0x0200
(m+1CH) to (m+15CH)	Not used	

Abnormal end

Channel	Contents	Value
(mCH)	Status code	0x4000
(m+1CH)	Error code	0xaabb
(m+2CH)	Additional information	0xccdd
(m+3CH) to (m+15CH)	Not used	

aabb : Shows the group number in upper 8 bits, and the category number in lower 8 bits.

ccdd : Shows the additional information section in upper 8 bits, and the detail value in lower 8 bits.

Example:

Use these commands to execute a program as shown at right.

Channel	Value
(nCH)	0x0402
(n+1CH) to (n+15CH)	0x0000

Values are expressed as shown at right when executed correctly.

Channel	Value
(mCH)	0x0200
(m+1CH) to (m+15CH)	0x0000

4.6.3 Program reset

This command resets the robot program. This is only valid in AUTO mode. Check the program reset status output signal (SO14) to verify the program has been reset.

■ **Command**

Channel	Contents	Value
(nCH)	Command code	0x0406
(n+1CH)	Not used	0x0000
to		
(n+15CH)		

■ **Status**

Normal end

Channel	Contents	Value
(mCH)	Status code	0x0200
(m+1CH)	Not used	
to		
(m+15CH)		

Abnormal end

Channel	Contents	Value
(mCH)	Status code	0x4000
(m+1CH)	Error code	0xaabb
(m+2CH)	Additional information	0xccdd
(m+3CH)	Not used	
to		
(m+15CH)		

aabb : Shows the group number in upper 8 bits, and the category number in lower 8 bits.

ccdd : Shows the additional information section in upper 8 bits, and the detail value in lower 8 bits.

Example:

Use this command to reset a program as shown at right,.

Channel	Value
(nCH)	0x0406
(n+1CH)	0x0000
to	
(n+15CH)	

Values are expressed as shown at right when executed correctly.

Channel	Value
(mCH)	0x0200
(m+1CH)	0x0000
to	
(m+15CH)	

4.6.4 Program task switching

This command switches tasks to run, when the robot program is stopped. This is only valid in AUTO mode.

■ Command

Channel	Contents	Value
(nCH)	Command code	0x0407
(n+1CH)	Not used	0x0000
to		
(n+15CH)		

■ Status

Normal end

Channel	Contents	Value
(mCH)	Status code	0x0200
(m+1CH)	Not used	
to		
(m+15CH)		

Abnormal end

Channel	Contents	Value
(mCH)	Status code	0x4000
(m+1CH)	Error code	0xaabb
(m+2CH)	Additional information	0xccdd
(m+3CH)	Not used	
to		
(m+15CH)		

aabb : Shows the group number in upper 8 bits, and the category number in lower 8 bits.

ccdd : Shows the additional information section in upper 8 bits, and the detail value in lower 8 bits.

Example:

Use this command to switch tasks as shown at right.

Channel	Value
(nCH)	0x0407
(n+1CH)	0x0000
to	
(n+15CH)	

Values are expressed as shown at right when executed correctly.

Channel	Value
(mCH)	0x0200
(m+1CH)	0x0000
to	
(m+15CH)	

4.6.5 Program execution information reference

Execute this command to acquire information on task execution, when the robot program is stopped. This is only valid in AUTO mode.

■ Command

Channel	Contents	Value
(nCH)	Command code	0x0408
(n+1CH)	Not used	0x0000
to		
(n+15CH)		

■ Status

Normal end

Channel	Contents	Value
(mCH)	Status code	0x0200
(m+1CH)	Not used	
(m+2CH)	Program name	0xbbbb
(m+3CH)		0xbbbb
(m+4CH)		0xbbbb
(m+5CH)		0xbbbb
(m+6CH)		Task number
(m+7CH)	Execution line number	0xllll
(m+8CH)	Task priority	0xpppp
(m+9CH)	Not used	
to		
(m+15CH)		

bb : Shows the 1-byte program name in 8 bits. (little endian).
Program names are shown with letters (uppercase), numbers and underscores
(_). A space indicates a portion in the program name not having all 8 characters.

tttt : Shows the currently selected task number (1 to 8).

llll : Shows the currently executed line of selected task (1 to 9999). A value + 10000 is shown when COMMON program is running.

pppp : Shows the priority of currently selected task (17 to 47).

Abnormal end

Channel	Contents	Value
(mCH)	Status code	0x4000
(m+1CH)	Error code	0xaabb
(m+2CH)	Additional information	0xccdd
(m+3CH)	Not used	
to		
(m+15CH)		

aabb : Shows the group number in upper 8 bits, and the category number in lower 8 bits.

ccdd : Shows the additional information section in upper 8 bits, and the detail value in lower 8 bits.

Example:

Use this command to switch program tasks as shown at right.

Values are expressed as shown at right when executed correctly to switch to the following program task.

Program name = "ABCDEFGH"
 Task number = 2
 Execution number = 101
 Task priority = 32

Channel	Value
(nCH)	0x0408
(n+1CH)	0x0000
to	
(n+15CH)	

Channel	Value
(mCH)	0x0200
(m+1CH)	0x0000
(m+2CH)	0x4241
(m+3CH)	0x4443
(m+4CH)	0x4645
(m+5CH)	0x4847
(m+6CH)	0x0002
(m+7CH)	0x0065
(m+8CH)	0x0020
(m+9CH)	0x0000
to	
(m+15CH)	

4.7 Category 6 remote commands

Category 6 remote commands are data handling commands. A command list is given below.

No.	Command contents		Command code (nCH)	
1	Version information reference		0x0501	
2	Controller configuration reference		0x0502	
3	Servo status reference		0x0503	
4	Absolute reset status reference		0x0504	
5	Current position reference	Pulse units	For main robot	0x0505
			For sub robot	0x0585
		Millimeter units	For main robot	0x0506
			For sub robot	0x0586
6	Task status reference		0x0507	
7	Task execution reference		0x0508	
8	Message reference		0x0509	
9	Speed status reference		0x050A	
10	Arm designation status reference		0x050B	
11	Arch arm status reference		0x050C	
12	Service mode status reference		0x050D	
13	Point unit status reference		0x050E	
14	Return-to-origin status reference		0x050F	

m: Input-area head CH number assigned to master module

n : Output-area head CH number assigned to master module
("m" indicates the data direction from remote to master, and "n" the data direction from master to remote.)

4.7.1 Version information reference

Execute this command to acquire information on the software version used in the robot controller.

■ Command

Channel	Contents	Value
(nCH)	Command code	0x0501
(n+1CH)	Not used	0x0000
to		
(n+15CH)		

■ Status

Normal end

Channel	Contents	Value
(mCH)	Status code	0x0200
(m+1CH)	Not used	
(m+2CH)	Host software version	0xaabb
(m+3CH)	Host software revision	0xcccc
(m+4CH)	Axis-1 driver software version	0xddee
(m+5CH)	Axis-2 driver software version	0xddee
(m+6CH)	Axis-3 driver software version	0xddee
(m+7CH)	Axis-4 driver software version	0xddee
(m+8CH)	Axis-5 driver software version	0xddee
(m+9CH)	Axis-6 driver software version	0xddee
(m+10CH)	Axis-7 driver software version	0xddee
(m+11CH)	Axis-8 driver software version	0xddee
(m+12CH)	Not used	
to		
(m+15CH)		

aabb : Shows the controller's host software version in upper 8 bits and lower 8 bits.

cccc : Shows the controller's host software revision in 16 bits.

ddee : Shows the controller's driver software version in upper 8 bits and lower 8 bits.

For axes that do not exist actually, the value is 0x0FFF.

Abnormal end

Channel	Contents	Value
(mCH)	Status code	0x4000
(m+1CH)	Error code	0xaabb
(m+2CH)	Additional information	0xccdd
(m+3CH)	Not used	
to		
(m+15CH)		

aabb : Shows the group number in upper 8 bits, and the category number in lower 8 bits.

ccdd : Shows the additional information section in upper 8 bits, and the detail value in lower 8 bits.

4. Remote command information

Example:

Use this command to obtain a software version as shown at right.

Channel	Value
(nCH)	0x0501
(n+1CH)	0x0000
to	
(n+15CH)	

Values are expressed as shown at right when executed correctly.

Host software version : V8.08
 Host software revision : R1013
 Axis-1 driver software version : V1.01
 Axis-2 driver software version : V1.01
 Axis-3 driver software version : V1.01
 Axis-4 driver software version : V1.01

No other axis exists.

Channel	Value
(mCH)	0x0200
(m+1CH)	0x0000
(m+2CH)	0x0808
(m+3CH)	0x03F5
(m+4CH)	0x0101
(m+5CH)	0x0101
(m+6CH)	0x0101
(m+7CH)	0x0101
(m+8CH)	0x0FFF
(m+9CH)	0x0FFF
(m+10CH)	0x0FFF
(m+11CH)	0x0FFF
(m+12CH)	0x0000
to	
(m+15CH)	

4.7.2 Controller configuration reference

Execute this command to acquire information on the settings made for the robot controller.

■ Command

Channel	Contents	Value
(nCH)	Command code	0x0502
(n+1CH)	Not used	0x0000
to		
(n+15CH)		

■ Status

Normal end

Channel	Contents	Value
(mCH)	Status code	0x0200
(m+1CH)	Not used	
(m+2CH)	Main robot number	0xaaaa
(m+3CH)	Sub robot number	0xaaaa
(m+4CH)	Axis-1 robot number	0xaaaa
(m+5CH)	Axis-2 robot number	0xaaaa
(m+6CH)	Axis-3 robot number	0xaaaa
(m+7CH)	Axis-4 robot number	0xaaaa
(m+8CH)	Axis-5 robot number	0xaaaa
(m+9CH)	Axis-6 robot number	0xaaaa
(m+10CH)	Axis-7 robot number	0xaaaa
(m+11CH)	Axis-8 robot number	0xaaaa
(m+12CH)	Unit number of option slot No. 1	0xpppp
(m+13CH)	Unit number of option slot No. 2	0xpppp
(m+14CH)	Unit number of option slot No. 3	0xpppp
(m+15CH)	Unit number of option slot No. 4	0xpppp

aaaa : Shows the robot number.

The robot number is determined before shipment according to the user specifications.

pppp : Shows the option slot unit No.

No.	Unit
0	Non
6	DIO unit (NPN specifications)
7	DIO unit (PNP specifications)
16	CC-Link unit
17	DeviceNet unit
18	Profibus unit
19	Ethernet unit
21	YC-Link unit

Abnormal end

Channel	Contents	Value
(mCH)	Status code	0x4000
(m+1CH)	Error code	0xaabb
(m+2CH)	Additional information	0xccdd
(m+3CH)	Not used	
to		
(m+15CH)		

aabb : Shows the group number in upper 8 bits, and the category number in lower 8 bits.

ccdd : Shows the additional information section in upper 8 bits, and the detail value in lower 8 bits.

Example:

Use thi command to obtain the robot configuration as shown at right.

Channel	Value
(nCH)	0x0502
(n+1CH)	0x0000
to	
(n+15CH)	

Values are expressed as shown at right when executed correctly.

Main robot number : 2000 (YK250X)
 Sub robot number : 100 (no robot)
 Axis-1 robot number: 2000 (YK250X)
 Axis2 robot number : 200 (YK250X)
 Axis-3 robot number: 200 (YK250X)
 Axs-4 robot number : 2000 (YK250X)
 Axis-5 robot number: 0 (no axis)
 Axis-6 robot number: 0 (no axis)
 Axis-7 robot number: 0 (no axis)
 Axis-8 robot number: 0 (no axis)
 Option slot 1 : 17 (DeviceNet unit)
 Option slot 2 : 6 (DIO unit (NPN specifications))
 Option slot 3 : 6 (DIO unit (NPN specifications))
 Option slot 4 : 0 (no unit)

Channel	Value
(mCH)	0x0200
(m+1CH)	0x0000
(m+2CH)	0x07D0
(m+3CH)	0x0064
(m+4CH)	0x07D0
(m+5CH)	0x07D0
(m+6CH)	0x07D0
(m+7CH)	0x07D0
(m+8CH)	0x0000
(m+9CH)	0x0000
(m+10CH)	0x0000
(m+11CH)	0x0000
(m+12CH)	0x0011
(m+13CH)	0x0006
(m+14CH)	0x0006
(m+15CH)	0x0000

4.7.3 Servo status reference

Execute this command to acquire information on servo status.

■ **Command**

Channel	Contents	Value
(nCH)	Command code	0x0503
(n+1CH)	Not used	0x0000
to		
(n+15CH)		

■ **Status**

Normal end

Channel	Contents	Value
(mCH)	Status code	0x0200
(m+1CH)	Not used	
(m+2CH)	Axis-1 information	0xaaaa
(m+3CH)	Axis-2 information	0xaaaa
(m+4CH)	Axis-3 information	0xaaaa
(m+5CH)	Axis-4 information	0xaaaa
(m+6CH)	Axis-5 information	0xaaaa
(m+7CH)	Axis-6 information	0xaaaa
(m+8CH)	Axis-7 information	0xaaaa
(m+9CH)	Axis-8 information	0xaaaa
(m+10CH)	Not used	
to		
(m+15CH)		

aaaa : Shows the servo status of each axis.

Value	Contents
0	Servo OFF + mechanical brake ON (Brake)
1	Servo ON (Servo)
2	Servo OFF + mechanical brake OFF (Free)
9	No axis

Abnormal end

Channel	Contents	Value
(mCH)	Status code	0x4000
(m+1CH)	Error code	0xaabb
(m+2CH)	Additional information	0xccdd
(m+3CH)	Not used	
to		
(m+15CH)		

aabb : Shows the group number in upper 8 bits, and the category number in lower 8 bits.

ccdd : Shows the additional information section in upper 8 bits, and the detail value in lower 8 bits.

Example:
Use this command to acquire a servo status as shown at right.

Channel	Value
(nCH)	0x0503
(n+1CH)	0x0000
to	
(n+15CH)	

Values are expressed as shown at right when executed correctly.

- Axis 1 : 1 (Servo ON)
- Axis 2 : 1 (Servo ON)
- Axis 3 : 2 (Servo Free)
- Axis 4 : 1 (Servo ON)
- Axis 5 : 9 (no axis)
- Axis 6 : 9 (no axis)
- Axis 7 : 9 no axis)
- Axis 8 : 9 (no axis)

Channel	Value
(mCH)	0x0200
(m+1CH)	0x0000
(m+2CH)	0x0001
(m+3CH)	0x0001
(m+4CH)	0x0002
(m+5CH)	0x0001
(m+6CH)	0x0009
(m+7CH)	0x0009
(m+8CH)	0x0009
(m+9CH)	0x0009
(m+10CH)	0x0000
to	
(m+15CH)	

4.7.4 Absolute reset status reference

Execute this command to acquire information on absolute reset status.

■ Command

Channel	Contents	Value
(nCH)	Command code	0x0504
(n+1CH)	Not used	0x0000
to		
(n+15CH)		

■ Status

Normal end

Channel	Contents	Value
(mCH)	Status code	0x0200
(m+1CH)	Not used	
(m+2CH)	Axis-1 information	0xaaaa
(m+3CH)	Axis-2 information	0xaaaa
(m+4CH)	Axis-3 information	0xaaaa
(m+5CH)	Axis-4 information	0xaaaa
(m+6CH)	Axis-5 information	0xaaaa
(m+7CH)	Axis-6 information	0xaaaa
(m+8CH)	Axis-7 information	0xaaaa
(m+9CH)	Axis-8 information	0xaaaa
(m+10CH)	Not used	
to		
(m+15CH)		

aaaa : Shows the absolute reset status of each axis.

Value	Contents
0	Return-to-origin incomplete
1	Return-to-origin complete
9	No axis

Abnormal end

Channel	Contents	Value
(mCH)	Status code	0x4000
(m+1CH)	Error code	0xaabb
(m+2CH)	Additional information	0xccdd
(m+3CH)	Not used	
to		
(m+15CH)		

aabb : Shws the group number in upper 8 bits, and the category number in lower 8 bits.

ccdd : Shows the additional information section in upper 8 bits, and the detail value in lower 8 bits.

Example:

Use this commnd to acquire an absolute reset status as shown at right.

Channel	Value
(nCH)	0x0504
(n+1CH)	0x0000
to	
(n+15CH)	

Values are exprsed as shown at right when executed correctly.

- Axis 1 : 1 (Return-to-origin complete)
- Axis 2 : 1 (Return-to-origin complete)
- Axis 3 : 0 (Return-to-origin incomplete)
- Axis 4 : 1 (Return-to-origin complete)
- Axis 5 : 9 (no axis)
- Axis 6 : 9 (no axis)
- Axis 7 : 9 (no axis)
- Axis 8 : 9 (no axis)

Channel	Value
(mCH)	0x0200
(m+1CH)	0x0000
(m+2CH)	0x0001
(m+3CH)	0x0001
(m+4CH)	0x0000
(m+5CH)	0x0001
(m+6CH)	0x0009
(m+7CH)	0x0009
(m+8CH)	0x0009
(m+9CH)	0x0009
(m+10CH)	0x0000
to	
(m+15CH)	

4.7.5 Current position reference

Execute this command group to obtain the robot current position data.

4.7.5.1 Pulse designation

Use this command to obtain the robot current position data in pulse units.

■ Command

Channel	Contents		Value
(nCH)	Command code	For main robot	0x0505
		For sub robot	0x0585
(n+1CH) to (n+15CH)	Not used		0x0000

■ Status

Normal end

Channel	Contents			Value
(mCH)	Status code			0x0200
(m+1CH)	Not used			
(m+2CH)	Not used			
(m+3CH)	Point flag	bit 0	Point unit	0
		bit 15-bit 1	Not used	0
(m+4CH)	Axis-1 data			0xbbbbbbbb
(m+5CH)	Axis-2 data			0xbbbbbbbb
(m+6CH)	Axis-3 data			0xbbbbbbbb
(m+7CH)	Axis-4 data			0xbbbbbbbb
(m+8CH)	Axis-5 data			0xbbbbbbbb
(m+9CH)	Axis-6 data			0xbbbbbbbb
(m+10CH)	Axis-1 data			0xbbbbbbbb
(m+11CH)	Axis-2 data			0xbbbbbbbb
(m+12CH)	Axis-3 data			0xbbbbbbbb
(m+13CH)	Axis-4 data			0xbbbbbbbb
(m+14CH)	Axis-5 data			0xbbbbbbbb
(m+15CH)	Axis-6 data			0xbbbbbbbb

bbbbbbbb : Shows the current position output data in 32 bits. (little endian)
Data is shown in integers.

Abnormal end

Channel	Contents	Value
(mCH)	Status code	0x4000
(m+1CH)	Error code	0xaabb
(m+2CH)	Additional information	0xccdd
(m+3CH) to (m+15CH)	Not used	

aabb : Shows the group number in upper 8 bits, and the category number in lower 8 bits.

ccdd : Shows the additional information section in upper 8 bits, and the detail value in lower 8 bits.

Example:

Use this command as shown at right, to obtain the main robot current position data in pulse units.

Channel	Value
(nCH)	0x0505
(n+1CH) to (n+15CH)	0x0000

4. Remote command information

Values are expressed as shown at right when executed correctly to obtain the following positions in pulse units.

Axis 1 = 20001
 Axis 3 = -12345
 Other axes = 0

Channel	Value
(mCH)	0x0200
(m+1CH)	0x0000
(m+2CH)	0x0000
(m+3CH)	0x0000
(m+4CH)	0x4E21
(m+5CH)	0x0000
(m+6CH)	0x0000
(m+7CH)	0x0000
(m+8CH)	0xCFC7
(m+9CH)	0xFFFF
(m+10CH)	0x0000
(m+11CH)	0x0000
(m+12CH)	0x0000
(m+13CH)	0x0000
(m+14CH)	0x0000
(m+15CH)	0x0000

4.7.5.2 Millimeter designation

Use this command to obtain the robot current position data in millimeter units.

■ Command

Channel	Contents		Value
(nCH)	Command code	For main robot	0x0506
		For sub robot	0x0586
(n+1CH) to (n+15CH)	Not used		0x0000

■ Status

Normal end

Channel	Contents			Value
(mCH)	Status code			0x0200
(m+1CH)	Not used			
(m+2CH)	Not used			
(m+3CH)	Point flag	bit 0	Point unit	1
		bit 2–bit 1	Hand system	tt
		bit 15–bit 3	Not used	0
(m+4CH)	Axis-1 data			0xbbbbbbbb
(m+5CH)	Axis-2 data			0xbbbbbbbb
(m+6CH)	Axis-3 data			0xbbbbbbbb
(m+7CH)	Axis-4 data			0xbbbbbbbb
(m+8CH)	Axis-5 data			0xbbbbbbbb
(m+9CH)	Axis-6 data			0xbbbbbbbb
(m+10CH)	Axis-7 data			0xbbbbbbbb
(m+11CH)	Axis-8 data			0xbbbbbbbb
(m+12CH)	Axis-9 data			0xbbbbbbbb
(m+13CH)	Axis-10 data			0xbbbbbbbb
(m+14CH)	Axis-11 data			0xbbbbbbbb
(m+15CH)	Axis-12 data			0xbbbbbbbb

tt : Shows in 2 bits the current hand system.
 Valid only for a SCARA robot is specified.

Value	Meaning
01	Right-handed is specified.
10	Left-handed is specified.

bbbbbbbb : Shows the current position output data in 32 bits. (little endian)
Data is shown in integers (x100).

Abnormal end

Channel	Contents	Value
(mCH)	Status code	0x4000
(m+1CH)	Error code	0xaabb
(m+2CH)	Additional information	0xccdd
(m+3CH)	Not used	
to		
(m+15CH)		

aabb : Shows the group number in upper 8 bits, and the category number in lower 8 bits.

ccdd : Shows the additional information section in upper 8 bits, and the detail value in lower 8 bits.

Example:

Use this command as shown at right, to obtain the main robot current position data in millimeter units.

Channel	Value
(nCH)	0x0506
(n+1CH)	0x0000
to	
(n+15CH)	

Values are expressed as shown at right when executed correctly to obtain the following positions in millimeter units.

Axis 1 = 200.01
Axis 3 = -123.45
Other axes = 0.00

Channel	Value
(mCH)	0x0200
(m+1CH)	0x0000
(m+2CH)	0x0000
(m+3CH)	0x0001
(m+4CH)	0x4E21
(m+5CH)	0x0000
(m+6CH)	0x0000
(m+7CH)	0x0000
(m+8CH)	0xCFC7
(m+9CH)	0xFFFF
(m+10CH)	0x0000
(m+11CH)	0x0000
(m+12CH)	0x0000
(m+13CH)	0x0000
(m+14CH)	0x0000
(m+15CH)	0x0000

4.7.6 Task status reference

Execute this command to acquire task execution status.

■ **Command**

Channel	Contents	Value
(nCH)	Command code	0x0507
(n+1CH)	Not used	0x0000
to		
(n+15CH)		

■ **Status**

Normal end

Channel	Contents	Value
(mCH)	Status code	0x0200
(m+1CH)	Not used	
(m+2CH)	Execution status of task 1	0xaaaa
(m+3CH)	Execution status of task 2	0xaaaa
(m+4CH)	Execution status of task 3	0xaaaa
(m+5CH)	Execution status of task 4	0xaaaa
(m+6CH)	Execution status of task 5	0xaaaa
(m+7CH)	Execution status of task 6	0xaaaa
(m+8CH)	Execution status of task 7	0xaaaa
(m+9CH)	Execution status of task 8	0xaaaa
(m+10CH)	Not used	
to		
(m+15CH)		

aaaa : Shows the execution status of each task.

Value	Contents
0	Stop status
1	Run status (Ready status / Wait status)
2	Suspend status
9	No task

Abnormal end

Channel	Contents	Value
(mCH)	Status code	0x4000
(m+1CH)	Error code	0xaabb
(m+2CH)	Additional information	0xccdd
(m+3CH)	Not used	
to		
(m+15CH)		

aabb : Shows the group number in upper 8 bits, and the category number in lower 8 bits.

ccdd : Shows the additional information section in upper 8 bits, and the detail value in lower 8 bits.

Example:

Use this command as shown at right, to acquire the execution status of a task.

Channel	Value
(nCH)	0x0507
(n+1CH)	0x0000
to	
(n+15CH)	

Values are expressed as shown at right when executed correctly.

Task 1 : 1 (Run status)
 Task 2 : 1 (Run status)
 Task 3 : 9 (no task)
 Task 4 : 9 (no task)
 Task 5 : 2 (Suspend status)
 Task 6 : 9 (no task)
 Task 7 : 9 (no task)
 Task 8 : 9 (no task)

Channel	Value
(mCH)	0x0200
(m+1CH)	0x0000
(m+2CH)	0x0001
(m+3CH)	0x0001
(m+4CH)	0x0009
(m+5CH)	0x0009
(m+6CH)	0x0002
(m+7CH)	0x0009
(m+8CH)	0x0009
(m+9CH)	0x0009
(m+10CH)	0x0000
to	
(m+15CH)	

4.7.7 Task execution line reference

Execute this command to acquire information on task execution line.

■ Command

Channel	Contents	Value
(nCH)	Command code	0x0508
(n+1CH)	Not used	0x0000
to		
(n+15CH)		

■ Status

Normal end

Channel	Contents	Value
(mCH)	Status code	0x0200
(m+1CH)	Not used	
(m+2CH)	Execution line of task 1	0xaaaa
(m+3CH)	Execution line of task 2	0xaaaa
(m+4CH)	Execution line of task 3	0xaaaa
(m+5CH)	Execution line of task 4	0xaaaa
(m+6CH)	Execution line of task 5	0xaaaa
(m+7CH)	Execution line of task 6	0xaaaa
(m+8CH)	Execution line of task 7	0xaaaa
(m+9CH)	Execution line of task 8	0xaaaa
(m+10CH)	Not used	
to		
(m+15CH)		

aaaa : Shows the execution line of each task.
 When no task exists, the value is 0.

Abnormal end

Channel	Contents	Value
(mCH)	Status code	0x4000
(m+1CH)	Error code	0xaabb
(m+2CH)	Additional information	0xccdd
(m+3CH)	Not used	
to		
(m+15CH)		

aabb : Shows the group number in upper 8 bits, and the category number in lower 8 bits.

ccdd : Shows the additional information section in upper 8 bits, and the detail value in lower 8 bits.

Example:

Use this command as shown at right, to acquire the execution line of a task.

Channel	Value
(nCH)	0x0508
(n+1CH)	0x0000
to	
(n+15CH)	

Values are expressed as shown at right when executed correctly.

- Task 1 : Execution on first line
- Task 2 : Execution on 19th line
- Task 3 : no task
- Task 4 : no task
- Task 5 : Execution on 99th line
- Task 6 : no task
- Task 7 : no task
- Task 8 : no task

Channel	Value
(mCH)	0x0200
(m+1CH)	0x0000
(m+2CH)	0x0001
(m+3CH)	0x0013
(m+4CH)	0x0000
(m+5CH)	0x0000
(m+6CH)	0x0063
(m+7CH)	0x0000
(m+8CH)	0x0000
(m+9CH)	0x0000
(m+10CH)	0x0000
to	
(m+15CH)	

4.7.8 Message reference

Execute this command to acquire information on error message status.

■ Command

Channel	Contents	Value
(nCH)	Command code	0x0509
(n+1CH)	Not used	0x0000
(n+2CH)	Error acquisition number	0xaaaa
(n+3CH)	Not used	0x0000
to		
(n+15CH)		

aaaa : Specify the error acquisition number.

No.	Contents
0	Message currently displayed on programming box.
1 to 500	Message number stored in error history.

■ Status

Normal end

Channel	Contents	Value
(mCH)	Status code	0x0200
(m+1CH)	Error code	0xaabb
(m+2CH)	Additional information	0xccdd
(m+3CH)	Not used	
to		
(m+15CH)		

aabb : Shows the group number in upper 8 bits, and the category number in lower 8 bits.

ccdd : Shows the additional information section in upper 8 bits, and the detail value in lower 8 bits.



NOTE

When "0" is specified for Error acquisition number, the message number and additional information which were last displayed on the programming box will be set to (m+1CH) and (m+2CH) . When error is cleared, 0 will be set to (m+1CH) and (m+2CH).

Abnormal end

Channel	Contents	Value
(mCH)	Status code	0x4000
(m+1CH)	Error code	0xaabb
(m+2CH)	Additional information	0xccdd
(m+3CH)	Not used	
to		
(m+15CH)		

aabb : Shows the group number in upper 8 bits, and the category number in lower 8 bits.

ccdd : Shows the additional information section in upper 8 bits, and the detail value in lower 8 bits.

Example:

Use this command as shown at right, to acquire the status of an error message.

Channel	Value
(nCH)	0x0509
(n+1CH)	0x0000
(n+2CH)	0x000A
(n+3CH)	0x0000
to	
(n+15CH)	

Values are expressed as shown at right when executed correctly.

Channel	Value
(mCH)	0x0200
(m+1CH)	0x0C02
(m+2CH)	0x0000
(m+3CH)	0x0000
to	
(m+15CH)	

4.7.9 Speed status reference

Execute this command to acquire information on current speed status.

■ Command

Channel	Contents	Value
(nCH)	Contents	0x050A
(n+1CH)	Not used	0x0000
to		
(n+15CH)		

■ Status**Normal end**

Channel	Contents	Value	
(mCH)	Status code	0x0200	
(m+1CH)	Not used		
(m+2CH)	Main robot	AUTO mode speed	0xaaaa
(m+3CH)		MANUAL mode speed	0xaaaa
(m+4CH)	Sub robot	AUTO mode speed	0xaaaa
(m+5CH)		MANUAL mode speed	0xaaaa
(m+6CH)	Not used		
to			
(m+15CH)			

aaaa : Shows the speed setting (1 to 100).
Shows "0" when no robot axis is specified.

Abnormal end

Channel	Contents	Value
(mCH)	Status code	0x4000
(m+1CH)	Error code	0xaabb
(m+2CH)	Additional information	0xccdd
(m+3CH)	Not used	
to		
(m+15CH)		

aabb : Shows the group number in upper 8 bits, and the category number in lower 8 bits.

ccdd : Shows the additional information section in upper 8 bits, and the detail value in lower 8 bits.

Example:

Use the speed status reference command as shown at right, to acquire the status of current speed.

Channel	Value
(nCH)	0x050A
(n+1CH)	0x0000
to	
(n+15CH)	

Values are expressed as shown at right when executed correctly.

Main robot speed in AUTO mode : 50%
Main robot speed in MANUAL mode : 50%

Channel	Value
(mCH)	0x0200
(m+1CH)	0x0000
(m+2CH)	0x0032
(m+3CH)	0x0032
(m+4CH)	0x0000
(m+5CH)	0x0000
(m+6CH)	0x0000
to	
(m+15CH)	

4.7.10 Arm designation status reference

Execute this command to acquire information on currently designated arm.

■ Command

Channel	Contents	Value
(nCH)	Command code	0x050B
(n+1CH)	Not used	0x0000
to		
(n+15CH)		

■ Status

Normal end

Channel	Contents	Value
(mCH)	Status code	0x0200
(m+1CH)	Not used	
(m+2CH)	Main robot status	0xaaaa
(m+3CH)	Sub robot status	0xaaaa
(m+4CH)	Not used	
to		
(m+15CH)		

aaaa : Shows the arm designation status.

Value	Contents
0	Right-handed system status
1	Left-handed system status
9	Robots other than SCARA robot

Abnormal end

Channel	Contents	Value
(mCH)	Status code	0x4000
(m+1CH)	Error code	0xaabb
(m+2CH)	Additional information	0xccdd
(m+3CH)	Not used	
to		
(m+15CH)		

aabb : Shows the group number in upper 8 bits, and the category number in lower 8 bits.

ccdd : Shows the additional information section in upper 8 bits, and the detail value in lower 8 bits.

Example:

Use this command as shown at right, to acquire the status of currently specified arm.

Channel	Value
(nCH)	0x050B
(n+1CH)	0x0000
to	
(n+15CH)	

Values are expressed as shown at right when executed correctly.

Main robot : 1 (Left-handed system status)

Sub robot : 9 (Robots other than SCARA robot)

Channel	Value
(mCH)	0x0200
(m+1CH)	0x0000
(m+2CH)	0x0001
(m+3CH)	0x0009
(m+4CH)	0x0000
to	
(m+15CH)	

4.7.11 Arm status reference

Execute this command to acquire information on arm.

■ Command

Channel	Contents	Value
(nCH)	Command code	0x050C
(n+1CH)	Not used	0x0000
to		
(n+15CH)		

■ Status**Normal end**

Channel	Contents	Value
(mCH)	Status code	0x0200
(m+1CH)	Not used	
(m+2CH)	Main robot status	0xaaaa
(m+3CH)	Sub robot status	0xaaaa
(m+4CH)	Not used	
to		
(m+15CH)		

aaaa : Shows the arm status.

Value	Contents
0	Right-handed system status
1	Left-handed system status
9	Robots other than SCARA robot

Abnormal end

Channel	Contents	Value
(mCH)	Status code	0x4000
(m+1CH)	Error code	0xaabb
(m+2CH)	Additional information	0xccdd
(m+3CH)	Not used	
to		
(m+15CH)		

aabb : Shows the group number in upper 8 bits, and the category number in lower 8 bits.

ccdd : Shows the additional information section in upper 8 bits, and the detail value in lower 8 bits.

Example:

Use this command as shown at right, to acquire the status of arm.

Channel	Value
(nCH)	0x050C
(n+1CH)	0x0000
to	
(n+15CH)	

Values are expressed as shown at right when executed correctly.

- Main robot : 1 (Left-handed system status)
- Sub robot : 9 (Robots other than SCARA robot)

Channel	Value
(mCH)	0x0200
(m+1CH)	0x0000
(m+2CH)	0x0001
(m+3CH)	0x0009
(m+4CH)	0x0000
to	
(m+15CH)	

4.7.12 Service mode status reference

Execute this command to acquire current information on service mode.

To use this command, DI dedicated input must be enabled by input device exclusive control.

■ **Command**

Channel	Contents	Value
(nCH)	Command code	0x050D
(n+1CH)	Not used	0x0000
to		
(n+15CH)		

■ **Status**

Normal end

Channel	Contents	Value
(mCH)	Status code	0x0200
(m+1CH)	Not used	
(m+2CH)	Setting status	0xaaaa
(m+3CH)	Not used	
to		
(m+15CH)		

aaaa : Shows the service mode setting status.

Value	Contents
0	Normal mode
1	Service mode

Abnormal end

Channel	Contents	Value
(mCH)	Status code	0x4000
(m+1CH)	Error code	0xaabb
(m+2CH)	Additional information	0xccdd
(m+3CH)	Not used	
to		
(m+15CH)		

aabb : Shows the group number in upper 8 bits, and the category number in lower 8 bits.

ccdd : Shows the additional information section in upper 8 bits, and the detail value in lower 8 bits.

Example:

Use this command as shown at right, to acquire the status of service mode.

Channel	Value
(nCH)	0x050D
(n+1CH)	0x0000
to	
(n+15CH)	

Values are expressed as shown at right when executed correctly.

Channel	Value
(mCH)	0x0200
(m+1CH)	0x0000
(m+2CH)	0x0001
(m+3CH)	0x0000
to	
(m+15CH)	

4.7.13 Point unit status reference

Execute this command to acquire current information on point units.

■ **Command**

Channel	Contents	Value
(nCH)	Command code	0x050E
(n+1CH)	Not used	0x0000
to		
(n+15CH)		

■ **Status**

Normal end

Channel	Contents	Value
(mCH)	Status code	0x0200
(m+1CH)	Not used	
(m+2CH)	Setting status	0xaaaa
(m+3CH)	Not used	
to		
(m+15CH)		

aaaa : Shows the point setting status.

Value	Contents
0	Pulse units
1	Millimeter units
2	Tool coordinates

Abnormal end

Channel	Contents	Value
(mCH)	Status code	0x4000
(m+1CH)	Error code	0xaabb
(m+2CH)	Additional information	0xccdd
(m+3CH)	Not used	
to		
(m+15CH)		

aabb : Shows the group number in upper 8 bits, and the category number in lower 8 bits.

ccdd : Shows the additional information section in upper 8 bits, and the detail value in lower 8 bits.

Example:

Use this command as shown at right, to acquire the status of point units.

Channel	Value
(nCH)	0x050E
(n+1CH)	0x0000
to	
(n+15CH)	

Values are expressed as shown at right when executed correctly.

Channel	Value
(mCH)	0x0200
(m+1CH)	0x0000
(m+2CH)	0x0001
(m+3CH)	0x0000
to	
(m+15CH)	

4.7.14 Return-to-origin status reference

Execute this command to acquire information on the return-to-origin status.

**CAUTION**

The return-to-origin status reference command is available with software version 8.45 onwards (RCX14x).

■ Command

Channel	Contents	Value
(nCH)	Command code	0x050F
(n+1CH)	Not used	0x0000
to		
(n+15CH)		

■ Status

Normal end

Channel	Contents	Value
(mCH)	Status code	0x0200
(m+1CH)	Not used	
(m+2CH)	Axis-1 information	0xaaaa
(m+3CH)	Axis-2 information	0xaaaa
(m+4CH)	Axis-3 information	0xaaaa
(m+5CH)	Axis-4 information	0xaaaa
(m+6CH)	Axis-5 information	0xaaaa
(m+7CH)	Axis-6 information	0xaaaa
(m+8CH)	Axis-7 information	0xaaaa
(m+9CH)	Axis-8 information	0xaaaa
(m+10CH)	Not used	
to		
(m+15CH)		

aaaa : Shows the return-to-origin status of each axis.

Value	Contents
0	Return-to-origin incomplete
1	Return-to-origin complete
9	No axis

Abnormal end

Channel	Contents	Value
(mCH)	Status code	0x4000
(m+1CH)	Error code	0xaabb
(m+2CH)	Additional information	0xccdd
(m+3CH)	Not used	
to		
(m+15CH)		

aabb : Shows the group number in upper 8 bits, and the category number in lower 8 bits.

ccdd : Shows the additional information section in upper 8 bits, and the detail value in lower 8 bits.

Example:

Use this command to obtain a return-to-origin status as shown at right.

Channel	Value
(nCH)	0x050F
(n+1CH)	0x0000
to	
(n+15CH)	

Values are expressed as shown at right when executed correctly.

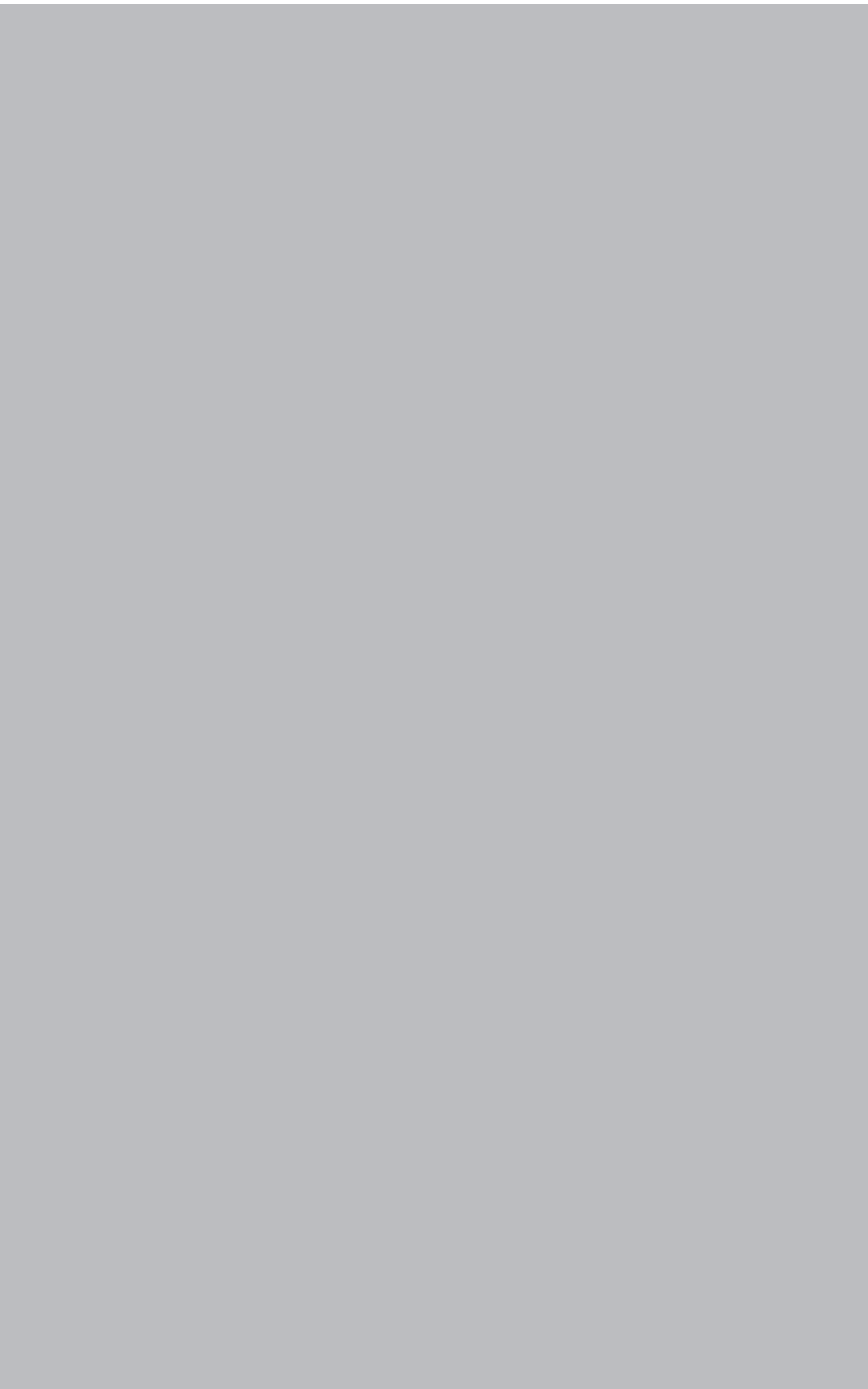
Axis 1 : 1 (Return-to-origin complete)
 Axis 2 : 1 (Return-to-origin complete)
 Axis 3 : 0 (Return-to-origin incomplete)
 Axis 4 : 1 (Return-to-origin complete)
 Axis 5 : 9 (no axis)
 Axis 6 : 9 (no axis)
 Axis 7 : 9 (no axis)
 Axis 8 : 9 (no axis)

Channel	Value
(mCH)	0x0200
(m+1CH)	0x0000
(m+2CH)	0x0001
(m+3CH)	0x0001
(m+4CH)	0x0000
(m+5CH)	0x0001
(m+6CH)	0x0009
(m+7CH)	0x0009
(m+8CH)	0x0009
(m+9CH)	0x0009
(m+10CH)	0x0000
to	
(m+15CH)	

MEMO

Contents

1. IO command format	3-1
2. Sending and receiving IO commands	3-3
3. IO command list	3-5
4. IO command description	3-6
4.1 MOVE command	3-6
4.1.1 PTP designation	3-6
4.1.2 Linear interpolation	3-6
4.2 MOVEI command	3-7
4.2.1 PTP designation	3-7
4.3 Pallet movement command	3-8
4.3.1 PTP designation	3-8
4.4 Jog movement command	3-8
4.5 Inching movement command	3-9
4.6 Point teaching command	3-9
4.7 Absolute reset movement command	3-10
4.8 Absolute reset command	3-10
4.9 Return-to-origin command	3-11
4.10 Servo command	3-11
4.11 Manual speed change command	3-12
4.12 Auto speed change command	3-12
4.13 Program speed change command	3-13
4.14 Shift designation change command	3-13
4.15 Hand designation change command	3-13
4.16 Arm designation change command	3-14
4.17 Point display unit designation command	3-14



1. IO command format

Using bit information from the SI/SO port on the DeviceNet compatible module allows issuing commands directly from the PLC. It is now possible to execute commands such as the MOVE command that were impossible to execute up until now without using the robot program or RS-232C port.



CAUTION

To use remote commands, the "Remote cmd / IO cmd (SI05)" parameter in **SYSTEM > PARAM > OP.BRD** mode must be set to "VALID" in advance. Refer to the DeviceNet user's manual and controller user's manual for more details.

The following features are assigned to each IO.

Output (Controller → PLC)		Input (Controller ← PLC)	
Output por	Contents	Input port	Contents
SO16	Execution check output	SI05	IO command execution trigger input
SO17	Execution in-progress output	SI2()	Command code
		SI3()	Command data
		SI4()	



CAUTION

IO size ("Large" or "Small") setting is only supported by the controllers using the following software versions:

RCX14x: Ver. 8.63 onwards RCX22x: Ver. 9.09 onwards RCX240: all versions
 The IO size for earlier version controllers is the same as the "Large" setting



NOTE

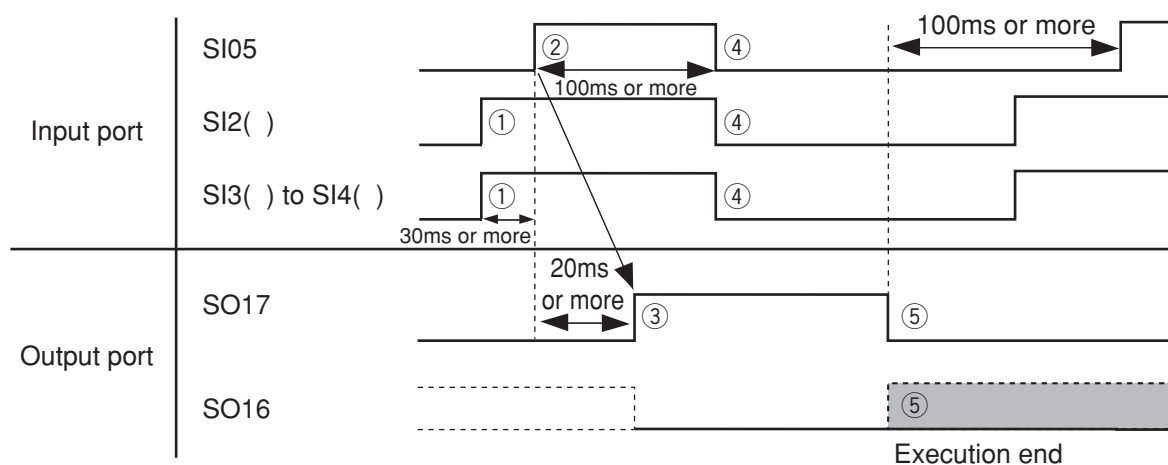
When the IO size is set to "Small", input ports SI0() to SI3() can be used. The IO size can be set by option board parameter. Refer to the DeviceNet user's manual for more details.

- IO commands cannot be executed simultaneously with remote commands.
- Commands cannot be executed unless the status is ready to accept commands (0x0000).
- When the IO size is set to "Small", all of SI4() are recognized as OFF.
- IO commands cannot be executed while program execution is in progress (SO13 is ON).
- IO commands cannot be executed simultaneously with on-line commands.
- IO commands assign command codes to be executed to SI2(), and command data to SI3() and SI4(). These are executed when the SI05 is changed from OFF to ON. The controller processes the IO commands when they are received and sends execution check results and execution in-progress information to the PLC via SO16 and SO17.
- Command data added to the IO commands will differ according to the IO command. See detailed information available on the IO commands. Command data settings must always be made before attempting to set the IO commands.

- Data is set in binary code. If the data size is greater than 8 bits, set the upper bit data into the higher address. (little endian)
For example, to set 0x0F9F [hexadecimal] (=3999) in the SI13 () and SI14 () ports, set 0x0F [hexadecimal] in SI4 () and set 0x9F [hexadecimal] in SI13 ().
- The IO command execution trigger is disabled when the execution in-progress output SO17 is ON.
- The execution in-progress output SO17 is ON in the following cases.
 - When an IO command is running after receiving IO command execution trigger input.
 - When an IO command is terminated after receiving IO command execution trigger input yet a maximum of 100ms state is maintained when IO command trigger input is ON.
- The IO command trigger input pulse must always be maintained for 100ms or more during input. Commands cannot be accepted if this state is not maintained.
- Sometimes 20ms or more is needed for the execution in-progress output SO17 to turn ON after startup (rising edge) of the IO command trigger input pulse. The IO command trigger input might not be accepted during this period.
- After inputting the IO command trigger input pulse and the in-progress output turns OFF, at least a 100ms time period must always elapse before executing the next command. If this elapsed time period is too small, the IO command execution trigger input might not be accepted.
- The execution check output SO16 turns OFF when an IO command is received.
- The execution check output SO16 turns ON when an IO command ended correctly, but stays OFF if an IO command ended abnormally.

2. Sending and receiving IO commands

Sending and receiving is performed in the IO register as shown below.



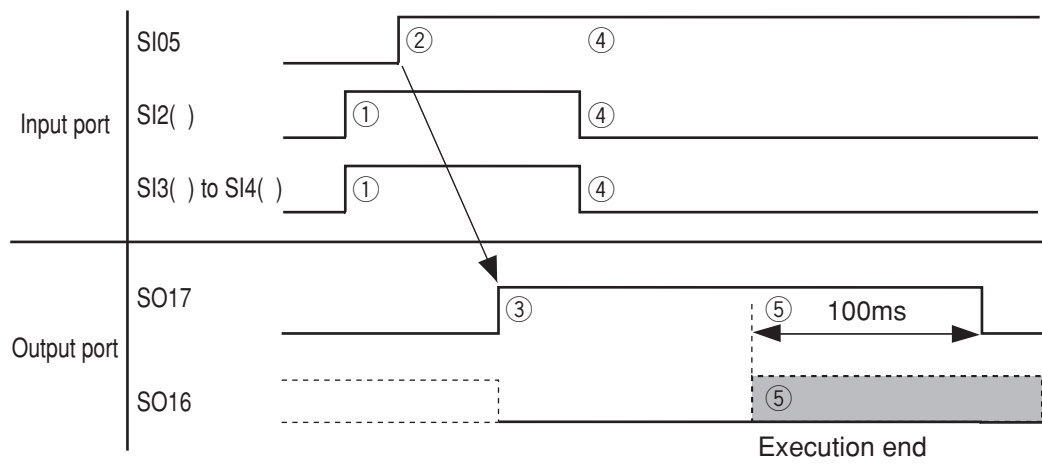
- ① Set command code and command data (Time interval between ① and ②: 30ms or more)
- ② Set IO command execution trigger input (Pulse width: 100ms or more)
- ③ Transition to execute
- ④ Clear the IO command trigger input and command code and command data
- ⑤ Set termination of IO command and execution check output

Example : Follow these steps when sending and receiving IO commands to execute the PTP movement command to point 19.

- ① Set the following values in the register to execute the PTP movement command by designating a point.
 - SI2 () : Command code (0x01)
 - SI3 () : Lower point setting (0x13= point 19)
 - SI4 () : Upper point setting (0x00=point 19)
- ② Set to ON after SI05 turns OFF.
- ③ The controller receives the IO command and executes it if the command and command data are acceptable. The in-progress output (SO17) turns ON and the execution check output (SO16) is turned OFF at this time. The robot moves to the position specified by point 19.
- ④ Clear SI2 () through SI4 () after checking that in-progress output (SO17) is ON.
- ⑤ The command has ended so in-progress output (SO17) turns OFF and execution check output (SO16) turns ON if command ended correctly, and turns OFF if the command failed.

2. Sending and receiving IO commands

* If SI05 was not set to OFF in ④, the in-progress output (SO17) remains ON for a maximum of 100ms from the timing in ⑤.



3. IO command list

IO commands are expressed with hexadecimal codes.

No.	Command contents		Command code (SI2())	
			Main robot	Sub robot
1	MOVE command	PTP point designation	0x01	0x81
		Linear interpolation	0x03	0x83
2	MOVEI command	PTP designation	0x09	0x89
3	Pallet movement command	PTP designation at pallet 0	0x18	0x98
4	Jog movement command		0x20	0xA0
5	Inching movement command		0x24	0xA4
6	Point teaching command		0x28	0xA8
7	Absolute reset movement command		0x30	0xB0
8	Absolute reset command		0x31	0xB1
9	Return-to-origin command		0x32	0xB2
10	Servo command	On designation	0x34	0xB4
		Off designation	0x35	0xB5
		Free designation	0x36	0xB6
		Power-on designation	0x37	
11	Manual movement speed command		0x38	0xB8
12	Auto movement speed command		0x39	0xB9
13	Program speed change command		0x3A	0xBA
14	Shift designation change command		0x3B	0xBB
15	Hand designation change command		0x3C	0xBC
16	Arm designation change command		0x3D	0xBD
17	Point display unit designation command		0x3E	

* The pallet movement command (3) is only valid for pallet 0.

* The movement methods on the jog movement command (4) and inching movement command (5) will differ according to the point units that were specified.

* The point teaching command (6) uses different point units according to the point units that were specified.

* If no axis is specified, the absolute reset command (8) is executed on all axes (main robot + sub robot) in either case of command code 0x31 or 0xB1.

* If no axis is specified, the return-to-origin command (9) is executed on all axes (main robot + sub robot) in either case of command code 0x32 or 0xB2.

* The point display unit designation command (17) is for use on the controller.



NOTE

- In the MOVE command, linear interpolation (0x83) for sub robot is only available on the following software versions.

RCX14x: Ver. 8.64 onwards RCX22x: Ver. 9.11 onwards RCX240: all versions

- On controllers (RCX14x) whose software version is earlier than 8.45, the return-to-origin command is always executed on all axes (main robot + sub robot) and command code 0x32 can only be used.

4. IO command description

4.1 MOVE command

Execute this command group to move the robot to an absolute position.

4.1.1 PTP designation

This command moves the robot to a target position in PTP motion by specifying the point number.

■ Command

SI port	Contents		Value
SI2()	Command code	For main robot	0x01
		For sub robot	0x81
SI3()	Point number		0xpppp
SI4()			

pppp : Specify the point number in 16 bits.
Specified range: 0 (=0x0000) to 9999 (=0x270F)



CAUTION

- In the RCX40 controllers whose software version is earlier than 8.28, point numbers from 0 to 4000 can be specified.
- The point number setting range is 0 to 255 when there is no SI4().



NOTE

When a SCARA robot is used and a hand system flag is set for the point data you specify, that hand system has priority over the current arm type.

4.1.2 Linear interpolation

This command moves the robot to a target position by linear interpolation by specifying the point number.



NOTE

In the MOVE command, linear interpolation (0x83) for sub robot is only available on the following software versions.

RCX14x: Ver. 8.64 onwards RCX22x: Ver. 9.11 onwards RCX240: all versions

■ Command

SI port	Contents		Value
SI2()	Command code	For main robot	0x03
		For sub robot	0x83
SI3()	Point number		0xpppp
SI4()			

pppp : Specify the point number in 16 bits.
Specified range: 0 (=0x0000) to 9999 (=0x270F)



CAUTION

- In the RCX40 controllers whose software version is earlier than 8.28, point numbers from 0 to 4000 can be specified.
- The point number setting range is 0 to 255 when there is no SI4().
- When moving the robot by linear interpolation to a point where a hand system flag is specified, make sure that the same hand system is used at the current position and target position. If the same hand system is not used, then an error will occur and robot movement will not be allowed.



NOTE

When a SCARA robot is used and a hand system flag is set for the point data you specify, that hand system has priority over the current arm type.

4.2 MOVEI command

Execute this command group to move the robot to a relative position.

4.2.1 PTP designation

This command moves the robot a specified distance in PTP motion by specifying the point number.



NOTE

- If the MOVEI command is interrupted and then re-executed in the controller versions shown below, the resumed motion can occur either to the original target position, or to a new target position referenced to the current position, in accordance with the "MOVEI/DRIVEI start position" setting selected at the other parameters. For details, refer to the controller user's manual.
RCX14x: Ver. 8.66 onwards RCX22x: Ver. 9.13 onwards RCX240: all versions
- The other parameters default "MOVEI/DRIVEI start position" setting is Keep (motion to the original target position when MOVEI is interrupted and then re-executed).
- In controller versions prior to those shown above, motion occurs to a new target position referenced to the current position when MOVEI is interrupted and then re-executed.

■ Command

SI port	Contents		Value
SI2()	Command code	For main robot	0x09
		For sub robot	0x89
SI3() SI4()	Point number		0xpppp

pppp : Specify the point number in 16 bits.
Specified range: 0 (=0x0000) to 9999 (=0x270F)



CAUTION

- In the RCX40 controllers whose software version is earlier than 8.28, point numbers from 0 to 4000 can be specified.
- The point number setting range is 0 to 255 when there is no SI4().



NOTE

When a SCARA robot is used and a hand system flag is set for the point data you specify, that hand system has priority over the current arm type.

4.3 Pallet movement command

Execute this command group to move the robot to a position with respect to pallet 0.

4.3.1 PTP designation

This command moves the robot to a target position in PTP motion by specifying the work position number.

■ **Command**

SI port	Contents		Value
SI2()	Command code		For main robot
			For sub robot
SI3()	Work position number		0xwww
SI4()			

www : Specify the work position number in 16 bits.
Specified range: 1 (=0x0001) to 32767 (=0x7FFF)



CAUTION

If SI4() is not present, then the specified range of the work position number will be 0 to 255.

4.4 Jog movement command

This command moves the robot in jog mode while in MANUAL mode. This command is only valid in MANUAL mode. This command is linked with the controller point display units. The robot axis moves in PTP motion when display units are in pulses, and moves by linear interpolation on Cartesian coordinates when units are in millimeters. Jog speed is determined by the MANUAL speed.

To stop the jog movement command, set the dedicated input interlock signal (SI11) to OFF. After checking that jog movement has stopped, set the interlock signal back to ON.

■ **Command**

SI port	Contents		Value
SI2()	Command code		For main robot
			For sub robot
SI3()	Axis to move and direction	bit 0	Axis 1
		bit 1	Axis 2
		bit 2	Axis 3
		bit 3	Axis 4
		bit 4	Axis 5
		bit 5	Axis 6
		bit 6	(0:Fixed)
	bit 7	Direction	d
SI4()	Not used		0x00

tt : Specify the axis to move in 0 to 3 bits. Only one axis can be specified.

d : Specify the movement direction in 1 bit.

Value	Meaning
0	+ direction
1	- direction

4.5 Inching movement command

Execute this command to move the robot by inching in MANUAL mode. Inching movement distance is linked to the manual movement speed. The inching command can only be executed in MANUAL mode.

This command is linked with the controller's point display unit system. So when display units are in pulses, the axis moves a certain number of pulses at the manual speed setting. When display units are in millimeters, the axis moves on Cartesian coordinates by linear interpolation at the manual speed setting divided by 100.

■ Command

SI port	Contents		Value
SI2()	Command code		For main robot
			For sub robot
SI3()	Axis to move and direction	bit 0	Axis 1
		bit 1	Axis 2
		bit 2	Axis 3
		bit 3	Axis 4
		bit 4	Axis 5
		bit 5	Axis 6
		bit 6	(0:Fixed)
		bit 7	Direction
SI4()	Not used		0x00

tt : Specify the axis to move in 0 to 3 bits. Only one axis can be specified.

d : Specify the movement direction in 1 bit.

Value	Meaning
0	+ direction
1	- direction

4.6 Point teaching command

Execute this command to teach the current robot position to the specified point number. Point data units of this command are linked to the controller's point display unit system.

■ Command

SI port	Contents		Value
SI2()	Command code		For main robot
			For sub robot
SI3()	Point number		0xpppp
SI4()			

pppp : Specify the point number in 16 bits.
Specified range: 0 (=0x0000) to 9999 (=0x270F)



CAUTION

- In RCX40 controllers whose software version is earlier than 8.28, point numbers from 0 to 4000 can be specified.
- The point number setting range is 0 to 255 when there is no SI4().

4.7 Absolute reset movement command

When absolute reset of the specified axis uses the mark method, this command moves the axis to the nearest position where absolute reset can be executed. Positions capable of absolute reset are located at every 1/4 rotation of the motor.

■ Command

SI port	Contents		Value	
SI2()	Command code		For main robot	0x30
			For sub robot	0xB0
SI3()	Axis to move and direction	bit 0	Axis 1	tt
		bit 1	Axis 2	
		bit 2	Axis 3	
		bit 3	Axis 4	
		bit 4	Axis 5	
		bit 5	Axis 6	
		bit 6	(0:Fixed)	0
bit 7	Direction	d		
SI4()	Not used		0x00	

tt : Specify the axis to move in 0 to 3 bits. Only one axis can be specified.

d : Specify the movement direction in 1 bit.

Value	Meaning
0	+ direction
1	- direction

4.8 Absolute reset command

This command executes absolute reset of the specified axis. When absolute reset of the specified axis uses the mark method, the axis must be at a position where absolute reset can be executed. If no axis is specified (SI3() is 0), then absolute reset is performed on all axes (main robot + sub robot) in either case of command code 0x31 or 0xB1. However, this command cannot be executed if return-to-origin is not yet complete on the axis using the mark method. In this case, perform return-to-origin individually on each axis.

■ Command

SI port	Contents		Value	
SI2()	Command code		For main robot	0x31
			For sub robot	0xB1
SI3()	Specified axis	bit 0	Axis 1	tt
		bit 1	Axis 2	
		bit 2	Axis 3	
		bit 3	Axis 4	
		bit 4	Axis 5	
		bit 5	Axis 6	
	bit 7-bit 6	(0:Fixed)	0	
SI4()	Not used		0x00	

tt : Specify the axis to perform absolute reset in 0 to 3 bits. Only one axis can be specified.

If no particular axis is specified then absolute reset is performed on all axes (main robot + sub robot).

4.9 Return-to-origin command

This command executes return-to-origin on the specified axis.

When this command is executed, return-to-origin is performed on an incremental mode axis and absolute search is performed on a semi-absolute mode axis. If no axis is specified (SI3() is 0), this command is performed on all axes (main robot + sub robot) in either case of command code 0x32 or 0xB2.



CAUTION

- The return-to-origin command is only available from software version 8.33 onwards (RCX14x).
- Axes can be specified with the return-to-origin command only from software version 8.45 onwards (RCX14x). On earlier version controllers, the return-to-origin command is always performed on all axes and command code 0x32 can only be used.

■ Command

SI port	Contents		Value	
SI2()	Command code		For main robot	0x32
			For sub robot	0xB2
SI3()	Specified axis	bit 0	Axis 1	tt
		bit 1	Axis 2	
		bit 2	Axis 3	
		bit 3	Axis 4	
		bit 4	Axis 5	
		bit 5	Axis 6	
		bit 7-bit 6	(0:Fixed)	0
SI4()	Not used		0x00	

tt : Specify the axis to perform return-to-origin in 0 to 3 bits.
Only one axis can be specified.
If no particular axis is specified then return-to-origin is performed on all axes (main robot + sub robot).

4.10 Servo command

Execute this command group to operate the robot servos.

Servo ON :

Execute this command to turn on the servo of a specified axis. The motor power must be turned on when specifying the axis. All controller servos are turned on if no axis is specified.

Servo OFF :

Execute this command to turn off the servo of a specified axis. All controller servos are turned off if no axis is specified.

Servo Free :

Execute this command to turn off the mechanical brake and dynamic brake after turning off the servo of a specified axis. Servo OFF and Free are repeated when this command is consecutively executed.

Power ON:

Execute this command to turn on the motor power. No axis can be specified.

■ Command

SI port	Contents		Value		
SI2()	Command code	Servo ON	For main robot	0x34	
			For sub robot	0xB4	
		Servo OFF	For main robot	0x35	
			For sub robot	0xB5	
		Servo Free	For main robot	0x36	
For sub robot	0xB6				
SI3()	Specified axis	Power ON		All controller servos	0x37
		bit 0	Axis 1	tt	
		bit 1	Axis 2		
		bit 2	Axis 3		
		bit 3	Axis 4		
		bit 4	Axis 5		
		bit 5	Axis 6		
SI4()	Not used	bit 7-bit 6	(0:Fixed)	0	0x00

tt : Specify the axis to move in 0 to 3 bits. All controller servos are processed if no axis is specified. No axis can be specified when executing Power ON.

4.11 Manual speed change command

Execute this command to change the manual movement speed in MANUAL mode. This command can only be executed in MANUAL mode.

■ Command

SI port	Contents		Value
SI2()	Command code	For main robot	0x38
		For sub robot	0xB8
SI3()	Specified speed		0xss
SI4()	Not used		0x00

ss : Specify the manual movement speed in 8 bits.
Specified range: 1 (=0x01) to 100 (=0x64)

4.12 Auto speed change command

Execute this command to change the auto movement speed in AUTO mode.

■ Command

SI port	Contents		Value
SI2()	Command code	For main robot	0x39
		For sub robot	0xB9
SI3()	Specified speed		0xss
SI4()	Not used		0x00

ss : Specify the auto movement speed in 8 bits.
Specified range: 1 (=0x01) to 100 (=0x64)

4.13 Program speed change command

Execute this command to change the program speed in AUTO mode. The program speed changed with this command is reset to 100% when the program is reset or changed.

■ Command

SI port	Contents		Value
SI2()	Command code	For main robot	0x3A
		For sub robot	0xBA
SI3()	Specified speed		0xss
SI4()	Not used		0x00

ss : Specify the program speed in 8 bits.
Specified range: 1 (=0x01) to 100 (=0x64)

4.14 Shift designation change command

Execute this command to change the selected shift to a specified shift number.

■ Command

SI port	Contents		Value
SI2()	Command code	For main robot	0x3B
		For sub robot	0xBB
SI3()	Specified shift number		0xss
SI4()	Not used		0x00

ss : Specify the shift number in 8 bits.
Specified range: 0 (=0x00) to 9 (0x09)

4.15 Hand designation change command

Execute this command to change the selected hand to a specified hand number.

■ Command

SI port	Contents		Value
SI2()	Command code	For main robot	0x3C
		For sub robot	0xBC
SI3()	Specified hand number		0xss
SI4()	Not used		0x00

ss : Specify the hand number in 8 bits.
Specified range for main robot : 0 (=0x00) to 3 (0x03)
Specified range for sub robot : 4 (=0x04) to 7 (0x07)

4.16 Arm designation change command

Execute this command to change the arm designation status.

■ Command

SI port	Contents		Value
SI2()	Command code	For main robot	0x3D
		For sub robot	0xBD
SI3()	Status of specified arm		0xss
SI4()	Not used		0x00

ss : Specify the arm designation status in 8 bits.

Value	Meaning
0x00	Right-handed system
0x01	Left-handed system

4.17 Point display unit designation command

Execute this command to change the point display unit.

■ Command

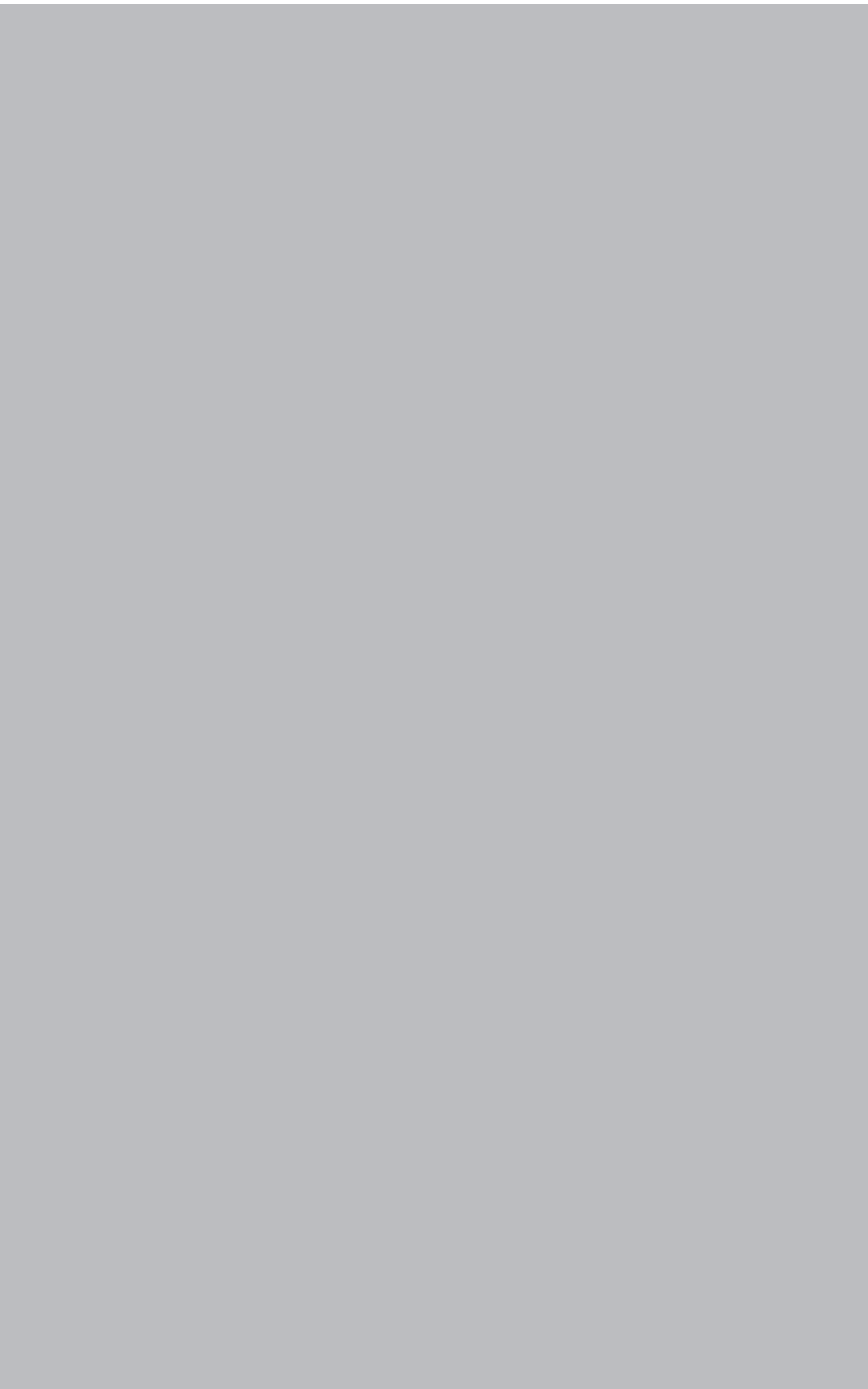
SI port	Contents		Value
SI2()	Command code	For main robot	0x3E
		For sub robot	
SI3()	Display units for specified point		0xss
SI4()	Not used		0x00

ss : Specify the point display unit in 8 bits.

Value	Meaning
0x00	Pulse units
0x01	Millimeter units
0x02	Millimeter units (Tool coordinates)

Contents

1. Definition of terms	4-1
-------------------------------	------------



1. Definition of terms

1. DeviceNet

DeviceNet is a registered trademark of ODVA (Open DeviceNet Vendor Association).

2. SAFE mode setting

This setting enables service mode and allows setting limits on items such as speed limits during MANUAL mode.

Always make the SAFE mode settings for items with CE markings.

3. Service mode

This mode is activated by making the SAFE mode setting. Service mode is controlled by the service mode input signal.

4. SAFETY connector

This is a controller connector for supplying the emergency stop and service mode signals.

5. STD.DIO connector

This is a controller connector for supplying dedicated IO and general-purpose IO signals.

6. Bit information

Bit data exchanged between the master module and the controller.

7. Word information

Word data exchanged between the master module and the controller.

8. Little endian

Method that assigns the LSB (least significant bit) to the lower address in the memory when handling word information data as double word data. For example, when assigning a value such as 0x00012345 to SOD (2), 0x2345 is assigned to the first word of SOW (2), and 0x0001 is assigned to the second word of SOW (3).

9. MAC ID

Identification number assigned to each node in DeviceNet. Also called the node address.

Revision record

Manual version	Issue date	Description
Ver.1.03	Jul. 2007	Addition of return-to-origin command to remote command and IO command. Modification of status for jog movement command (Remote command). Addition of comment regarding RCX22 series. Clerical error corrections, etc.
Ver.1.04	Sep. 2007	Addition of linear interpolation and circular interpolation commands (MOVE command) for sub robots. Addition of descriptions regarding semi-absolute type axes. Clerical error corrections, etc.
Ver.1.05	Oct. 2007	Addition of description about "MOVEI/DRIVEI start position" parameter. Clerical error corrections, etc.
Ver.1.06	Jun. 2009	Addition of description about Direct PTP designation (millimeter units) for MOVE command. Wording of controller name was changed, etc.
	Sep. 2011	The manual's version number was changed to match that for the Japanese manual.
Ver. 1.08	Sep. 2011	Addition of explanation of Axis-5 and -6 to the axis-specifying command. Addition of Axis-5 and -6 data to the status of axis-moving command. Correction of command code (3 places). Addition of NOTE to the message reference command.

Command Reference Manual

YAMAHA RCX series
Robot Controller **DeviceNet**
network board

Sep. 2011

Ver. 1.08

This manual is based on Ver. 1.08 of Japanese manual.

© YAMAHA MOTOR CO., LTD.
IM Operations

All rights reserved. No part of this publication may be reproduced in any form without the permission of YAMAHA MOTOR CO., LTD. Information furnished by YAMAHA in this manual is believed to be reliable. However, no responsibility is assumed for possible inaccuracies or omissions. If you find any part unclear in this manual, please contact YAMAHA or YAMAHA sales representatives.