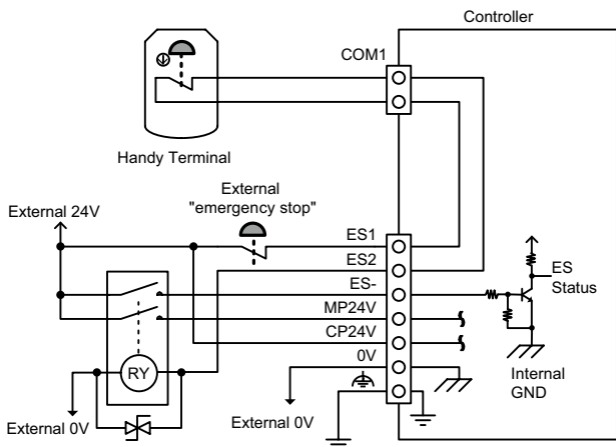


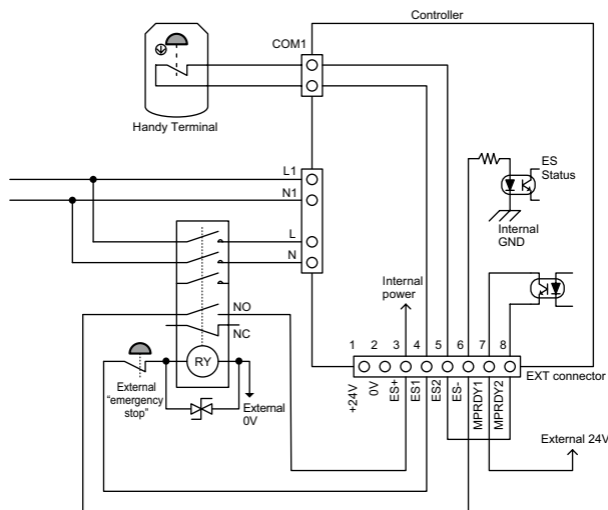
Emergency stop circuit example

TS-S2/TS-SH (power connector and host unit connection example)



Note. Always connect a surge absorber unit to the coil on the electromagnetic contactor.

TS-X/TS-P (EXT connector and host unit connection example)



Note. Always connect a surge absorber unit to the coil on the electromagnetic contactor.

Installing an external safety circuit will satisfy safety category class 4 standards. See P.645 for more information.