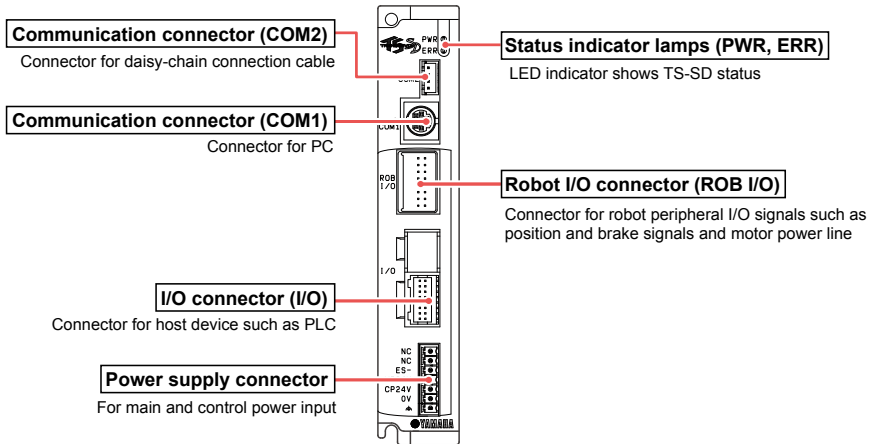


## Part names



## Dimensions

