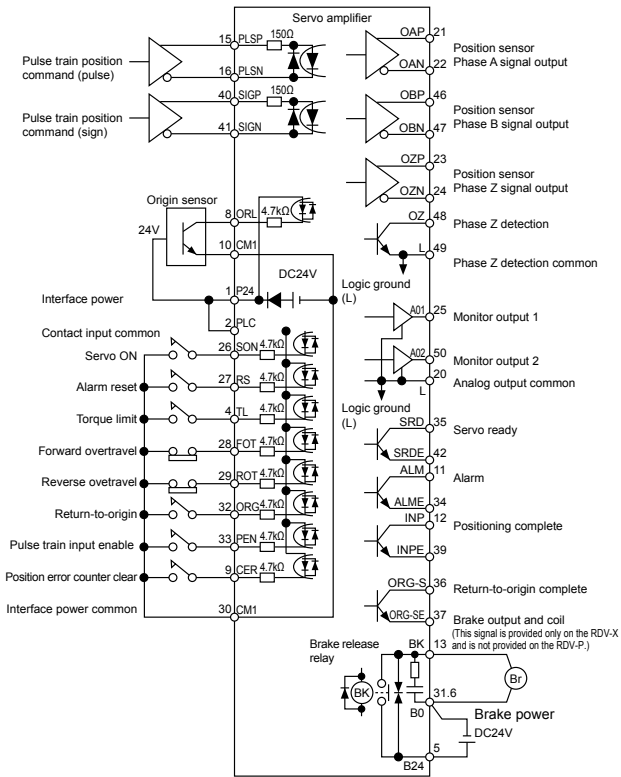


Input / output signal connection diagram



* The above diagram shows a sink type output module using a power supply for internal input.