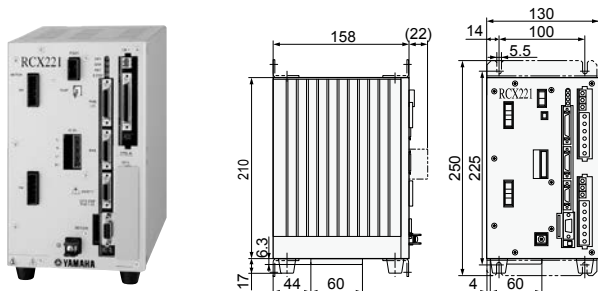
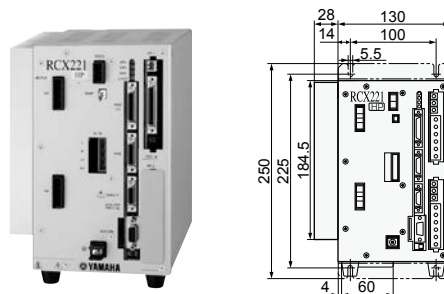


## Dimensions

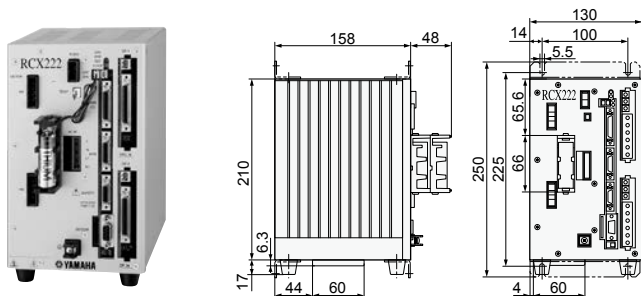
### RCX221



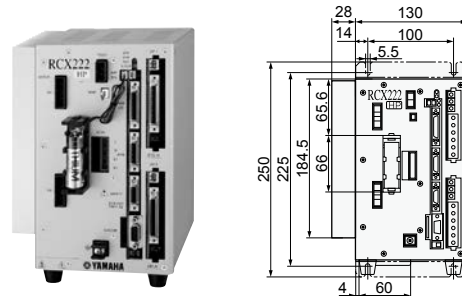
### RCX221HP



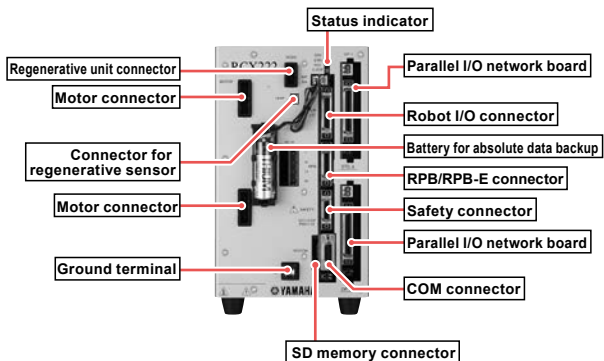
### RCX222



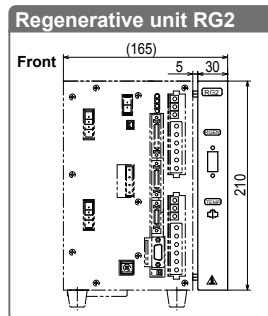
### RCX222HP



## Part names



## Regenerative unit RG2



## Basic specifications

Item	RG2
Model	KAS-M4130-00 (including cable supplied with unit)
Dimensions	W35 × H210 × D158mm
Weight	0.8kg
Regenerative voltage	Approx. 380V or more
Regenerative stop voltage	Approx. 360V or less
Accessory	Cable for connection with controller (300mm)

Note. Depth (D) is 158mm.  
Installs on the right side of the RCX221 (HP), RCX222 (HP). Cannot be installed as a separate unit.

Note. Installs on the right side of the RCX221 (HP), RCX222 (HP). Cannot be installed as a separate unit.

Note. Photograph shows RCX222. The component names on the RCX221 are the same but it does not come with an absolute backup battery.