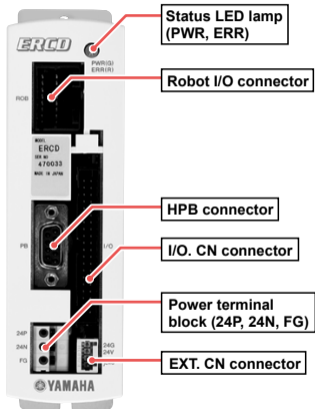


■ Part names



■ Dimensions

